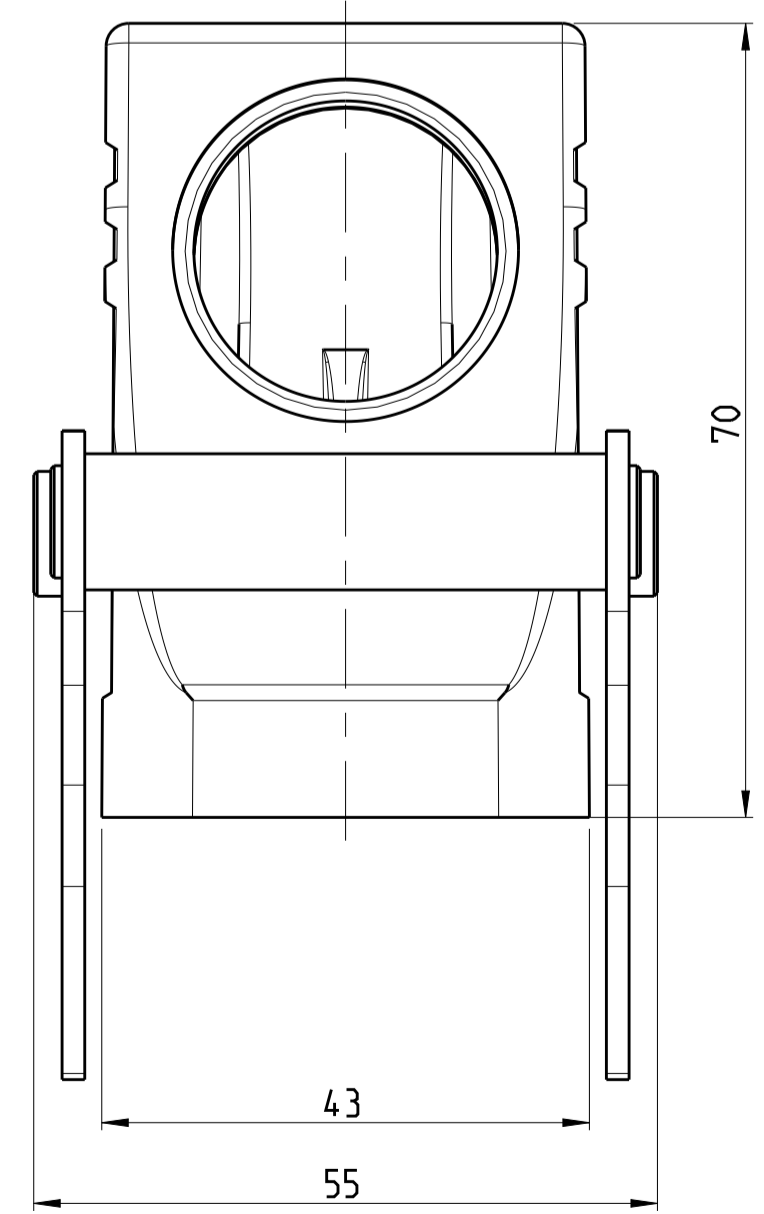
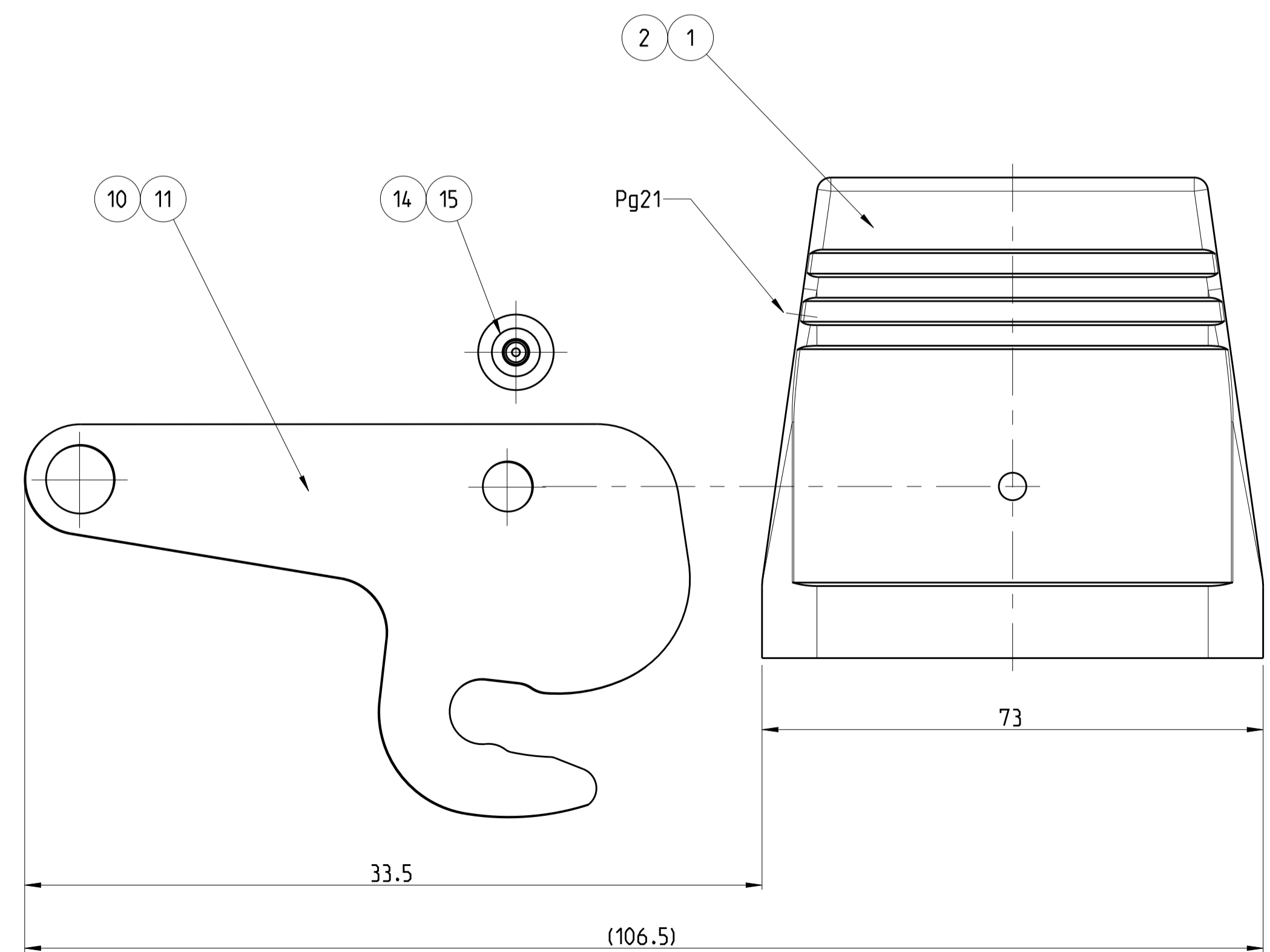
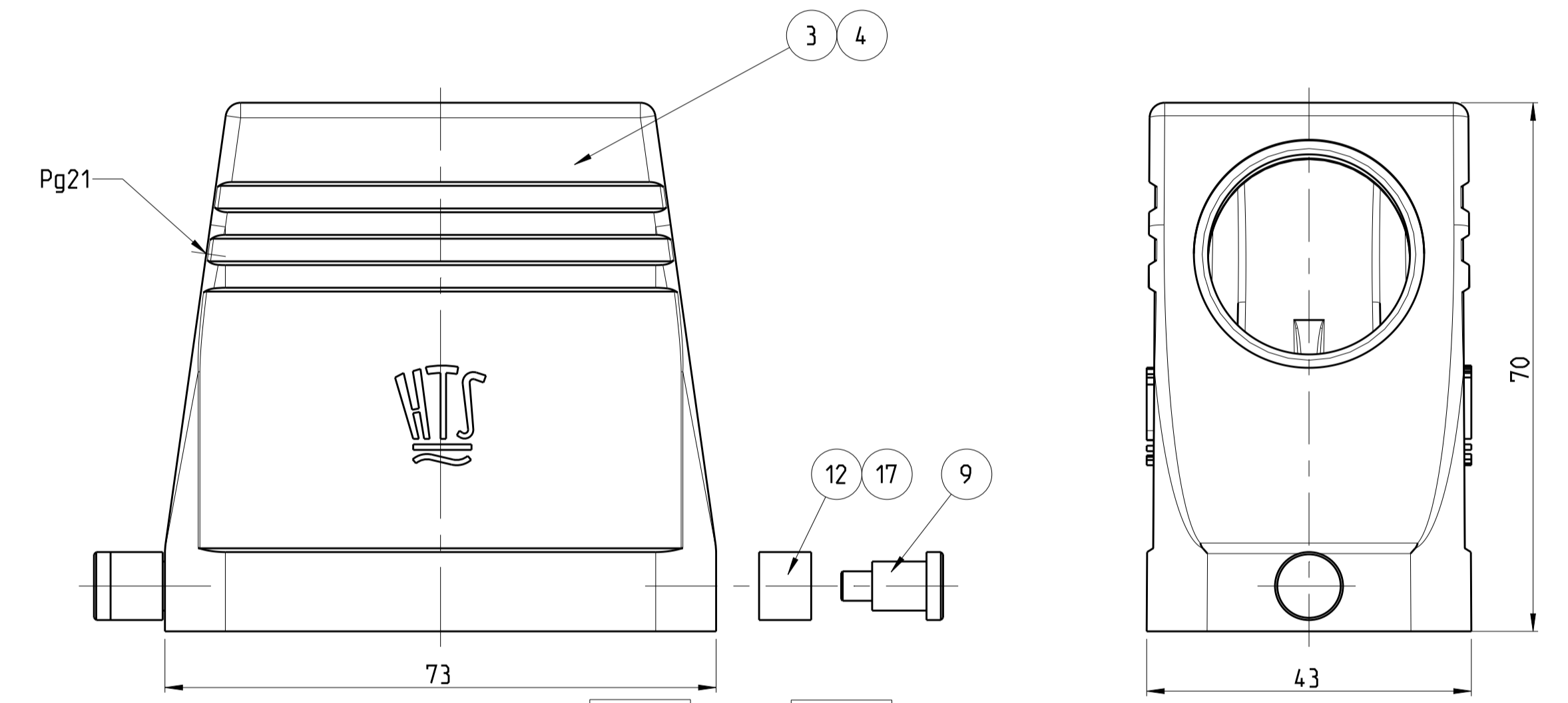
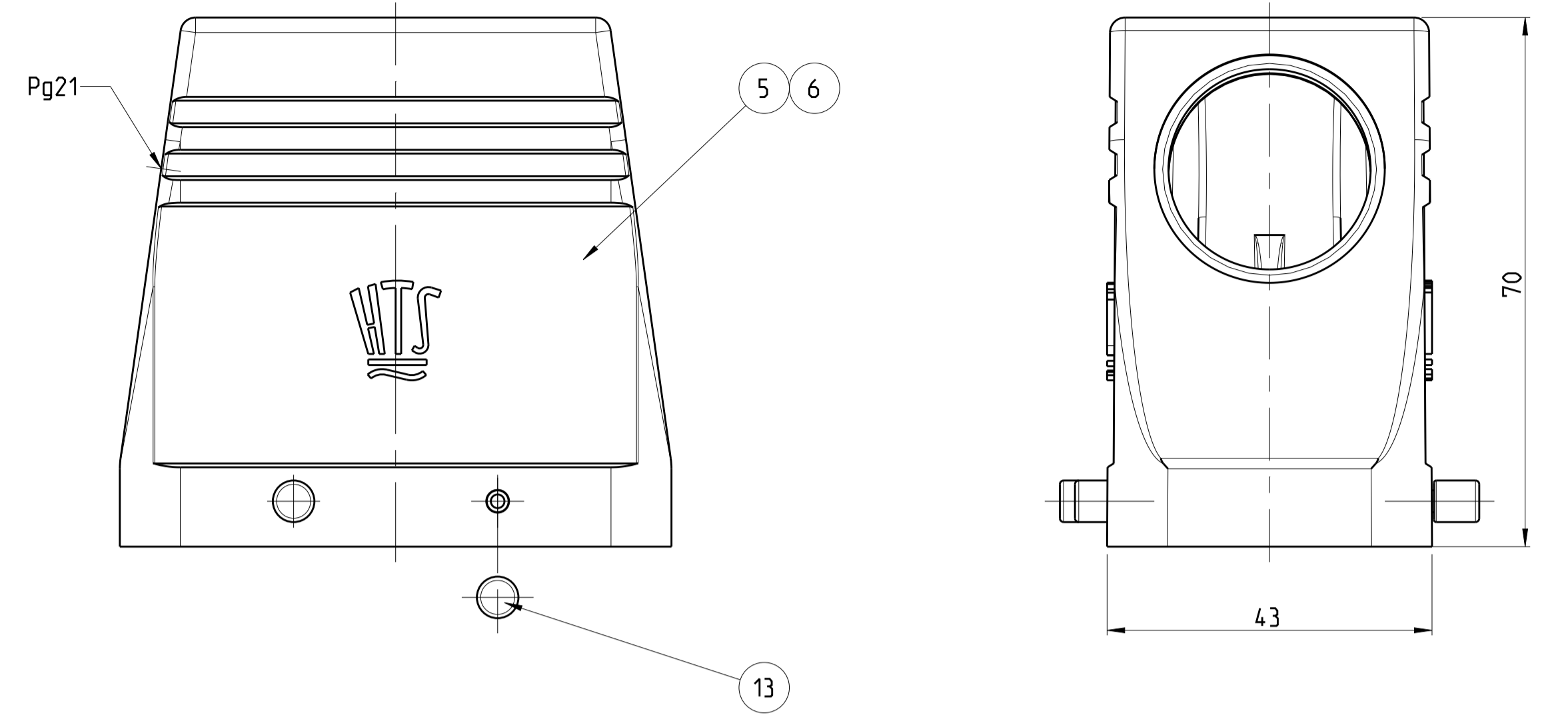
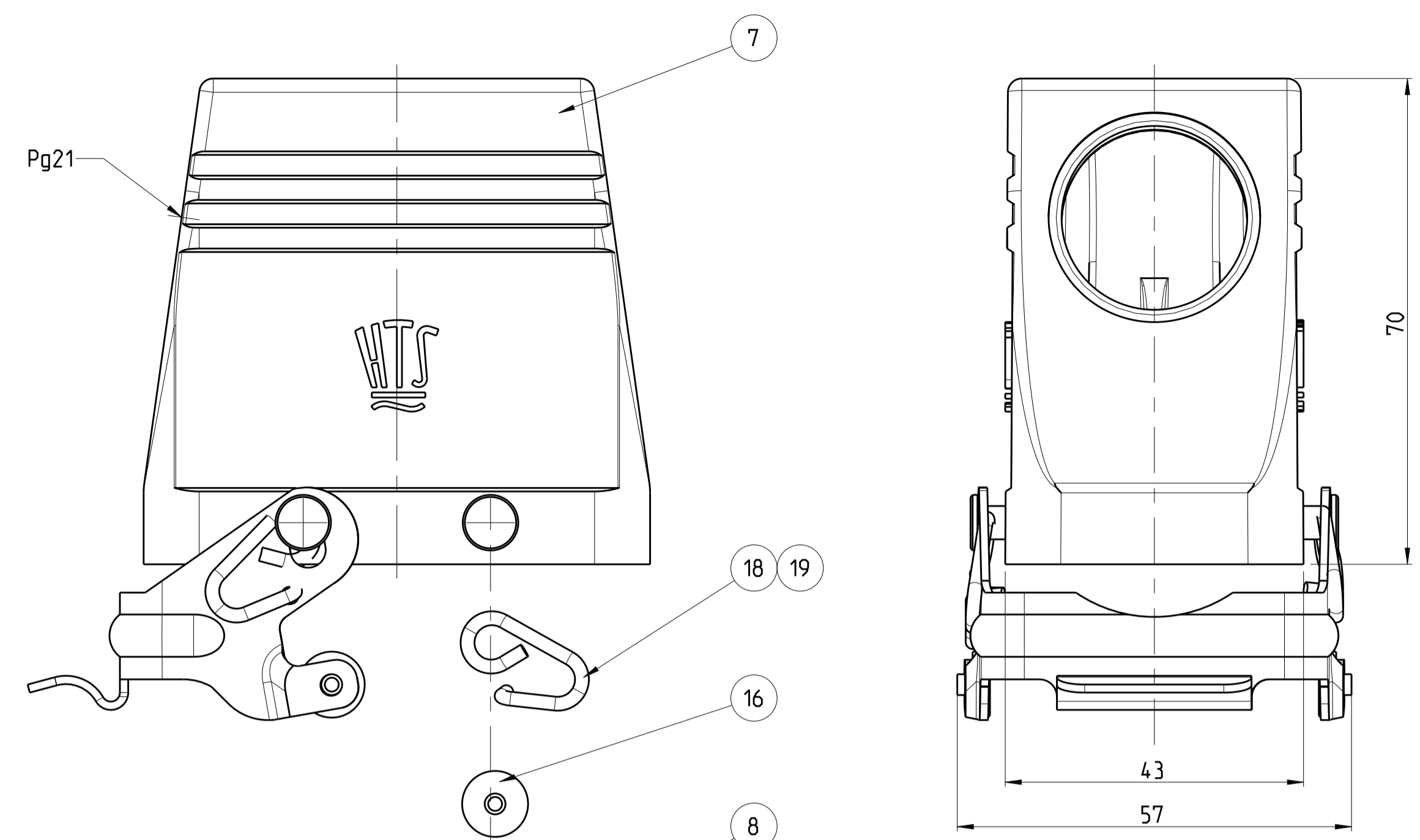


| LOC | | DIST | | REVISIONS | | | |
|-----|---------------|-------------|-------------|-----------|------|--|--|
| P | LTR | DESCRIPTION | DATE | DWH | APVD | | |
| B1 | ECR-11-013858 | | 04 JUL 2011 | SR | PF | | |
| B2 | ECR-16-015318 | | 19 SEP 2017 | GR | MKO | | |
| B3 | ECR-16-016768 | | 15 NOV 2017 | GR | MKO | | |
| B4 | ECR-17-013084 | | 29 MAR 2018 | SG | MKO | | |



| QTY | DESCRIPTION | MATERIAL | SURFACE | COLOR | ITEM |
|-----|----------------------------|-----------------|----------------|-------|------|
| 2 | B ÜGELFEDER LINKS | FEDERSTAHLDRAHT | VERZINKT | | 19 |
| 2 | B ÜGELFEDER RECHTS | FEDERSTAHLDRAHT | VERZINKT | | 18 |
| 4 | GLEITROLLE | STAHL | VERZINKT | BLUE | 17 |
| 4 | B ÜGELHALTER | STAHL | VERZINKT | BLUE | 16 |
| 2 | B ÜGELHALTER ZENTRALB ÜGEL | V2A | | | 15 |
| 2 | B ÜGELHALTER ZENTRALB ÜGEL | STAHL | VERZINKT | BLUE | 14 |
| 2 | B ÜGELBOLZEN | V2A | | | 13 |
| 2 | B ÜGELBOLZEN | V2A | | | 12 |
| 2 | ZENTRAL-B ÜGEL | V2A | | | 11 |
| 1 | ZENTRAL-B ÜGEL | STAHL | VERZINKT | BLUE | 10 |
| 2 | LB-B ÜGEL | STAHL | VERZINKT | BLUE | 9 |
| 2 | VS-B ÜGEL | STAHL | VERZINKT | BLUE | 8 |
| 1 | HOOD HD .24 | ALUMINIUM/ALU | | GREY | 7 |
| 1 | HOOD HD .24 | ALUMINIUM/ALU | ALUMINIUM OXID | BLACK | 6 |
| 1 | HOOD HD .24 | ALUMINIUM/ALU | | GREY | 5 |
| 1 | HOOD HD .24 | ALUMINIUM/ALU | ALUMINIUM OXID | BLACK | 4 |
| 1 | HOOD HD .24 | ALUMINIUM/ALU | | GREY | 3 |
| 1 | HOOD HD .24 | ALUMINIUM/ALU | ALUMINIUM OXID | BLACK | 2 |
| 1 | HOOD HD .24 | ALUMINIUM/ALU | | GREY | 1 |
| 1-1 | DESCRIPTION | | | | |
| 2-6 | HD-Z.24.STS-ZB.1.21.G | | | | |
| 1-6 | HD-K.Z.24.STS-ZB.1.21.G | | | | |
| 2-7 | HD.24.STS-GR.1.21.G | | | | |
| 1-7 | HD-K.24.STS-GR.1.21.G | | | | |
| 2-3 | HD.24.STS.1.21.G | | | | |
| 1-3 | HD-K.24.STS.1.21.G | | | | |
| 1-3 | HD.24.STS-VS.1.21.G | | | | |

THIS DRAWING IS A CONTROLLED DOCUMENT. DWH: R. SCHNEIDER 04 JUL 2011
 CHE: T. SCHNURPEIL 04 JUL 2011

STE TE Connectivity

APVD: NAME: Hood HD.24
 ASSY HD.24.STS.1.21.G

DIMENSIONS: mm
 TOLERANCES UNLESS OTHERWISE SPECIFIED:
 0 PLC ±
 1 PLC ±
 2 PLC ±
 3 PLC ±
 4 PLC ±
 ANGLES ±
 FINISH

PRODUCT SPEC: -
 APPLICATION SPEC: -
 WEIGHT: -
 CUSTOMER DRAWING: -

SIZE: A1
 CAGE CODE: 00779
 DRAWING NO: 1102496

RESTRICTED TO: -
 SCALE: 5:1
 SHEET: 1 OF 1
 REV: B4