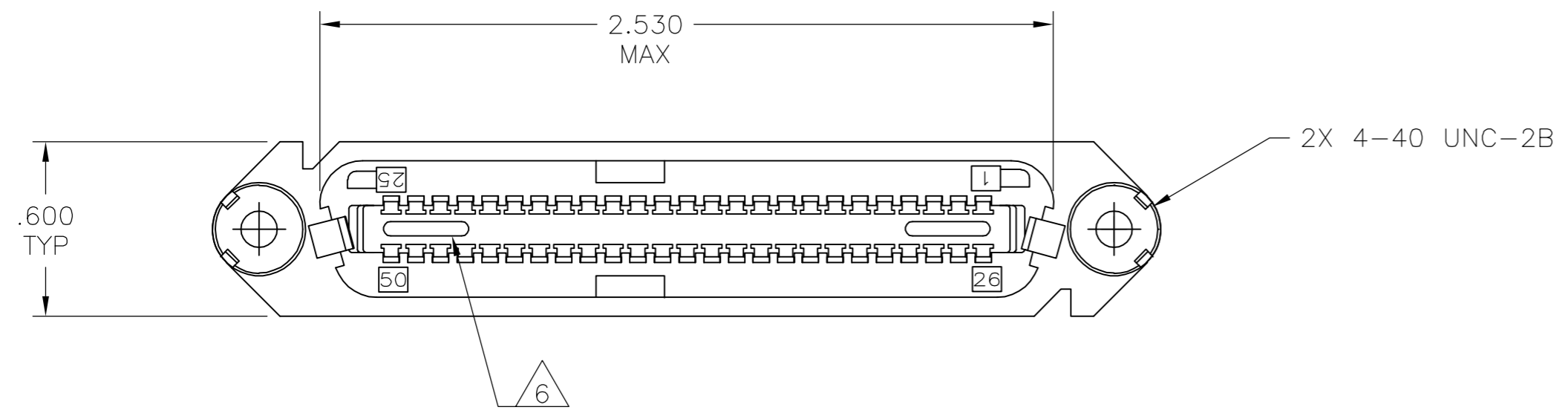
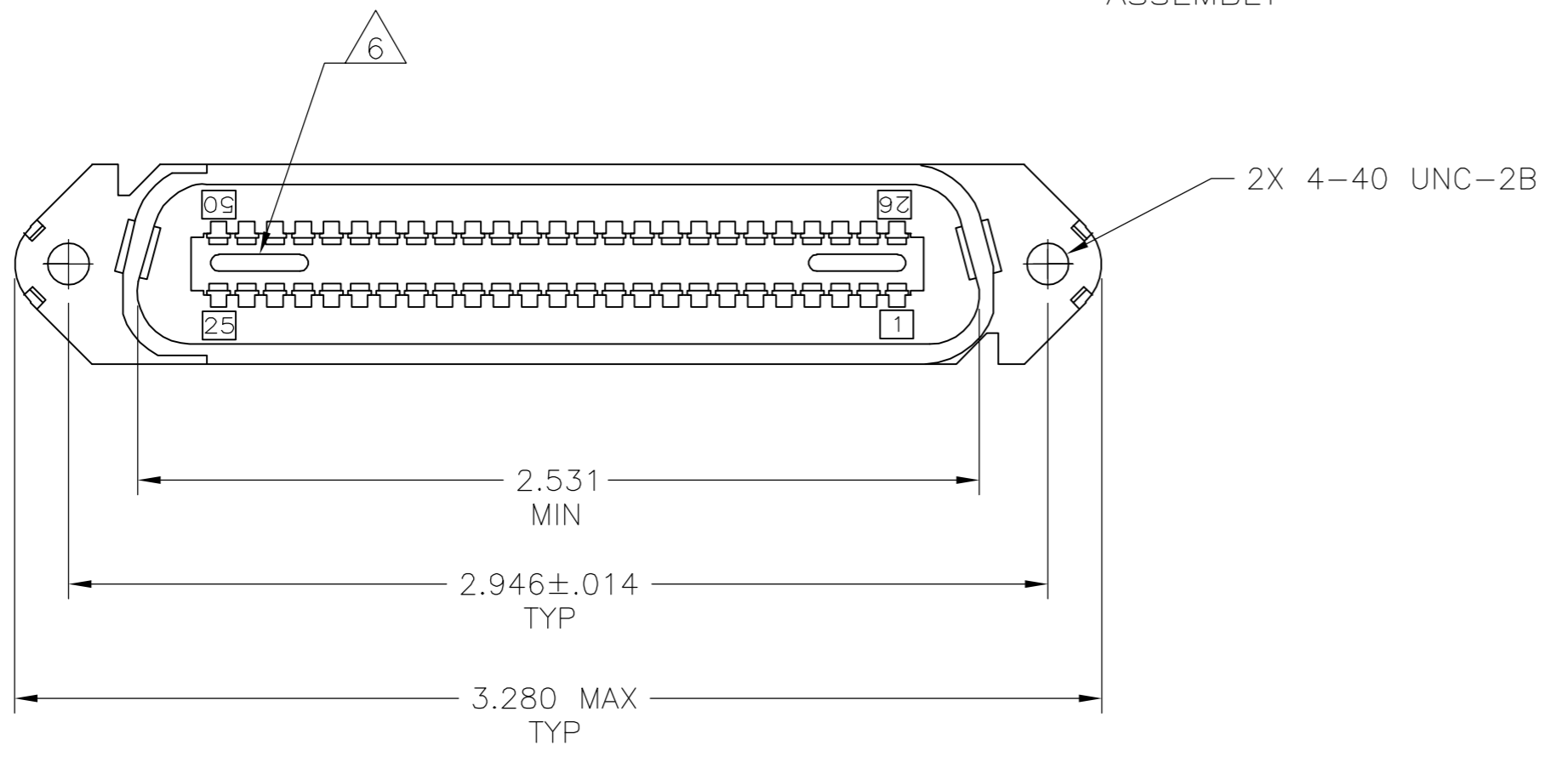
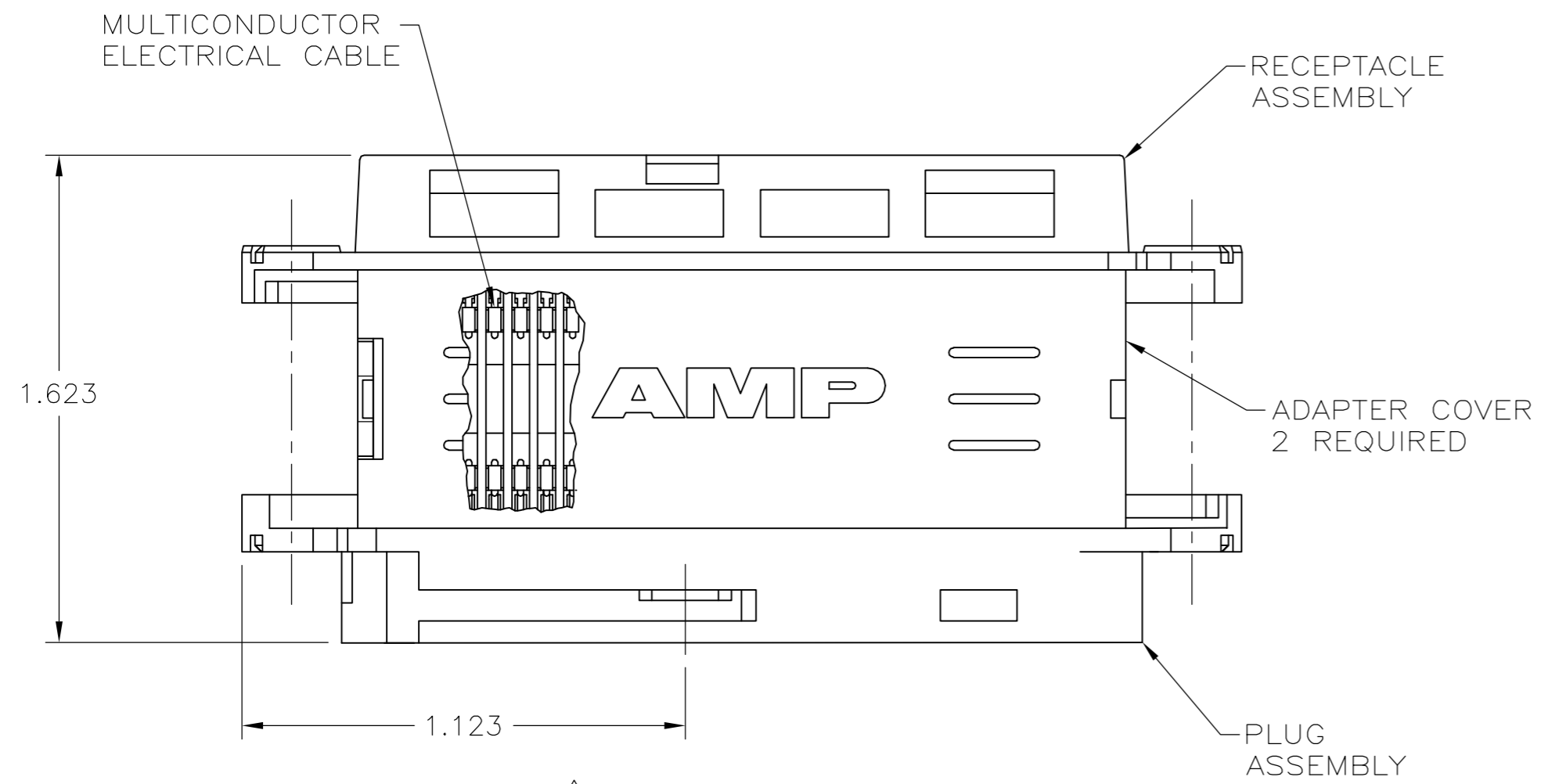


THIS DRAWING IS UNPUBLISHED. RELEASED FOR PUBLICATION JAN. 8, 1982.
 © COPYRIGHT BY TYCO ELECTRONICS CORPORATION. ALL RIGHTS RESERVED.

LOC	DIST	REVISIONS					
GP	00	P	LTR	DESCRIPTION	DATE	DWN	APVD
		A		RELEASED	05MAR07	BM	WM



1. LIKE NUMBERED CONTACTS ON BOTH CONNECTORS ARE ELECTRICALLY COMMON.
2. THE CONTACT SURFACES OF THE TERMINALS ARE COATED WITH LUBRICANT.
- 3 MATERIAL: HOUSING & COVERS – THERMOPLASTIC (BLACK)
 TERMINALS – HIGH STRENGTH COPPER ALLOY
 PLATED WITH EITHER 30μ MIN GOLD OR GOLD
 FLASH OVER 30μ MIN PALLADIUM NICKEL ON
 CONTACT MATING SURFACE, OVER 50μ MIN
 NICKEL PLATING.
- 4 ALL DIMENSIONS SHOWN ARE FOR REFERENCE ONLY UNLESS OTHERWISE SPECIFIED.
5. CENTER-TO-CENTER SPACING OF TERMINALS IS .085.
- 6 CORING MAY OR MAY NOT APPEAR AND IS AT THE DISCRETION OF TYCO ELECTRONICS.



THIS DRAWING IS A CONTROLLED DOCUMENT.		DWN B. MCMASTER	05MAR07	AS SHOWN		5552705-1	
DIMENSIONS: INCHES		CHK W. MILLHIMES	05MAR07	DESCRIPTION		PART NUMBER	
TOLERANCES UNLESS OTHERWISE SPECIFIED:		APVD W. MILLHIMES	05MAR07	NAME		Tyco Electronics Corporation Harrisburg, PA 17105-3608	
0 PLC ± -		PRODUCT SPEC		ASSEMBLY, WIRE ADAPTER, 50 POSITION (CHAMP-LOK, PLUG/RECEPTACLE)		RESTRICTED TO	
1 PLC ± -		APPLICATION SPEC		SIZE	CAGE CODE	DRAWING NO	REV
2 PLC ± -		WEIGHT		A2	00779	C=5552705	A
3 PLC ± -		CUSTOMER DRAWING		SCALE	SHEET	1 of 1	
4 PLC ± -				2:1			
ANGLES ± -							
FINISH							

5552705