

NOTES:

MATERIAL

- 1. Insulator Material: PBT+30%G.F.(UL94V-0), Grey
- 2. Contact Material : Brass
- 3. Contact Plating : 1u" Au selective Over Ni

ELECTRICAL

- 1. Current Rating : 3.0 AMP
- 2. Withstand Voltage : 1000V AC/minute
- 3. Contact Resistance : 20mΩ max
- 4. Insulation Resistance: 1000MΩ min

ENVIRONMENTAL

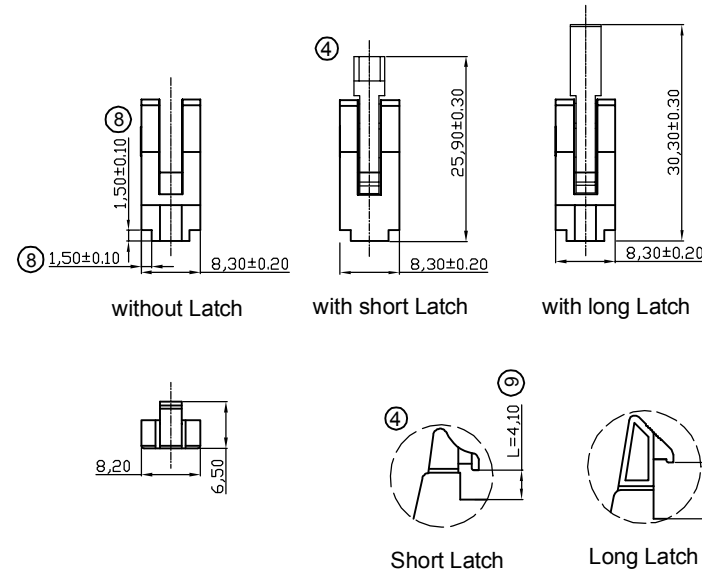
- 1. Operation Temperature: -40°C to +105°C
- ⑦ 2. Packing : Tube
- 3. 10P~18P with slot "M" without slot "N"
- 20P-64P with slot "M" and "N"

Ordering Information

AWH xxG-E2x2-IDC

No. of Contacts :
10, 14, 16, 20, 26,
30, 34, 40, 50, 60, 64

Latch Type
0 - without latch
2 - with short latches
3 - with long latches



RoHS compliant
Unit: mm



Scale	Free	⑨	Correct the dimension L =4.10mm	20.12.2017	Winnie		Date	Name	Customer-No.
TOLERANCE		⑧	Modify the shape of insulator	05.06.2017	Winnie	Drawn	29.05.2006	Hellwig	ASSMANN WSW-No. AWH xxG-E2x2-IDC
X.X	±0.40	⑦	Change the packing tray into tube	21.09.2015	Winnie	Approved	20.19.2017	Winnie	
X.XX	±0.25	⑥	Add UL file no.	12.12.2013	Amy				
X.XXX	±0.15	⑥	Add UL file no.	12.12.2013	Amy				Drawing-No.
ANGLE		⑤	Update	03.04.2013	Winnie	ASSMANN WSW components		ASS 0532 CO	rev09
		④	Correct drawing of short latch	05.05.2010	Dean			Replace	Sheet
DIM	TOL	Id.	Modification	Date	Name				



ASS 0532 CO

rev09

Replace

Sheet