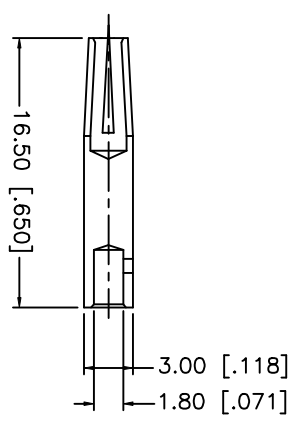
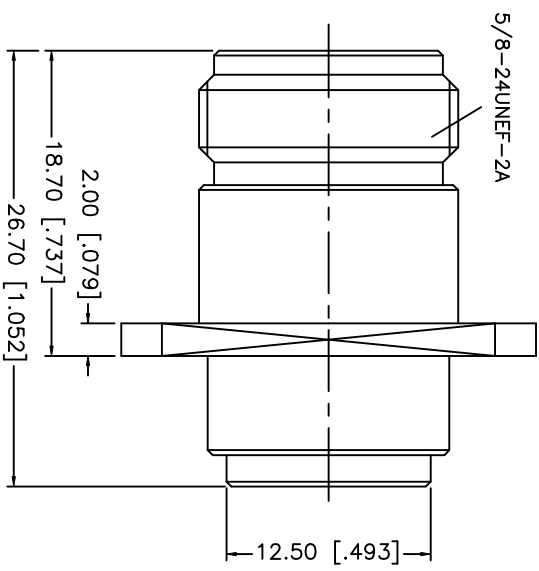
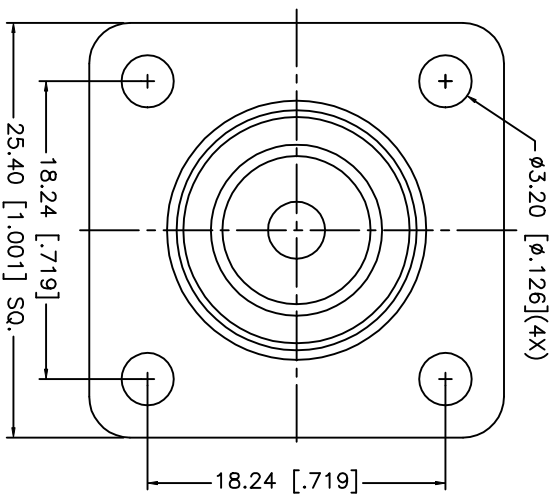
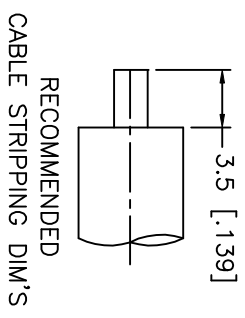
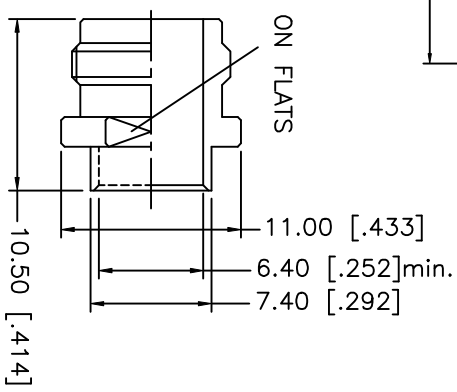


REV.	DATE	DESCRIPTION
NC	05/06/02	INITIAL RELEASE



CRIMP NOTES:  
 1. CRIMPED CONTACT PIN  
 HEX CRIMP SIZE .100"  
 OR SOLDER.



DESCRIPTION	MATERIAL	FINISH	UNLESS OTHERWISE SPECIFIED DIMENSIONS ARE IN MILLIMETERS DIMENSIONS IN [ ] ARE IN INCHES FOR CUSTOMER REFERENCE ONLY	APPROVALS	DATE	TITLE	
1 OUTER BODY	BRASS	NICKEL	UNLESS OTHERWISE SPECIFIED TOLERANCES FOR MILLIMETERS ARE: 0.5-6 = ± 0.2 6-30 = ± 0.4 30-120 = ± 0.6 120-315 = ± 1 315-1000 = ± 1.6 1000-2000 = ± 2.4 DO NOT SCALE DRAWING	DRAWN	G.R.S.	05/06/02	<b>Amphenol - Connex</b> CONNECTOR CORPORATION N PANEL DIRECT SOLDER JACK (FOR .250" SEMI RIGID CABLE)
2 INSULATOR	TEFLON	NATURAL		CHECKED			
3 CONTACT PIN	PHOS. BRONZE	GOLD		ISSUED			
4 SOLDER NUT	BRASS	GOLD					
5							
6							
7							
8							

SIZE	FSCM NO.	DWG. NO.	REV.
A	99001	172300.DWG	NC
SCALE	PART NO.	SHEET	
NA	172300	1 OF 1	