

PART NAME: KNOB SCALE: 1:1 DATE: 3/4/11 DR. BY JAM

THIS DRAWING IS THE PROPERTY OF DAVIES MOLDING COMPANY, IS SUBMITTED SOLELY AS A DESIGN OR ENGINEERING PROJECT. WE ACCEPT NO RESPONSIBILITY WHATSOEVER FOR THE PRACTICAL APPLICATION OF THE PIECES MADE TO THIS DESIGN.



DESIGNERS & MANUFACTURERS OF KNOBS, HANDLES, CASES & CUSTOM PLASTIC COMPONENTS

P/N 0065GC

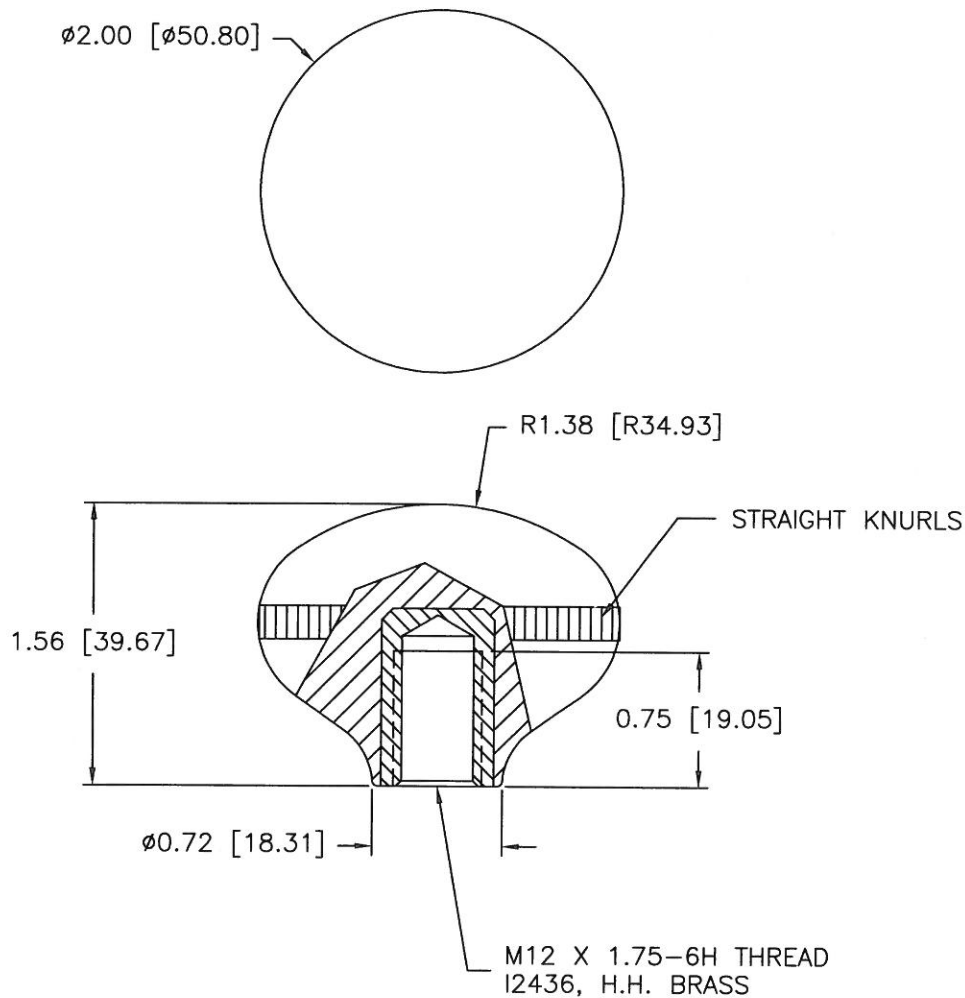
M NO. 0065

CAVITY 0065

PLUNGER 0065

PIN 0065EE

INSERT I2436



MATERIAL: G.P. PHENOLIC (B11)
COLOR: BLACK

| | | | | |
|---|-----------------------------------|---------|---------------|------------|
| TOLERANCES: UNLESS OTHERWISE SPECIFIED | DO NOT SCALE DRAWING | | | |
| DECIMALS: X.XXX ± .005 X.XX ± .015 | MM: X.XX ± 0.15MM X.X ± 0.4MM | - | WAS SK0065-24 | JAM 3/4/11 |
| FRACTIONS ± 1/64 | ANG. ± 1° | CHANGES | | |