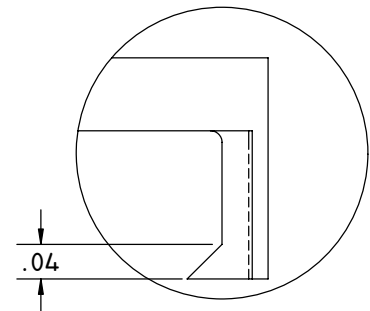
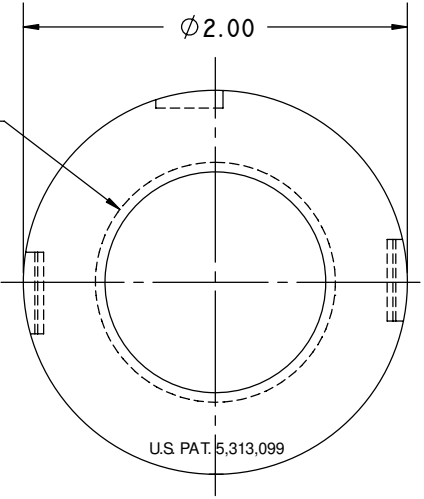
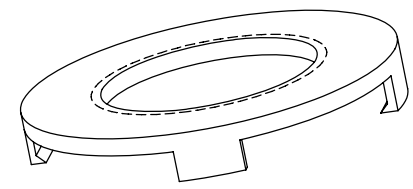
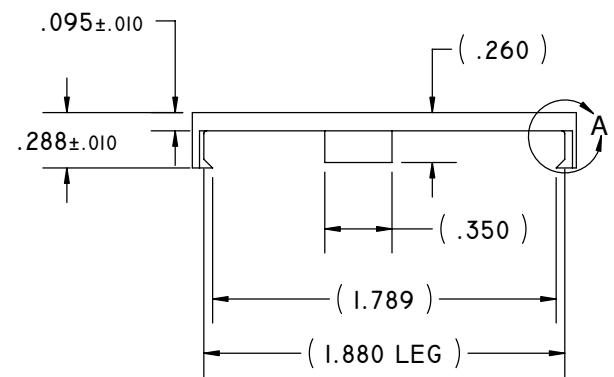


REVISION(S)			
LTR	DESCRIPTION	INIT	APP'D
A	ERN #: 112375	E.T 10/5/07	B.P 10/5/07

1 1/4" -27
USE PRE-PLATE THREAD
GAGE #CCI05



DETAIL A
SCALE=4X



NOTES:

UNLESS OTHERWISE SPECIFIED

1. INTERPRET DRAWING PER ASME Y14.5M - 1994.
2. MATERIAL: ALUMINUM.
FINISH: BLACK ANODIZED
3. RoHS COMPLIANT AND CERTIFIED.

CUSTOMER DRAWING
SPECIFICATIONS ARE SUBJECT TO CHANGE WITHOUT NOTICE

DO NOT SCALE	Tyco Electronics North Attleboro, Massachusetts 02763			CONFIDENTIAL PROPERTY OF TYCO ELECTRONICS. NOT TO BE DISCLOSED TO OTHERS. REPRODUCED OR USED FOR ANY PURPOSES EXCEPT AS AUTHORIZED IN WRITING BY AN AUTHORIZED OFFICIAL OF TYCO ELECTRONICS. MUST BE RETURNED TO TYCO ELECTRONICS ON DEMAND, ON COMPLETION OF ORDERS OR OTHER PURPOSES FOR WHICH LENT.		TITLE: CLIP (HTS02-2A)	
	UNLESS OTHERWISE SPECIFIED TO LEADANCES ARE:	DRAWN BY: E.TAO	DATE: 10/5/07	MATERIAL: SEE TABLE	DIMENSIONS ARE IN: INCHES		SCALE: 1:1
	ANGLES = ±1° FRACTIONS = ±.02 .XX = ±.010 .XXX = ±.005	ENGINEER: B.PETROCELLI	DATE: 10/5/07	FINISH: SEE TABLE	PART NO.: 1542350-2		SHEET: 1 OF 1
		FILENAME	PROJECT	SYSTEM	DWG. NO.: C-1542350		REV.: A

