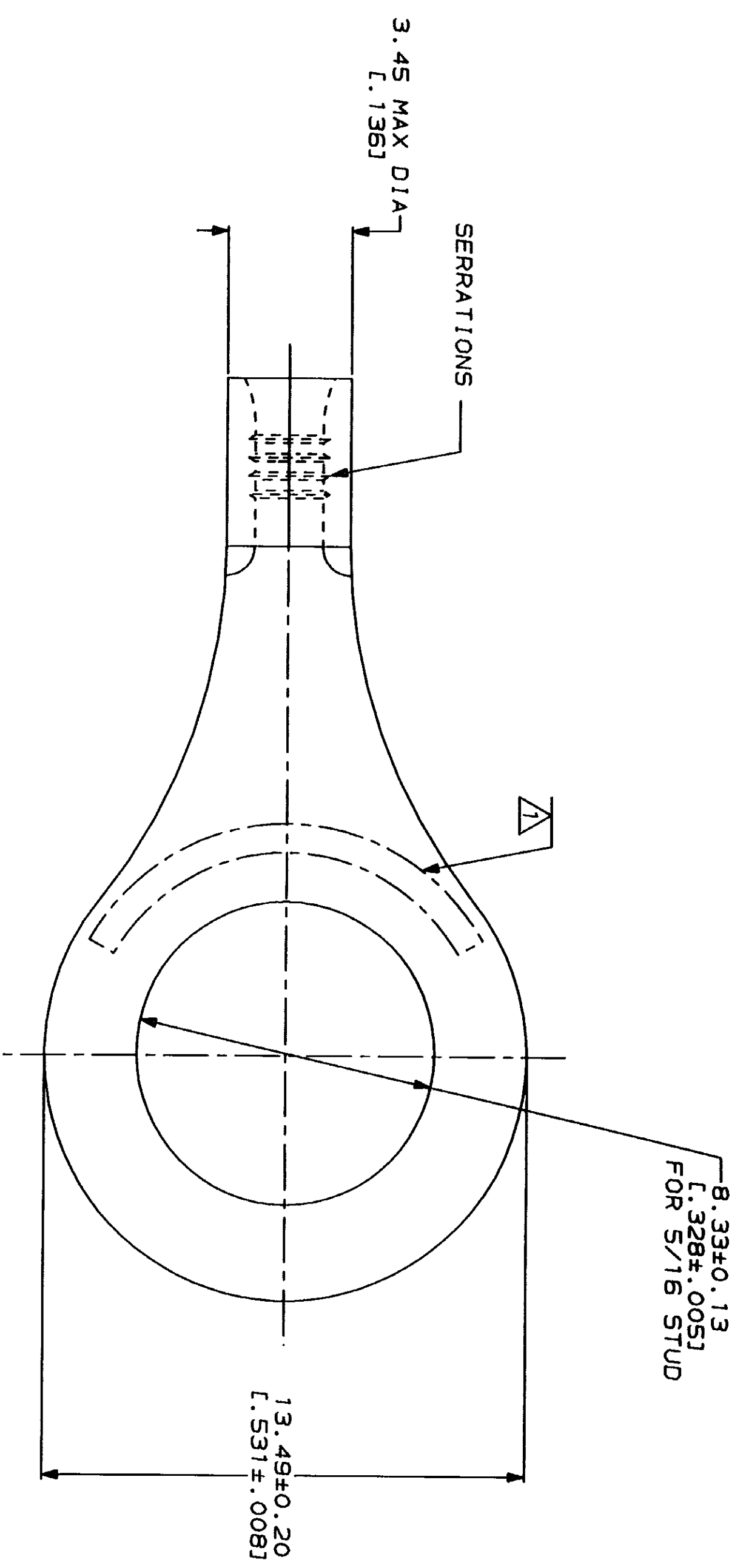
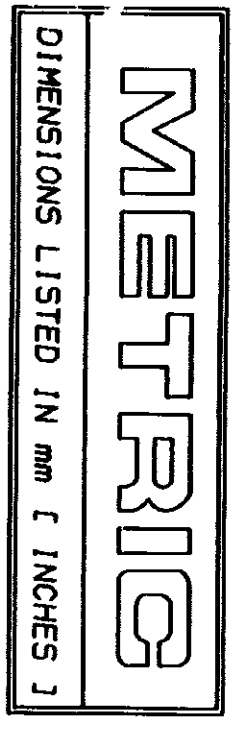
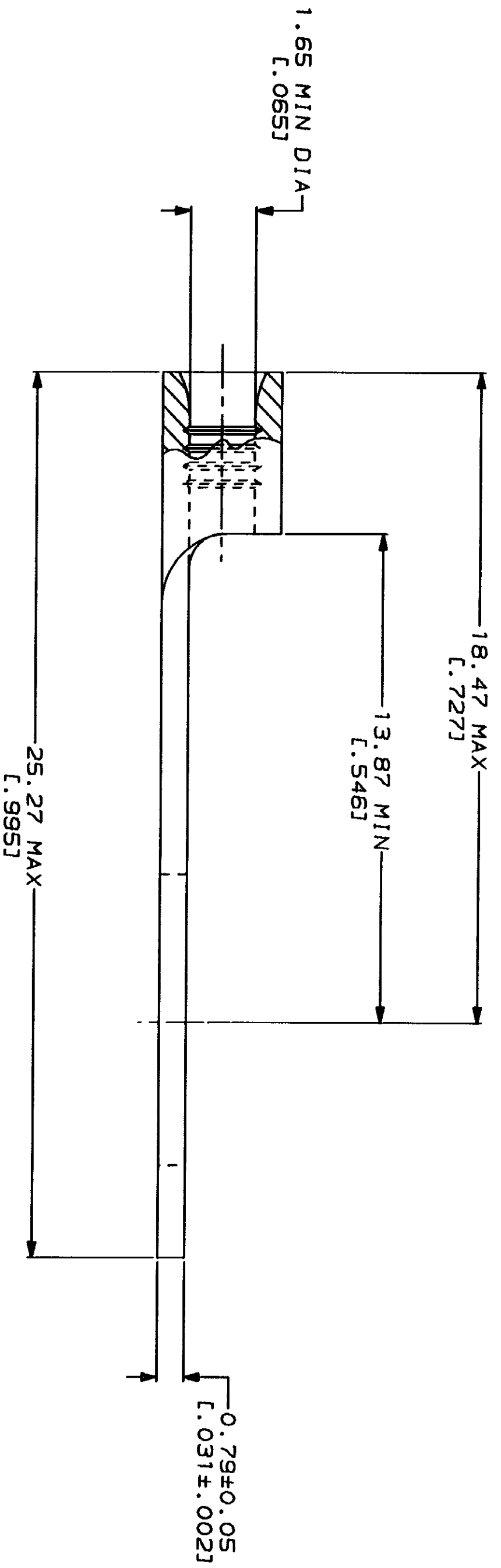


LOC	DIST	ZONE	LTR	REVISIONS	DESCRIPTION	DATE	APPD
G	14			REVISED PER 0720-0230-93		2/28/94	DAP



AMP	WIRE RANGE	UL E13288 Listed
	22-16 AWG STRANDED	22-16 AWG STRANDED
		MILITARY P/N AND CLASS
		NOT APPLICABLE

STAMP AMP 22-18* APPROX AS SHOWN
 22-16 TERMINALS ARE STAMPED 22-18 IN
 ACCORDANCE WITH MILITARY SPECIFICATION
 MIL-T-7928, COMMERCIAL WIRE RANGE IS 22-16



AMP INCORPORATED
CUSTOMER SERVICE SYSTEMS

FOR ADDITIONAL PRODUCT INFORMATION OR COPIES OF DRAWINGS AND TECHNICAL DOCUMENTS
 1-800-522-6752

FOR APPLICATION TOOLING INFORMATION
 1-800-722-1111

FOR ORDER ENTRY
 1-800-526-5142

MAX RECOMMENDED OPERATING TEMPERATURE: 170°C MAX

VOLTAGE RATING: NOT APPLICABLE

WIRE CROSS SECTIONAL AREA RANGE: 0.26-1.65mm² [509-3,260] CIR MILS STRANDED

DO NOT SCALE PRINT. UNLESS SPECIFIED DIMENSIONS IN mm - FINISHES - TOLERANCES ON: 1. PLG DEC ± . 2. PLG DEC ± . 3. PLG DEC ± . ANGLES ± .

MATERIAL: COPPER PER ASTM B-152 ANNEALED

FINISH: TIN PLATE 0.0025(L.000100) MIN THK PER MIL-T-10727

DR 2-4-93 TA BRINKMAN	NAME	AMP Incorporated Harrisburg, PA 17105-3508
CHK 2-4-93 DA PATTERSON	TERMINAL, RING TONGUE, BUDGET	
APPD 2-4-93 DE MILLER	SIZE	CASE CODE 00779 DRAWING NO G-324124
APPD 2-4-93 JL MECKLEY	SCALE	8:1
PRODUCT SPEC	APPLICATION SPEC	WEIGHT