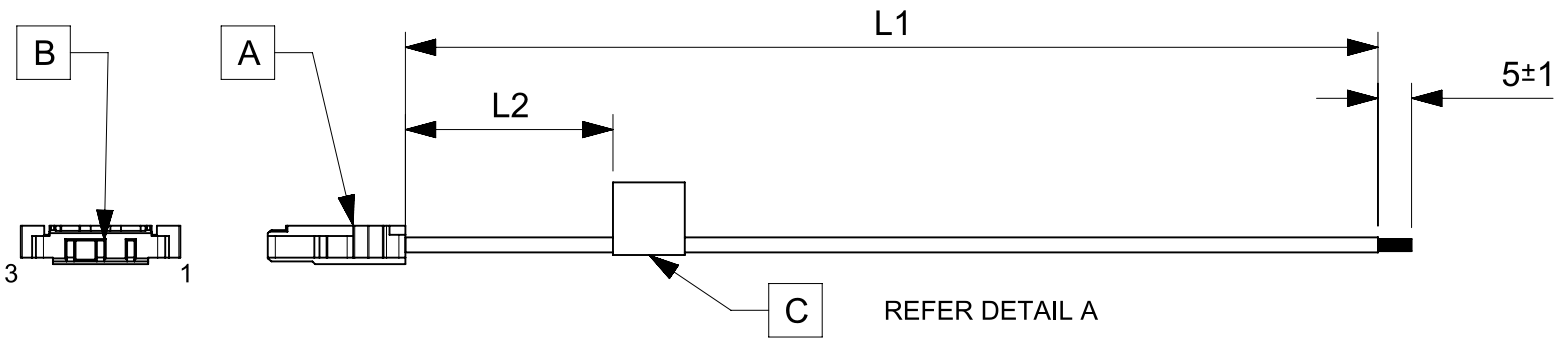


| ITEM | PART# | DESCRIPTION | QTY | UOM |
|------|------------|---|-----|-----|
| A | 2053410203 | PICO-LOCK 2.0 W/B REC HSG 3P | 1 | PC |
| B | 2053425028 | PICO-LOCK 2.0 W/B REC TERM PL AWG#20-22 | 3 | PC |
| C | -- | PAPER PRINTED PAPER WHITE | 1 | PC |

| FROM | TO | DESCRIPTION | COLOR |
|------|----|--------------------------------|-------|
| A1 | -- | 1X20AWG DISC SR-PVC BK UL10002 | BLACK |
| A2 | -- | 1X20AWG DISC SR-PVC BK UL10002 | BLACK |
| A3 | -- | 1X20AWG DISC SR-PVC BK UL10002 | BLACK |



| TABLE | | | |
|-------------|-------|----------|--------------------------------------|
| PART NUMBER | L1 | L2 (REF) | TITLE |
| 2196572030 | 50±3 | 15 | Pico-Lock 2.0 R-S 3ckt 50mm disc Au |
| 2196572031 | 100±3 | 15 | Pico-Lock 2.0 R-S 3ckt 100mm disc Au |
| 2196572032 | 150±4 | 15 | Pico-Lock 2.0 R-S 3ckt 150mm disc Au |
| 2196572033 | 300±4 | 15 | Pico-Lock 2.0 R-S 3ckt 300mm disc Au |
| 2196572034 | 600±6 | 15 | Pico-Lock 2.0 R-S 3ckt 600mm disc Au |

- NOTES**
1. Connector view shown is from mating side.
 2. Label text must be 2mm max. in height with Arial font.
 3. Label must be wrapped in Flag type on a single cable.
 4. Free ends must be stripped, twisted & tinned. The length of tinning is 5±1mm. Tinning Dia must be 1.25mm Max.

MOLEX P/N
MOLEX
BATCH WK/YR
DETAIL A

| REVISION | | | |
|------------|-----|-----------------|---------|
| DATE | REV | DESCRIPTION | CHANGER |
| 2021/12/27 | A | INITIAL RELEASE | SAIKIG |

| | | | | | | | |
|--|--|--------------------------------|---------------------------------|--------------------------|-----------------|----------------|--------------|
| FUNCTIONAL SYMBOLS $\nabla_A = 0$ $\nabla_E = 0$ $\nabla_P = 0$ DIVISIONAL SYMBOLS | DIMENSION UNITS: mm SCALE: NTS | | CURRENT REV DESC: | | | | |
| | GENERAL TOLERANCES (UNLESS SPECIFIED) | | EC NO: 690897 | | | | |
| | ANGULAR TOL ± ° | | DRWN: SAIKIG 2021/12/27 | | | | |
| | 4 PLACES ± | | CHK'D: MNARAYAN01 2022/01/13 | | | | |
| 3 PLACES ± | | APPR: MNARAYAN01 2022/01/13 | | PRODUCT CUSTOMER DRAWING | | | |
| 2 PLACES ± | | INITIAL REVISION: | | DOCUMENT NUMBER | DOC TYPE | | |
| 1 PLACE ± | | DRWN: SAIKIG 2021/12/27 | | 2196572030 | PSD | | |
| 0 PLACES ± | | APPR: MNARAYAN01 2022/01/13 | | 000 | A | | |
| DRAFT WHERE APPLICABLE MUST REMAIN WITHIN DIMENSIONS | | THIRD ANGLE PROJECTION | DRAWING | SERIES | MATERIAL NUMBER | CUSTOMER | SHEET NUMBER |
| | | | A4-SIZE | 219657 | SEE TABLE | GENERAL MARKET | 1 OF 1 |