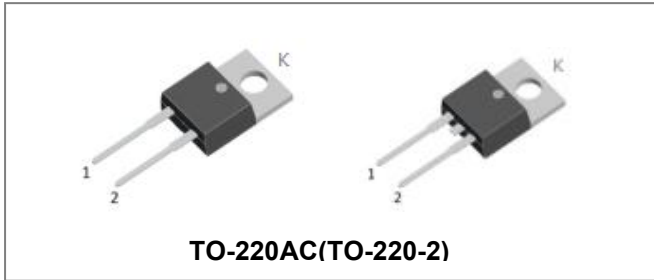


S3D15065A 650V SiC POWER SCHOTTKY RECTIFIER



Description

S3D15065A is a SiC Schottky rectifier packaged in TO-220AC(TO-220-2) case. The device is a high voltage Schottky rectifier that has very low total conduction losses and very stable switching characteristics over temperature extremes. The S3D15065A is ideal for energy sensitive, high frequency applications in challenging environments.

Circuit Diagram



Applications

- Alternative energy inverters
- Power Factor Correction (PFC)
- Free-Wheeling diodes
- Switching supply output rectification
- Reverse polarity protection

Features

- 175°C T_J operation
- Ultra-low switching loss
- Switching speeds independent of operating temperature
- Low total conduction losses
- High forward surge current capability
- High package isolation voltage
- Terminals finish: 100% Pure Tin
- “-A” is an AEC-Q101 qualified device
- Pb – Free Device
- All SMC parts are traceable to the wafer lot
- Additional electrical and life testing can be performed upon request

Maximum Ratings

Characteristics	Symbol	Condition	Max.	Units
Peak Repetitive Reverse Voltage	V _{RRM}	-	650	V
Working Peak Reverse Voltage	V _{RWM}			
DC Blocking Voltage	V _{DC}			
Average Rectified Forward Current	I _{F(AV)1}	T _C =25°C	42	A
	I _{F(AV)2}	T _C =135°C	18	A
	I _{F(AV)3}	T _C =145°C	15	A
Repetitive Peak Forward Surge Current	I _{FRM1}	10ms, Half Sine pulse, T _C =25°C	50	A
	I _{FRM2}	10ms, Half Sine pulse, T _C =110°C	35	A
Peak One Cycle Non-Repetitive Surge Current	I _{FSM1}	10ms, Half Sine pulse, T _C =25°C	102	A
	I _{FSM2}	10ms, Half Sine pulse, T _C =110°C	65	A
Non-Repetitive Peak Forward Surge Current	I _{F,Max1}	10µs. Pulse, T _C =25°C	865	A
	I _{F,Max2}	10µs. Pulse, T _C =110°C	590	A
Power Dissipation	P _{tot1}	T _C =25°C	116	W
	P _{tot2}	T _C =110°C	50	W
TO-220 Mounting Torque		M3 Screw	1	Nm
		6-32 Screw	8.8	bf-in

Electrical Characteristics:

Characteristics	Symbol	Condition	Typ.	Max.	Units
Forward Voltage Drop*	V _{F1}	@ 15A, Pulse, T _J = 25 °C	1.4	1.7	V
	V _{F2}	@ 15A, Pulse, T _J = 175 °C	1.6	2.0	V
Reverse Current*	I _{R1}	@V _R = rated V _R T _J = 25 °C	0.3	15	uA
	I _{R2}	@V _R = rated V _R T _J = 175 °C	3	150	uA
Junction Capacitance	C _T	V _R =0V, T _J =25°C, f=1MHz	1243	-	pF
Reverse Recovery Charge	Q _c	I _F = 15A, di/dt = 200A/μs V _R = 400 V, T _J = 25°C	77.5	-	nC
Capacitance Stored Energy	E _c	V _R = 400 V, T _J = 25°C	18.99	-	μJ

* Pulse width < 300 μs, duty cycle < 2%

Thermal-Mechanical Specifications:

Characteristics	Symbol	Condition	Specification	Units
Junction Temperature	T _J	-	-55 to +175	°C
Storage Temperature	T _{stg}	-	-55 to +175	°C
Typical Thermal Resistance Junction to Case	R _{θJC}	DC operation	1.3	°C/W

Ordering Information

Device	Package	Shipping
S3D15065A	TO-220AC(TO-220-2)	50pcs / tube

Marking Diagram


Where XXXXX is YYWWL

S3D = Device Type
A = Package type
15 = Forward Current (15A)
065 = Reverse Voltage (650V)
SSG = SSG
YY = Year
WW = Week
L = Lot Number

Cautions: Molding resin
Epoxy resin UL:94V-0

Ratings and Characteristics Curves

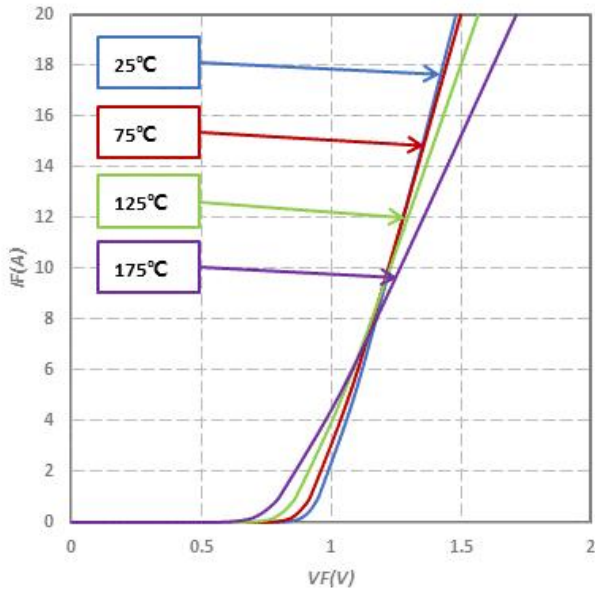


Fig.1-Typical Forward Voltage Characteristics

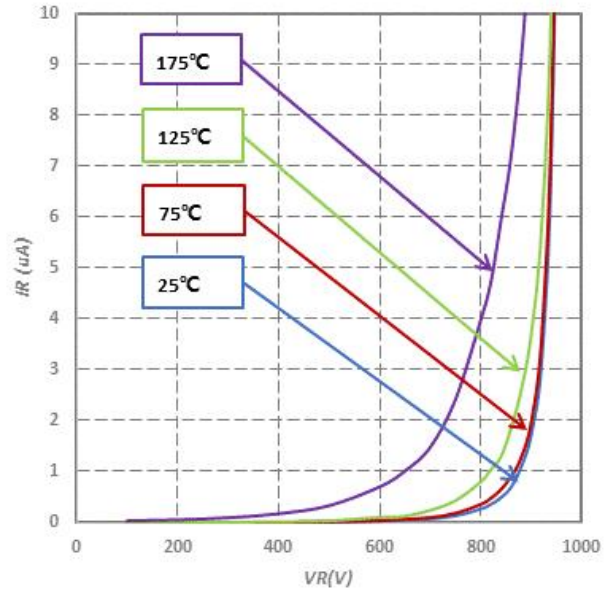


Fig.2-Typical Reverse Characteristics

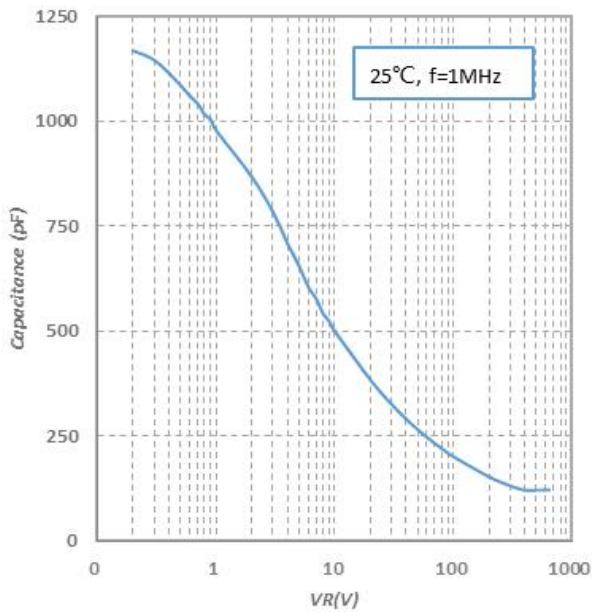


Fig.3-Capacitance vs. Reverse Voltage

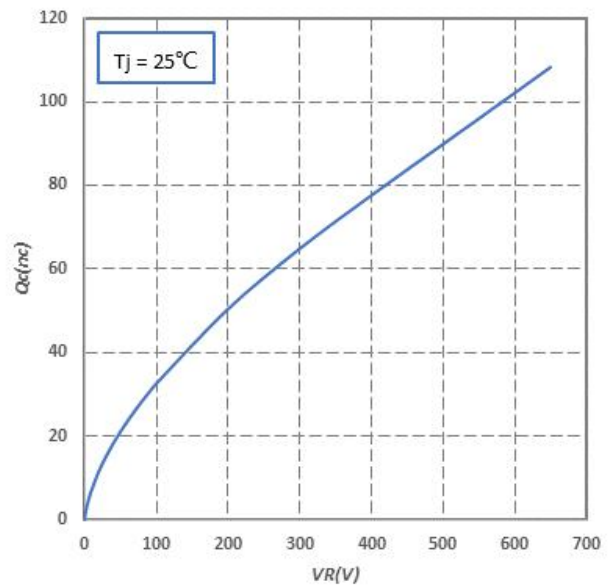


Fig.4-Total Capacitance Charge vs. Reverse Voltage

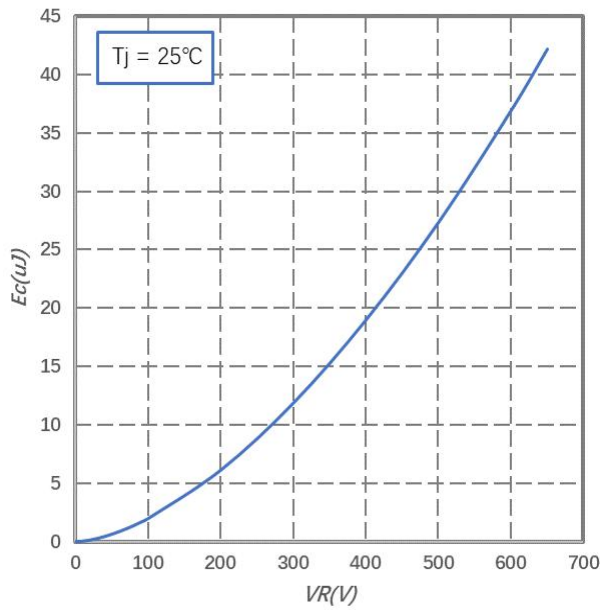


Fig.5-Capacitance Stored Energy

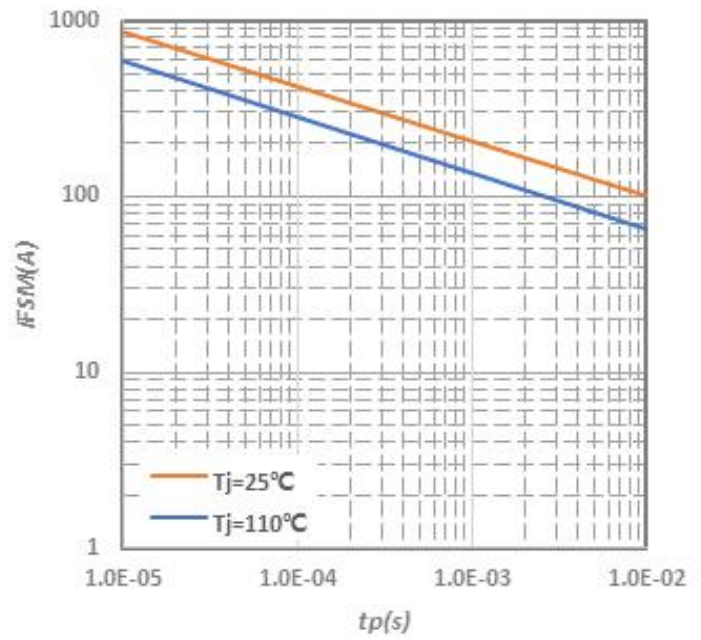


Fig.6-Non-repetitive peak forward surge current versus pulse duration (sinusoidal waveform)

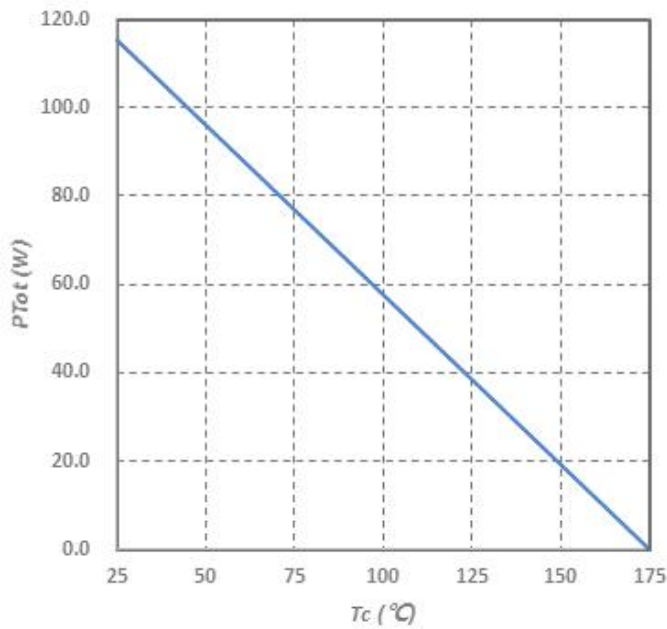


Fig.7-Power Derating

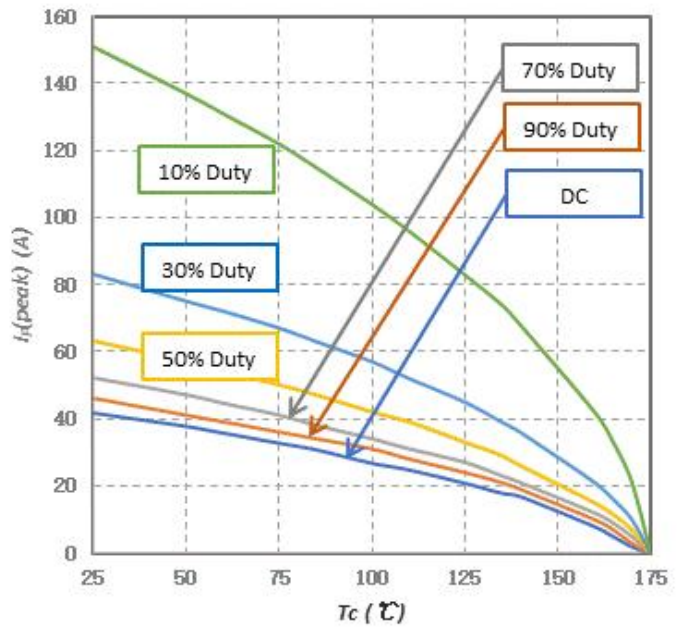
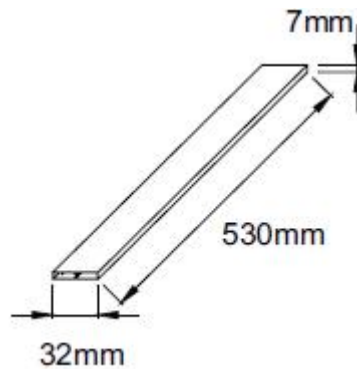
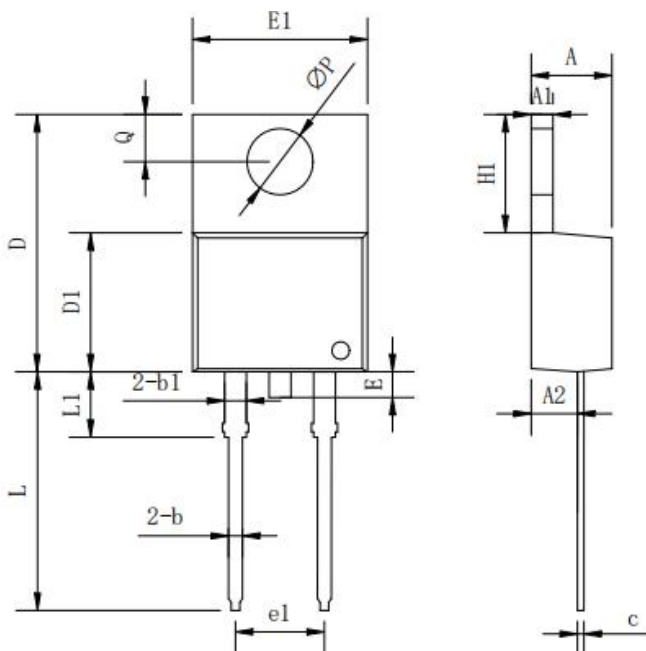


Fig.8-Current Derating

Tube Specification(TO-220-2)



Mechanical Dimensions TO-220AC(TO-220-2)



Symbol	Dimensions in millimeters		
	Min.	Typical	Max.
A	3.56	-	4.83
A1	0.51	-	1.40
A2	2.03	-	2.92
b	0.38	-	1.02
b1	1.14	-	1.78
c	0.31	-	0.61
D	14.22	-	16.51
D1	8.38	-	9.42
E	-	-	1.78
E1	9.65	10.16	10.67
e1	-	5.08	-
H1	5.84	-	6.86
L	12.70	-	14.73
L1	-	-	6.35
ΦP	-	3.56	-



DISCLAIMER:

- 1- The information given herein, including the specifications and dimensions, is subject to change without prior notice to improve product characteristics. Before ordering, purchasers are advised to contact the SMC Diode Solutions sales department for the latest version of the datasheet(s).
- 2- In cases where extremely high reliability is required (such as use in nuclear power control, aerospace and aviation, traffic equipment, medical equipment, and safety equipment), safety should be ensured by using semiconductor devices that feature assured safety or by means of users' fail-safe precautions or other arrangement.
- 3- In no event shall SMC Diode Solutions be liable for any damages that may result from an accident or any other cause during operation of the user's units according to the datasheet(s). SMC Diode Solution assumes no responsibility for any intellectual property claims or any other problems that may result from applications of information, products or circuits described in the datasheets.
- 4- In no event shall SMC Diode Solutions be liable for any failure in a semiconductor device or any secondary damage resulting from use at a value exceeding the absolute maximum rating.
- 5- No license is granted by the datasheet(s) under any patents or other rights of any third party or SMC Diode Solutions.
- 6- The datasheet(s) may not be reproduced or duplicated, in any form, in whole or part, without the expressed written permission of SMC Diode Solutions.
- 7- The products (technologies) described in the datasheet(s) are not to be provided to any party whose purpose in their application will hinder maintenance of international peace and safety nor are they to be applied to that purpose by their direct purchasers or any third party. When exporting these products (technologies), the necessary procedures are to be taken in accordance with related laws and regulations.