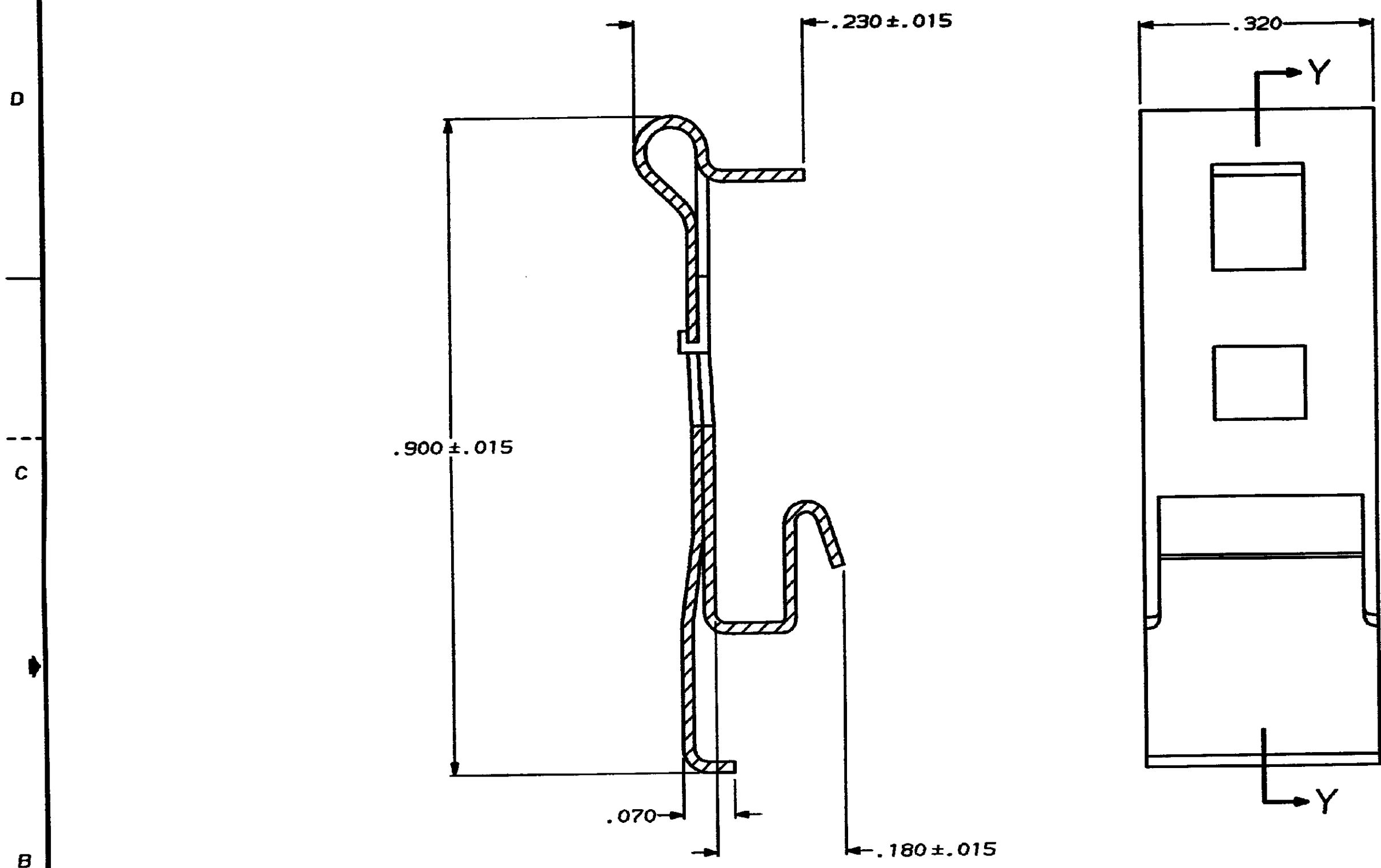


4  
DRAWING MADE IN THIRD ANGLE PROJECTION  
THIS DRAWING IS UNPUBLISHED. RELEASED FOR PUBLICATION .19  
© COPYRIGHT 19 BY AMP INCORPORATED. ALL INTERNATIONAL RIGHTS RESERVED.

MOD	LOC	QTY	P	F	ZONE	LTR	REVISIONS	DATE	APPD
8	BD	39				A	REVISIONS		
							DESCRIPTION		
							REDRAWN ON CAD	4-16-90	



SECTION Y-Y

PACKAGING	QUANTITY	PART NUMBER
BULK PACKAGED	2	745255-3
ONE KIT PER BAG	2	745255-2

DO NOT SCALE PRINT. UNLESS SPECIFIED DIMENSIONS IN INCHES TOLERANCES ON : 2 PLC DEC ± - 3 PLC DEC ± .010 ANGLES ± - MATERIAL STAINLESS STEEL .015 THICK FINISH -	DR 4-16-90 J GALLUCCI BG CHK - W.G. Runk APPD - J. Deane 7-11-90 APPD - J. Deane 7-16-90 PRODUCT SPEC -	<b>AMP</b> AMP INCORPORATED Harrisburg, Pa. 17105 NAME SPRING LATCH, AMPLIMITE™
	APPLICATION SPEC - WEIGHT -	SIZE <b>C</b> SCALE 8:1

CUSTOMER DRAWING