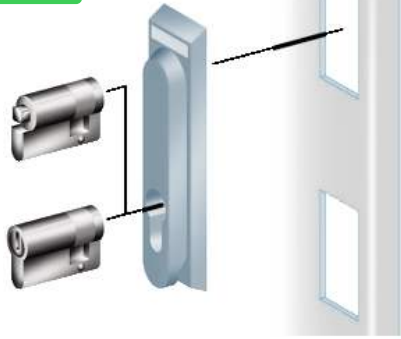


Product data sheet

Specifications



Universal enclosures accessory, Insert for retractable handle, 8 mm square lock

NSYTC8ME

! Discontinued on: 30 June 2022

! Discontinued

Main

Range	Thalassa Spacial
Product or component type	Lock insert

Complementary

Accessory / separate part category	Locking accessory
Accessory / separate part type	Insert for lock
Device application	Multi-purpose
Mounting support	Direct mounting on handle
Range compatibility	Spacial (Spacial SMX) Spacial (Spacial SFX) Thalassa (Thalassa PLM) Thalassa (Thalassa PLD)
Device composition	1 shape insert
Quantity per set	Set of 1
Material	Enclosure: stainless steel
Lock type	Lock 8 mm square insert

Packing Units

Unit Type of Package 1	PCE
Number of Units in Package 1	1
Package 1 Height	8 cm
Package 1 Width	10 cm
Package 1 Length	10 cm
Package 1 Weight	120 g

Offer Sustainability

Sustainable offer status	Green Premium product
REACH Regulation	REACH Declaration
EU RoHS Directive	Pro-active compliance (Product out of EU RoHS legal scope) EU RoHS Declaration

Mercury free	Yes
China RoHS Regulation	China RoHS declaration Product out of China RoHS scope. Substance declaration for your information
RoHS exemption information	Yes
Environmental Disclosure	Product Environmental Profile

Contractual warranty

Warranty	18 months
-----------------	-----------

Recommended replacement(s)