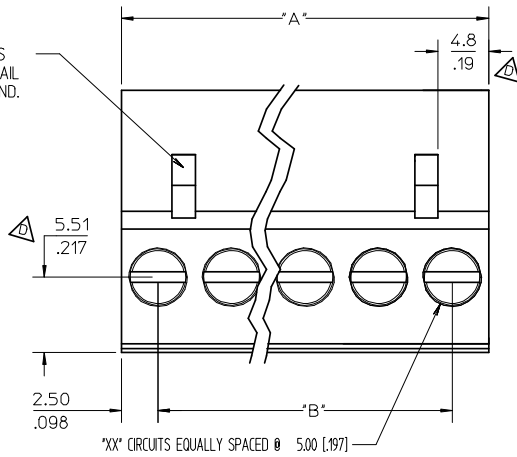
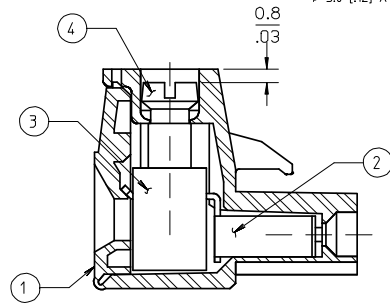
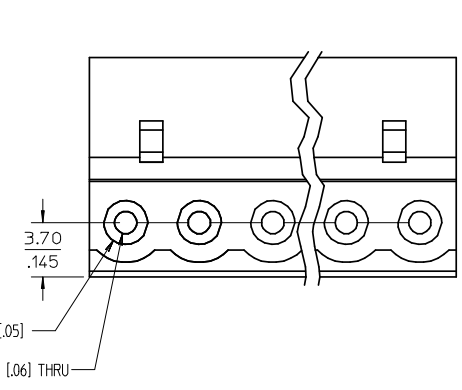
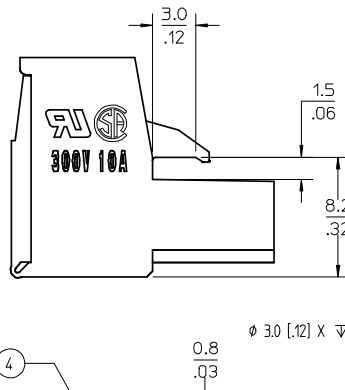
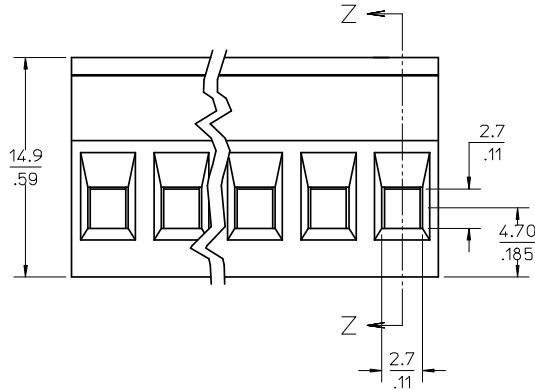
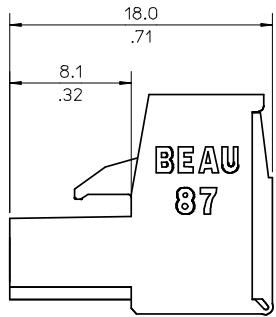


PLUGS WITH 2 CIRCUITS
HAVE ONE LATCH DETAIL
POSITIONED ON THIS END.



NUMBER OF CIRCUITS "XX"	DIM. "A"	DIM. "B"	BLACK (STD) MATERIAL NO.	BLACK (-G30 OPT) MATERIAL NO.	BLACK (-49 OPT) MATERIAL NO.	10A IMPRINT MATERIAL NO.	11A IMPRINT MATERIAL NO.	11B IMPRINT MATERIAL NO.	GRAY MATERIAL NO.	GREEN MATERIAL NO.
02	10.00 [3.94]	5.00 [1.97]	398700102	398710102	398740102	398720102	398730102	398790089	-	398702102
03	15.00 [5.91]	10.00 [3.94]	398700103	398710103	398740103	398720103	398730103	398790090	398790168	398702103
04	20.00 [7.87]	15.00 [5.91]	398700104	398710104	398740104	398720104	398730104	-	-	398702104
05	25.00 [9.84]	20.00 [7.87]	398700105	398710105	398740105	398720105	398730105	398790091	-	398702105
06	30.00 [11.81]	25.00 [9.84]	398700106	398710106	398740106	398720106	398730106	398790092	-	398702106
07	35.00 [13.78]	30.00 [11.81]	398700107	398710107	398740107	398720107	398730107	-	-	398702107
08	40.00 [15.75]	35.00 [13.78]	398700108	398710108	398740108	398720108	398730108	-	-	398702108
09	45.00 [17.72]	40.00 [15.75]	398700109	398710109	398740109	398720109	398730109	-	-	398702109
10	50.00 [19.69]	45.00 [17.72]	398700110	398710110	398740110	398720110	398730110	-	-	398702110
11	55.00 [21.65]	50.00 [19.69]	398700111	398710111	398740111	398720111	398730111	-	-	398702111
12	60.00 [23.62]	55.00 [21.65]	398700112	398710112	398740112	398720112	398730112	-	-	398702112
13	65.00 [25.59]	60.00 [23.62]	398700113	398710113	398740113	398720113	398730113	-	-	398702113
14	70.00 [27.56]	65.00 [25.59]	398700114	398710114	398740114	398720114	398730114	-	-	398702114
15	75.00 [29.53]	70.00 [27.56]	398700115	398710115	398740115	398720115	398730115	-	-	398702115
16	80.00 [31.50]	75.00 [29.53]	398700116	398710116	398740116	398720116	398730116	-	-	398702116
17	85.00 [33.46]	80.00 [31.50]	398700117	398710117	398740117	398720117	398730117	-	-	398702117
18	90.00 [35.43]	85.00 [33.46]	398700118	398710118	398740118	398720118	398730118	-	-	398702118
19	95.00 [37.40]	90.00 [35.43]	398700119	398710119	398740119	398720119	398730119	-	-	398702119
20	100.00 [39.37]	95.00 [37.40]	398700120	398710120	398740120	398720120	398730120	-	-	398702120
21	105.00 [41.34]	100.00 [39.37]	398700121	398710121	398740121	398720121	398730121	-	-	398702121
22	110.00 [43.31]	105.00 [41.34]	398700122	398710122	398740122	398720122	398730122	-	-	398702122
23	115.00 [45.28]	110.00 [43.31]	398700123	398710123	398740123	398720123	398730123	-	-	398702123
24	120.00 [47.24]	115.00 [45.28]	398700124	398710124	398740124	398720124	398730124	-	-	398702124



SECT. Z-Z

NOTES:

1. MATERIAL: SEE TABLE
2. FINISHES: SEE TABLE
3. PRODUCT SPECIFICATION: NOT REQUIRED
4. MATES WITH: 87 SERIES HEADER.
5. INCH DIMS ARE SHOWN IN PARENTHESIS (XXX)
6. ALL DIMENSIONS TYPICAL UNLESS OTHERWISE SPECIFIED.
7. *XX* REFERS TO THE NUMBER OF CIRCUITS
8. FOR OPTIONAL IMPRINTING 10A AND 11A SEE DRAWING SD-38120-004.
9. FOR OPTIONAL IMPRINTING 11B SEE DRAWING SD-38120-006.

ITEM	QTY.	DESCRIPTION	MATERIAL	FINISH
4	XX	SLOTTED M3 X .5 SCREW	STEEL	ZINC PLATED
			BRASS	TIN PLATED
3	XX	CAGE	BRASS	NICKEL PLATED
2	XX	TERMINAL	PHOS BRONZE	TIN PLATED
				GOLD PLATED
1	1	PLUG	THERMOPLASTIC	SEE CHART

CORRECT DIMS EC NO: ETC2006-0263 DRAWN: CYRIL 2006/02/21 CHKD: ROBERTS 2006/02/21 APPR: ROBERTS 2006/02/23	QUALITY SYMBOLS	GENERAL TOLERANCES (UNLESS SPECIFIED)	DIMENSION STYLE	SCALE	DESIGN UNITS	THIRD ANGLE PROJECTION	
	$\nabla=0$ $\nabla=0$	mm ±.0015 INCH ±.005	MM/IN	4:1	INCH		
		4 PLACES ±.0015 ±.005 3 PLACES ±0.038 ±.005 2 PLACES ±0.13 ±.01 1 PLACE ±0.3 ±.--- ANGULAR ±1/2°	DRAWN BY W. HOWARD CHECKED BY R. STONE APPROVED BY P. WALTZ	DATE 2003/08/18 DATE 2003/08/25 DATE 2003/08/25	TITLE PLUGGABLE SR BTS ASSY, 5.00 [1.97] CENTERS		
		DRAFT WHERE APPLICABLE MUST REMAIN WITHIN DIMENSIONS	MATERIAL NO. SEE CHART DOCUMENT NO. SD-39870-003	MOLEX INCORPORATED			
			THIS DRAWING CONTAINS INFORMATION THAT IS PROPRIETARY TO MOLEX INCORPORATED AND SHOULD NOT BE USED WITHOUT WRITTEN PERMISSION			SHEET NO. 1 OF 1	

NUMBER OF CIRCUITS "XX"	DIM. "A"	DIM. "B"	BLACK (STD) MATERIAL NO.	BLACK (-G30 OPT) MATERIAL NO.	BLACK (-49 OPT) MATERIAL NO.	10A IMPRINT MATERIAL NO.	11A IMPRINT MATERIAL NO.	11B IMPRINT MATERIAL NO.	GRAY MATERIAL NO.	GREEN MATERIAL NO.
02	10.00 [1.394]	5.00 [1.197]	398700102	398710102	398740102	398720102	398730102	398790089	-	398702102
03	15.00 [1.591]	10.00 [1.394]	398700103	398710103	398740103	398720103	398730103	398790090	398790168	398702103
04	20.00 [1.787]	15.00 [1.591]	398700104	398710104	398740104	398720104	398730104	-	-	398702104
05	25.00 [1.984]	20.00 [1.787]	398700105	398710105	398740105	398720105	398730105	398790091	-	398702105
06	30.00 [1.181]	25.00 [1.984]	398700106	398710106	398740106	398720106	398730106	398790092	-	398702106
07	35.00 [1.378]	30.00 [1.181]	398700107	398710107	398740107	398720107	398730107	-	-	398702107
08	40.00 [1.575]	35.00 [1.378]	398700108	398710108	398740108	398720108	398730108	-	-	398702108
09	45.00 [1.772]	40.00 [1.575]	398700109	398710109	398740109	398720109	398730109	-	-	398702109
10	50.00 [1.969]	45.00 [1.772]	398700110	398710110	398740110	398720110	398730110	-	-	398702110
11	55.00 [2.165]	50.00 [1.969]	398700111	398710111	398740111	398720111	398730111	-	-	398702111
12	60.00 [2.362]	55.00 [2.165]	398700112	398710112	398740112	398720112	398730112	-	-	398702112
13	65.00 [2.559]	60.00 [2.362]	398700113	398710113	398740113	398720113	398730113	-	-	398702113
14	70.00 [2.756]	65.00 [2.559]	398700114	398710114	398740114	398720114	398730114	-	-	398702114
15	75.00 [2.953]	70.00 [2.756]	398700115	398710115	398740115	398720115	398730115	-	-	398702115
16	80.00 [3.150]	75.00 [2.953]	398700116	398710116	398740116	398720116	398730116	-	-	398702116
17	85.00 [3.346]	80.00 [3.150]	398700117	398710117	398740117	398720117	398730117	-	-	398702117
18	90.00 [3.543]	85.00 [3.346]	398700118	398710118	398740118	398720118	398730118	-	-	398702118
19	95.00 [3.740]	90.00 [3.543]	398700119	398710119	398740119	398720119	398730119	-	-	398702119
20	100.00 [3.937]	95.00 [3.740]	398700120	398710120	398740120	398720120	398730120	-	-	398702120
21	105.00 [4.134]	100.00 [3.937]	398700121	398710121	398740121	398720121	398730121	-	-	398702121
22	110.00 [4.331]	105.00 [4.134]	398700122	398710122	398740122	398720122	398730122	-	-	398702122
23	115.00 [4.528]	110.00 [4.331]	398700123	398710123	398740123	398720123	398730123	-	-	398702123
24	120.00 [4.724]	115.00 [4.528]	398700124	398710124	398740124	398720124	398730124	-	-	398702124

D VOID
BY SD-39870-003 REV. D
PER ETC2006-0088

EC NO. : DRAWN: CHK'K: APPRT:	DESCRIPTION	QUALITY SYMBOLS MAJOR CRITICAL SPC	GENERAL TOLERANCES: (UNLESS SPECIFIED)		SCALE	DESIGN UNITS	THIRD ANGLE PROJECTION	PROJECT NO. -	-	-
			mm	INCH	-	<input type="checkbox"/> mm <input checked="" type="checkbox"/> INCH	<input checked="" type="checkbox"/> THIRD ANGLE PROJECTION	SHT	REV	
REV	DRAWING NO.	MATERIAL NO.	DRAWN BY & DATE		CHECKED BY & DATE		TITLE:			
			8705XX	SEE CHART	SD-39870-003	2 OF 2	PLUGGABLE SR BTS ASSY. (5.00 [1.197] CENTERS)	MOLEX INCORPORATED		
DRAFT WHERE APPLICABLE MUST REMAIN WITHIN DIMENSIONS			APPROVED BY & DATE		CAD FILENAME		THIS DRAWING CONTAINS INFORMATION THAT IS PROPRIETARY TO MOLEX INCORPORATED AND SHOULD NOT BE USED WITHOUT WRITTEN PERMISSION.			
			P. WALTZ 08-25-03		8705XX		SIZE B			