

Negative Battery Voltage SLIC Protection

GR-1089-CORE Intra-building Solution

Solution Products



TBU-PL060-200-WH



MOV-10D201K

Design Kit



PN-DESIGNKIT-20

Objective

The SLIC (Subscriber Line Interface Circuit) provides all the BORSCHT functions such as battery, ringing, supervision between the codec and telephone hand set. This PortNote[®] solution protects negative battery voltage solutions against surge and power contact threats.

Solution

- 1 TBU[®] High-Speed Protector:
TBU-PL060-200-WH
- 2 MOV Devices: MOV-10D201K

Compliance

- GR-1089-CORE intra-building, issue 5, port type 4.
- 120 V_{rms}, 25 A, 900 seconds withstand.
- 130 V_{rms} maximum AC withstand.
- Increased surge level to 5 kV, 500 A 2/10 μs.

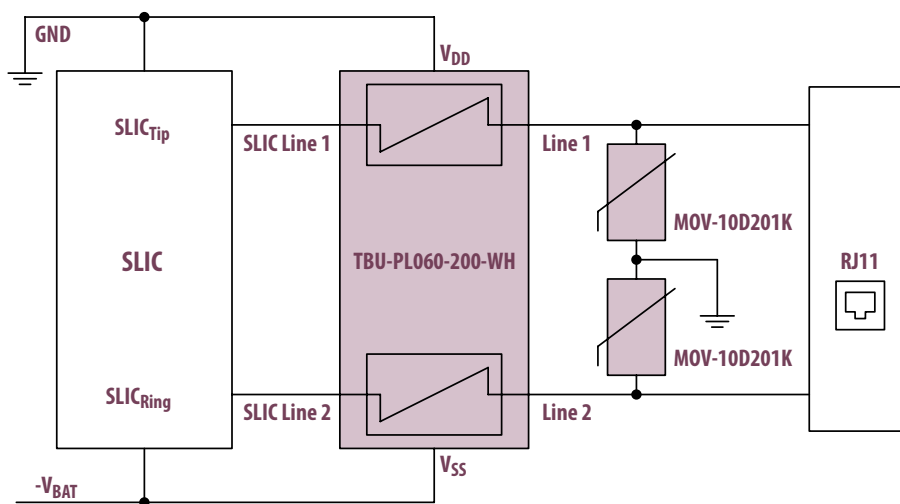
Alternate Recommendations

Other PortNote[®] Solutions:

- SLIC Protection - GR-1089-CORE Intra-building Solution
- Negative Battery Voltage SLIC Protection - ITU-T Solution
- Dual Supply Voltage SLIC Protection - ITU-T Solution

Benefit

This solution provides a high level of protection in a small PCB area.



The schematic above illustrates the application protection and does not constitute the complete circuit design. Customers should verify actual device performance in their specific applications.