

APPROVED: \_\_\_\_\_  
 DATE: \_\_\_\_\_ TITLE: \_\_\_\_\_

| Rev | AWO # | Description  | Date     | Appr   |
|-----|-------|--------------|----------|--------|
| -   |       | RELEASED     | 12/15/21 |        |
| A   |       | UPDATE SPEC. | 3/14/22  | WX/LL1 |

**SPECIFICATIONS:**

**Material:**

|            |                   |       |
|------------|-------------------|-------|
| Stickers   | PC                | Black |
| Main body  | 165mm             | Black |
| Base       | ∅46.5mm           | Black |
| RG174Cable | RG174Cable,2150mm | Black |
| SMA        | SMA-M             | Gold  |

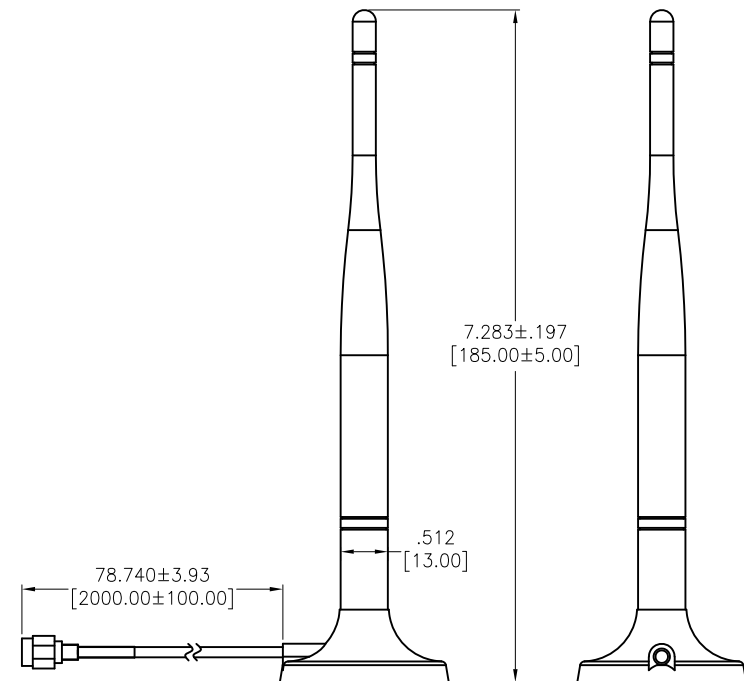
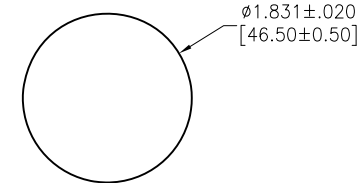
**Electrical:**

| Standards            | 4G/3G/2G/NB-IoT/CAT M1 |              |
|----------------------|------------------------|--------------|
| Frequency range(MHz) | 824~960MHz             | 1710~2690MHz |
| Peak Gain            | -0.5~1.5dBi            | -0.5~0.5dBi  |
| Average Gain(dB)     | -3.9~-2.9dB            | -7.5~-5.2dB  |
| VSWR                 | <2.5                   | <3.0         |
| Return Loss          | <-7.0                  | <-6.0        |
| Efficiency (%)       | 40~51%                 | 18~30%       |
| Polarization mode    | Linear                 |              |
| Radiation pattern    | Omni-Directional       |              |
| Output impedance     | 50                     |              |
| Max.Input Power(W)   | 5                      |              |

**Mechanical:**

|                       |                   |
|-----------------------|-------------------|
| Mounting Type         | Magnetic          |
| Connector Type        | SMA Male+2M Cable |
| Antenna size(mm)      | ∅46.5mm*185mm     |
| Material              | ABS+PC            |
| Operating Temperature | -40°C~+85°C       |
| Storage Temperature   | -40°C~+85°C       |

**Environmental:**  
 Lead free, RoHS compliant.



UNLESS OTHERWISE SPECIFIED ALL DIMENSIONS ARE INCHES [MM]. TOLERANCES: EXCEPT AS NOTED

| INCHES |       | HOLES |       |
|--------|-------|-------|-------|
| .x     | ±.10  | ∅.x   | ±.10  |
| .xx    | ±.020 | ∅.xx  | ±.015 |
| .xxx   | ±.015 | ∅.xxx | ±.010 |

**ADAM TECH**

909 Rahway Avenue,  
 Union, NJ 07083  
 Phone: 908-687-5000  
 Fax: 908-687-5710

|          |    |          |
|----------|----|----------|
| DRAWN    | WX | 12/15/21 |
| CHECKED  | RC | 12/15/21 |
| APPROVED |    |          |

TITLE  
**4G&3G&2G EXTERNAL SUCKER MAGNETS ANTENNA**

THIS DRAWING CONTAINS INFORMATION THAT IS PROPRIETARY AND SHOULD NOT BE USED WITHOUT PRIOR WRITTEN PERMISSION FROM ADAM TECH

|              |                           |              |
|--------------|---------------------------|--------------|
| SIZE<br>X    | PART NO.<br>ANT-19031EB78 | REV.<br>A    |
| REF: S00207C | SCALE: NTS                | SHEET 1 OF 1 |