

Safety magnetic sensors

Magnetic units

CLS series

CARLO GAVAZZI



- Multiple flux coded magnets
- Rectangular shape (CLS)
- Cylindrical shape plastic (CLSA2, CLSA3)
- Cylindrical shape metal (CLSA2M)

Product Description

The coded magnet series with SMS Safety magnetic includes multiple flux sensors. Also metallic case is available (CLSA2M).
rectangular and cylindrical magnets to be used together

Ordering Key

CLS A2 M

Safety Magnetic unit _____
Housing _____
Case Material _____

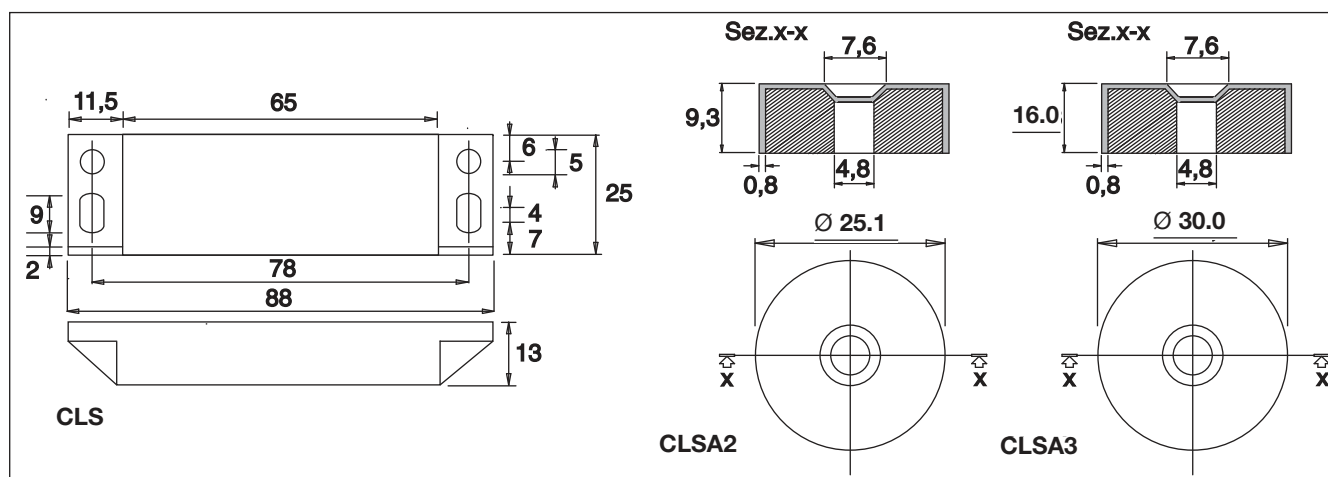
Type Selection

| Body shape | Dimensions | Case material | Item code | Item Code (UL) |
|-------------|------------------|-----------------|-----------------|---------------------|
| Rectangular | 88 x 25 x 13 mm | Plastic | CLS | CLS D88 P M0 |
| Cylindrical | Ø 25.1 x 9.3 mm | Plastic | CLS A2 | CLS A25 P C0 |
| Cylindrical | Ø 25.1 x 9.3 mm | Stainless steel | CLS A2 M | CLS A25 M N0 |
| Cylindrical | Ø 30.0 x 16.0 mm | Plastic | CLS A3 | CLS A30 P E0 |

General Specifications

| Housing | | Weight | |
|------------|--|--|--|
| Dimensions | CLS 88x25x13 mm CLSA2 Ø 25.1 x 9.3 mm CLSA3 Ø 30.0 x 16.0 mm | CLS Approx. 35 g CLSA2 Approx. 13 g CLSA2M Approx. 25 g CLSA3 Approx. 18 g | |
| Material | CLS, CLSAXPXX, CLSA25M Plastic Stainless steel | Environment Degree of protection IP 67 Operating temperature -25 to +70 °C Storage temperature -25 to +70 °C | |

Dimensions



Safety Magnetic Sensors