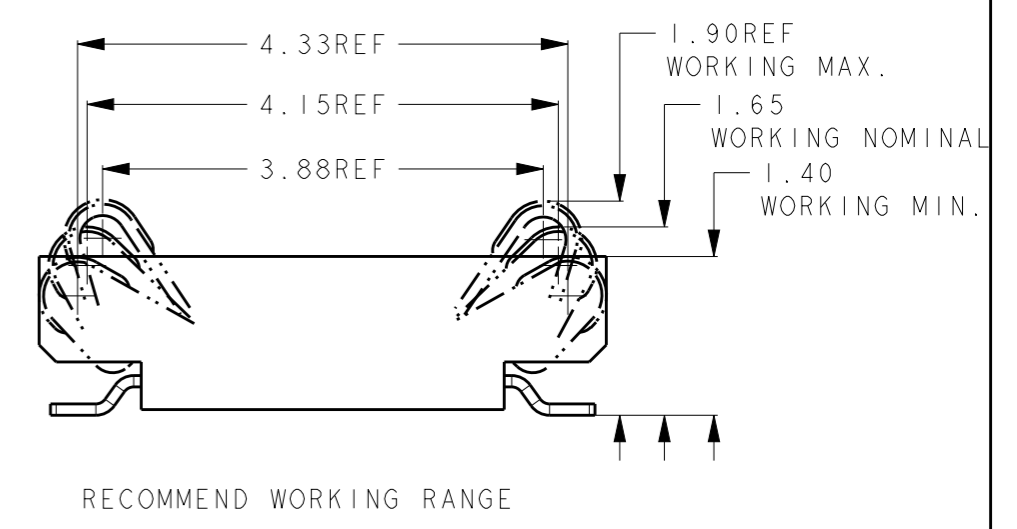
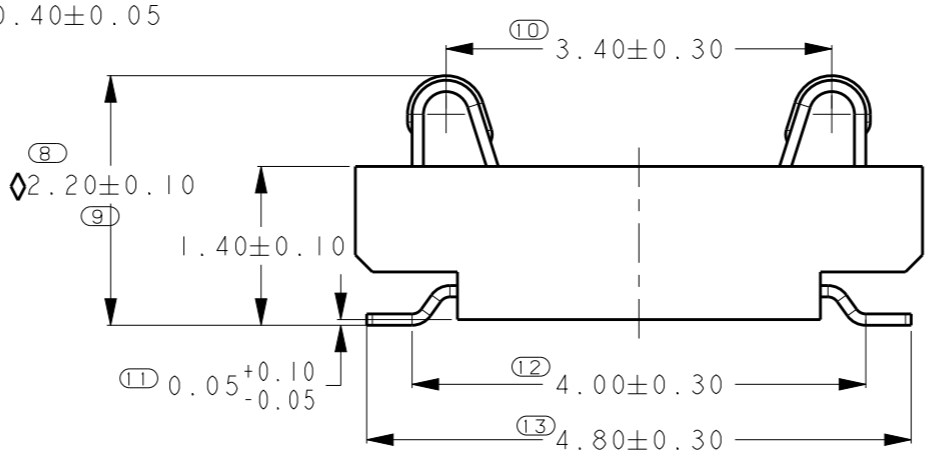
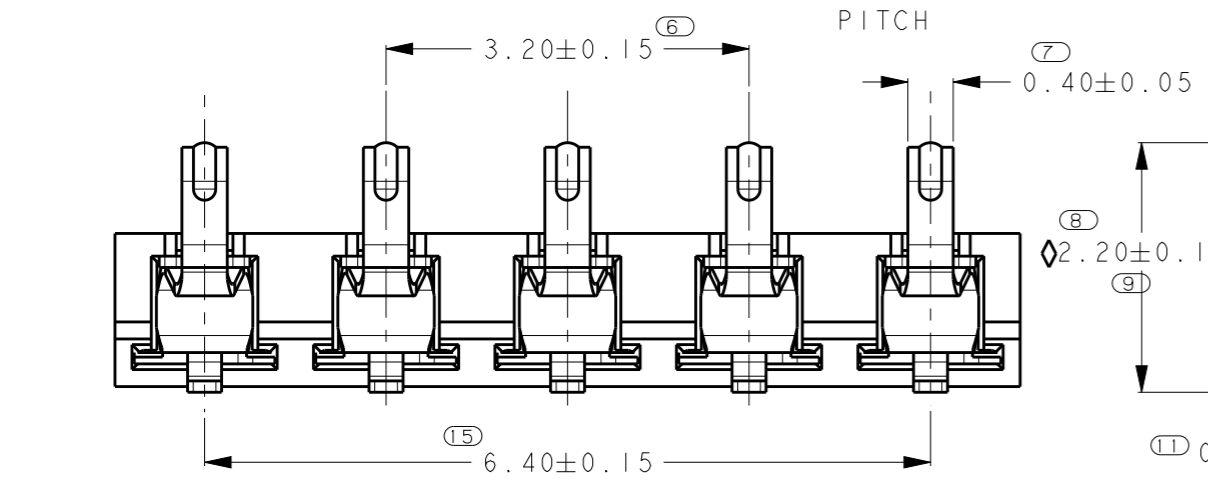
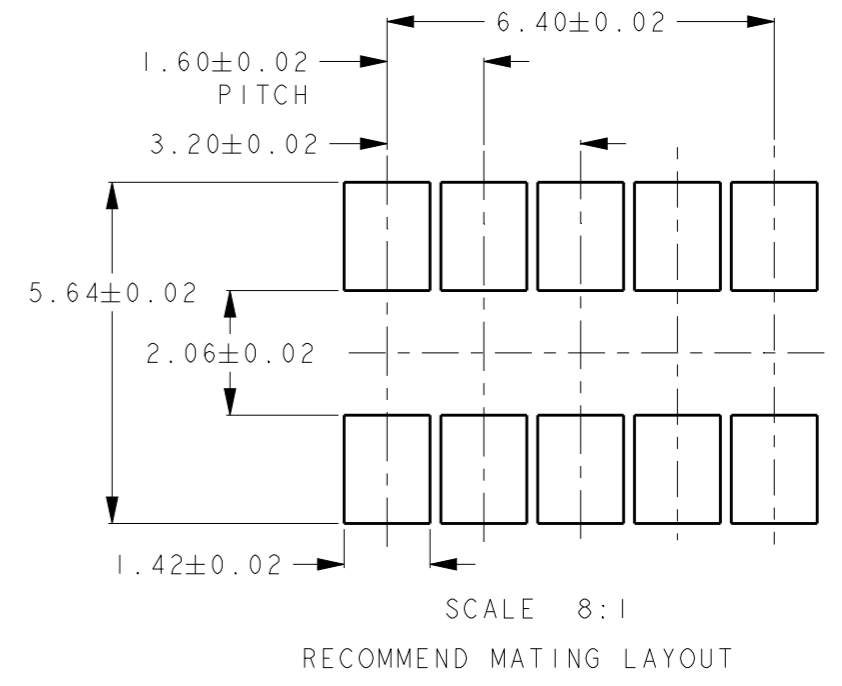
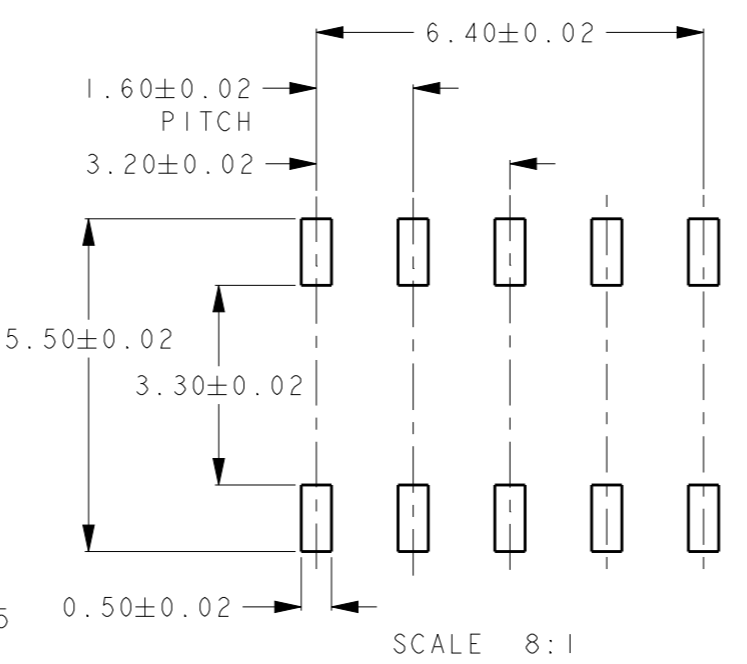
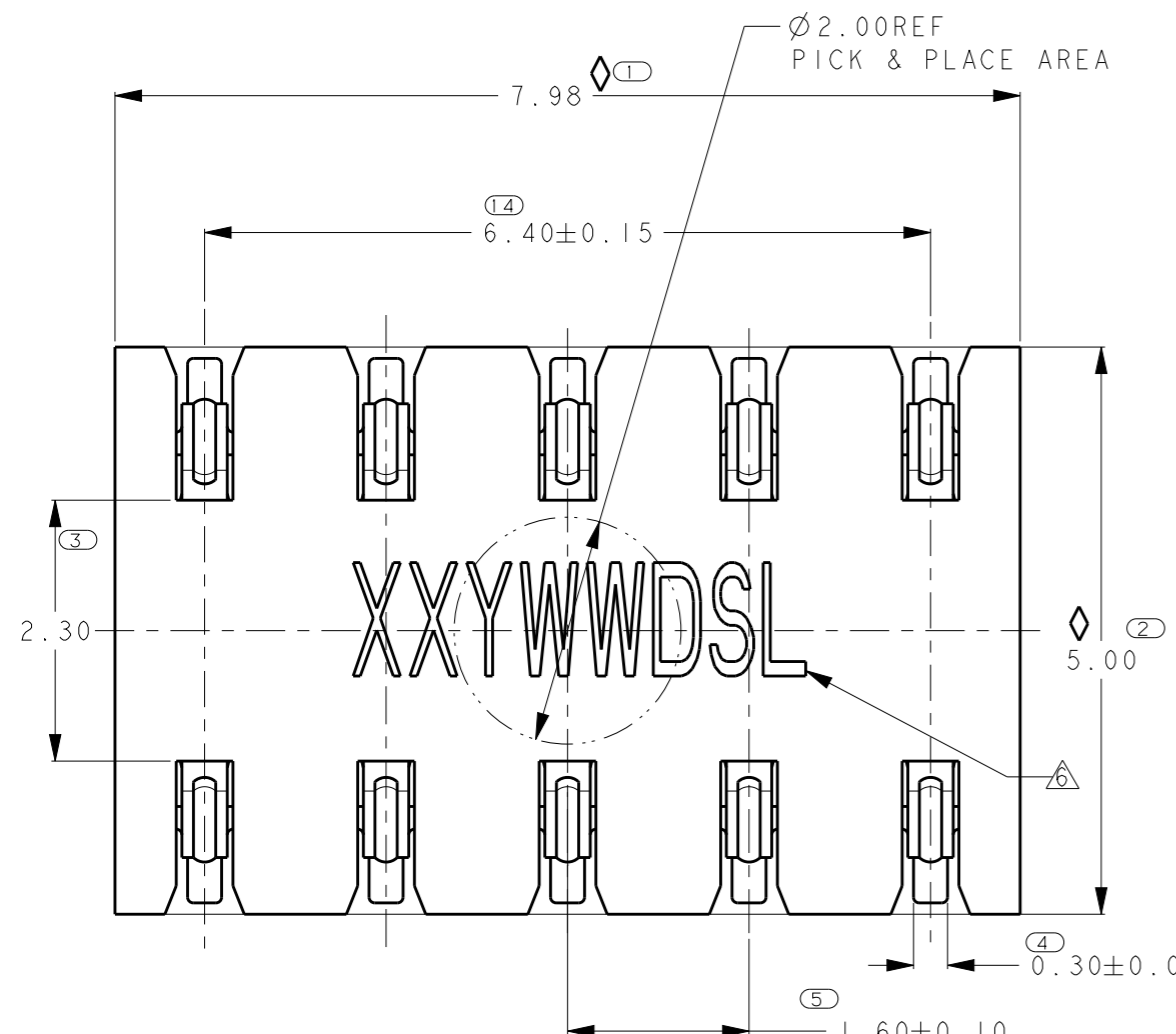


THIS DRAWING IS UNPUBLISHED. RELEASED FOR PUBLICATION 20
 © COPYRIGHT 20 ALL RIGHTS RESERVED.

LOC	DIST	REVISIONS				
P	LTR	DESCRIPTION	DATE	DWN	APVD	
ES		A	INITIAL	20MAR2013	R.W S.Y	

AS SHOWN: 2199035-2



NOTES:
 MATERIAL: COPPER ALLOY, THICKNESS 0.10mm.
 HOUSING: HIGH TEMPERATURE THERMAL PLASTIC UL94V-0 BLACK
 FINISH: TERMINAL: 0.10-0.2 um GOLD PLATING ON CONTACT AREA, 1.25 um MIN. NICKLE UNDER PLATING, GOLD FLASH PLATING ON SOLDERING AREA.
 COPLANARITY: 0.08 MAX. AMANG ALL SOLDER TAILS.
 PACKAGING: TAPE & REEL.
 NMP CODE: 5469B96.
 DATE CODE: "XXYWWSL"
 XX = VERSION NO. FOR EXAMPLE: PI, VI, AI
 P = PROTO TOOL; V = PRODUCTION TOOL; A = MASS APPROVED.
 YWWD = PRODUCTION DATE (YEAR, WEEK, DAY).
 S = SHIFT (D=DYA, N=NIGHT); L = LINE NUMBER.

THIS DRAWING IS A CONTROLLED DOCUMENT.		DWN	20MAR2013	 TE Connectivity	NAME		ONE PIECE BtoB CONNECTOR					
DIMENSIONS:		CHK	20MAR2013		PRODUCT SPEC		10 PINS, 1.6MM PITCH, HI. 65, TWO ROWS					
mm		APVD	20MAR2013		APPLICATION SPEC		108-115039					
TOLERANCES UNLESS OTHERWISE SPECIFIED: ±0.20		STEVEN YAO			WEIGHT		0.101g					
0 PLC ± 1 PLC ± 2 PLC ± 3 PLC ± 4 PLC ± ANGLES ±5°		MATERIAL		CUSTOMER DRAWING		SIZE	A300779	CAGE CODE	C-2199035	DRAWING NO	RESTRICTED TO	-
FINISH		SCALE		SHEET		OF		REV		A		

4

3

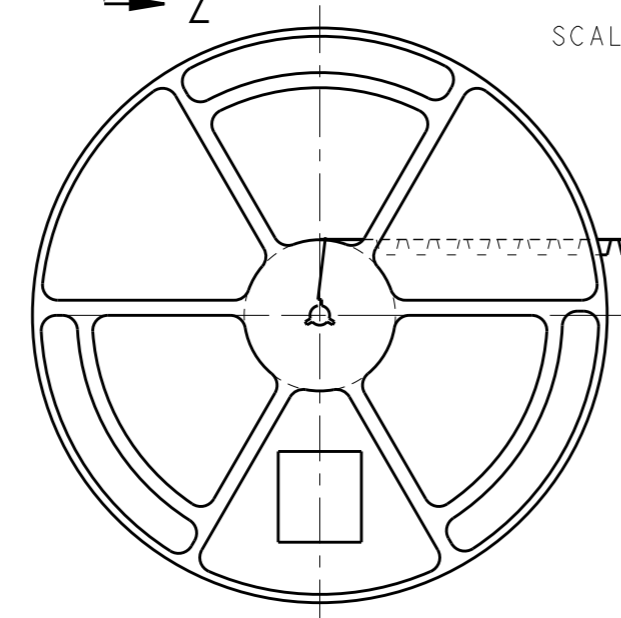
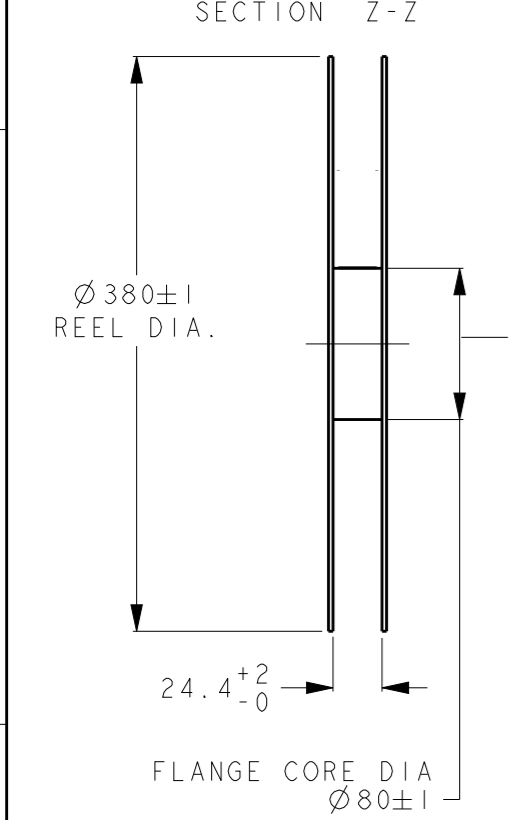
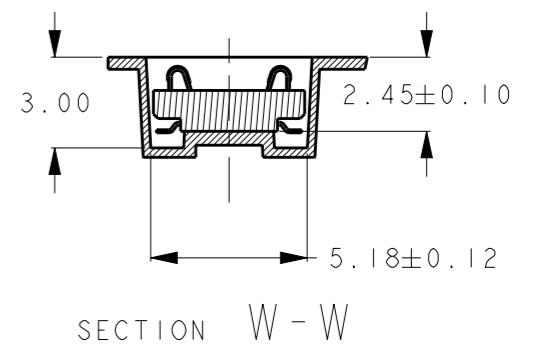
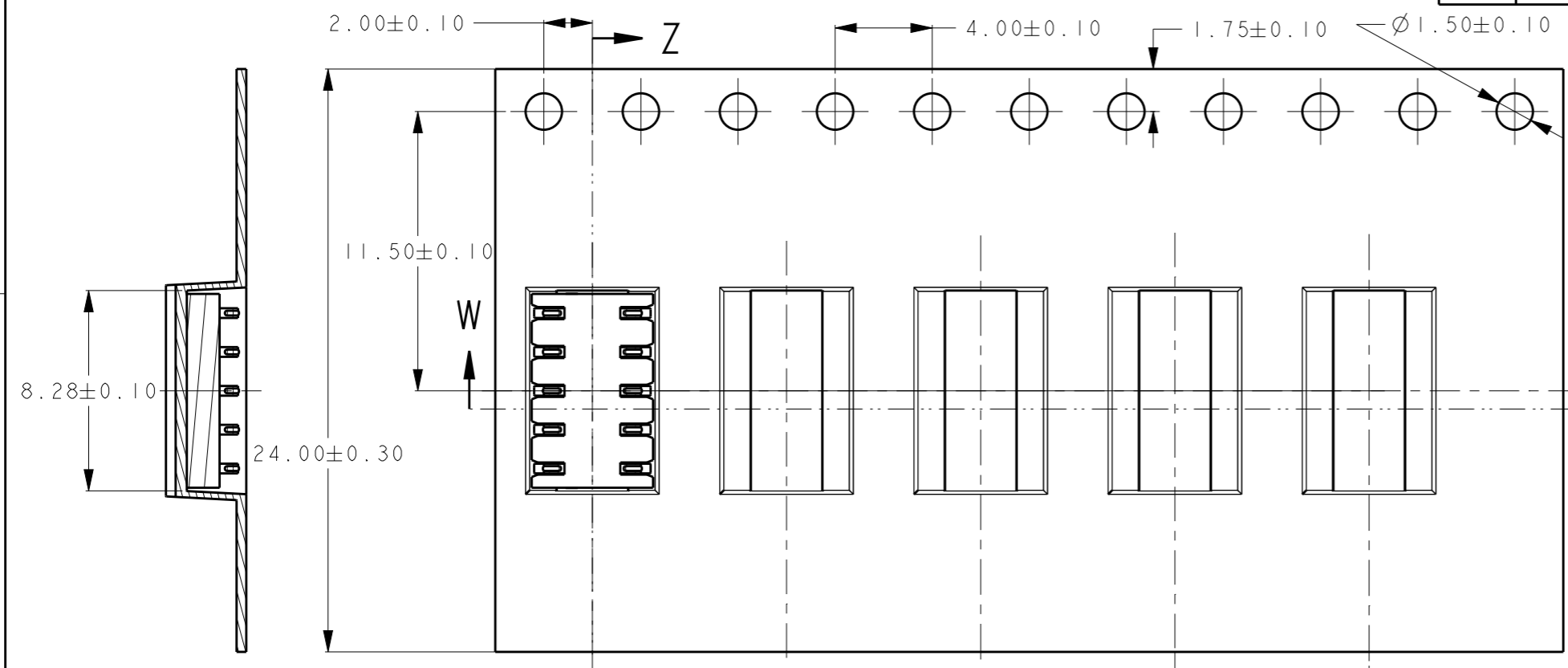
2

1

THIS DRAWING IS UNPUBLISHED. RELEASED FOR PUBLICATION 20 ALL RIGHTS RESERVED.

LOC ES DIST

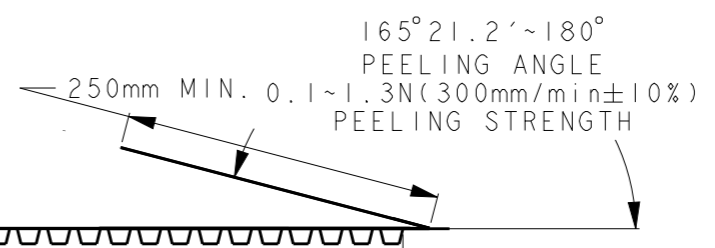
REVISIONS					
P	LTR	DESCRIPTION	DATE	DWN	APVD
-	-	SEE SHEET 1	-	-	-



40mm MIN. WITHOUT CHARGE SEALED WITH COVER TAPE


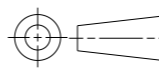
WITH PRODUCT CHARGE 3500 PCS/IREEL

100mm MIN. WITHOUT CHARGE SEALED WITH COVER TAPE



SCALE 4:1

NOTES:
 1. MATERIAL: P.S CLEAR, 0.4MM THICKNESS.
 2. QUANTITY PER REEL: 3500 PIECES.

THIS DRAWING IS A CONTROLLED DOCUMENT.		DWN	20MAR2013	 TE Connectivity	NAME ONE PIECE BtoB CONNECTOR 10 PINS, 1.6MM PITCH, HI.65 TWO ROWS
		CHK	20MAR2013		
		APVD	20MAR2013		
		PRODUCT SPEC			
DIMENSIONS: mm		TOLERANCES UNLESS OTHERWISE SPECIFIED: ±0.20		APPLICATION SPEC	
		0-PLC ± 1-PLC ± 2-PLC ± 3-PLC ± 4-PLC ± ANGLES ±5°		RESTRICTED TO	
MATERIAL		FINISH		SIZE	A300779
				CAGE CODE	C-2199035
				DRAWING NO	
				WEIGHT	
				SCALE	15:1
				SHEET	2 OF 2
				REV	A
				CUSTOMER DRAWING	