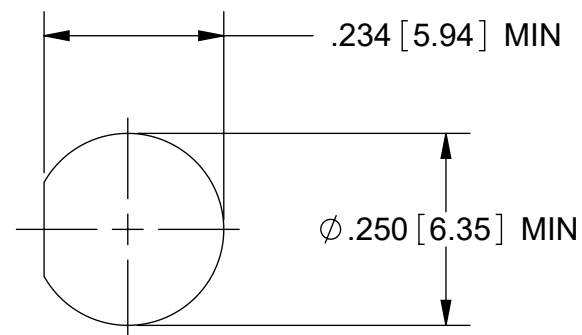
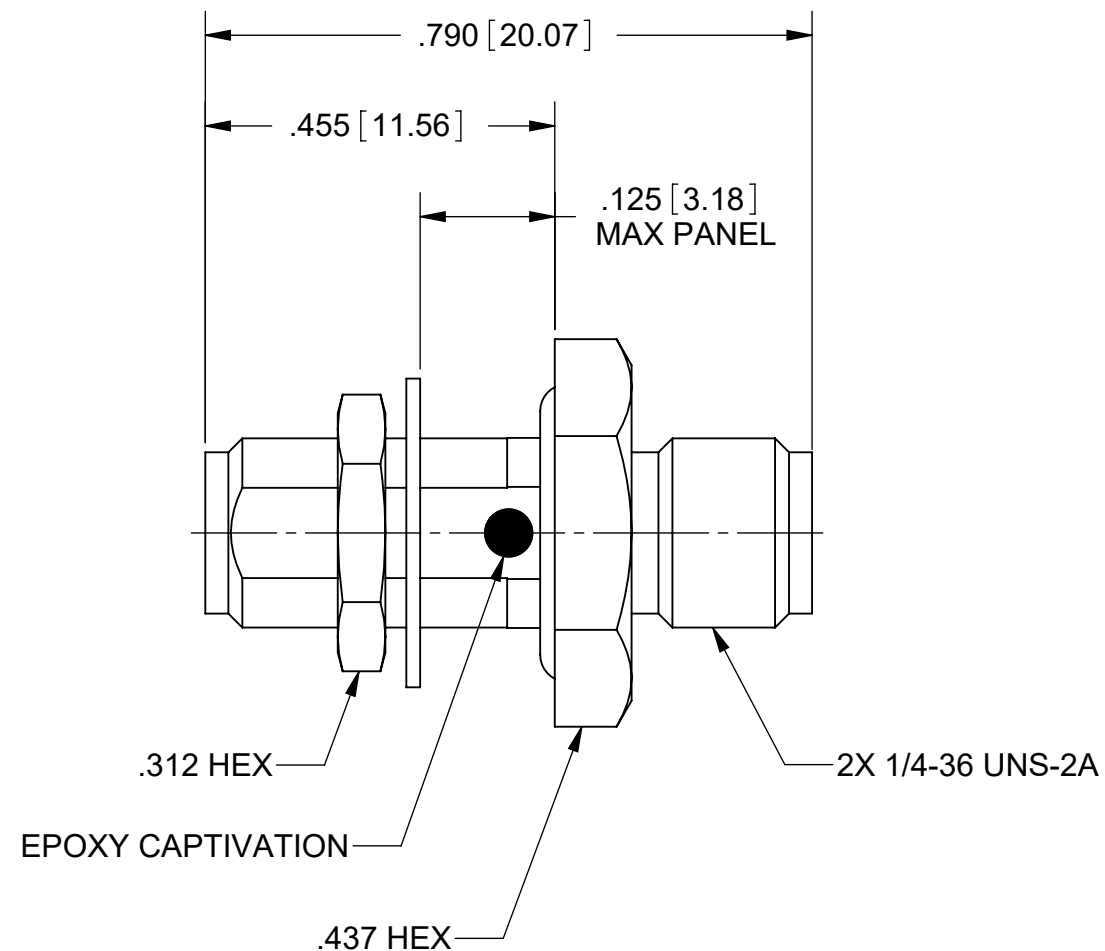
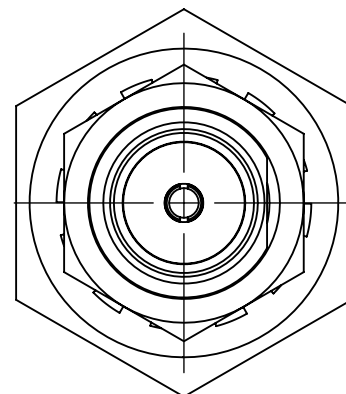


PRODUCT DATA DRAWING

REVISION HISTORY			
REV	DESCRIPTION	DATE	APPROVED
-	NRN 44867	05/20	STW



RECOMMENDED MOUNTING HOLE

- MATERIAL:**
- BODY, CONTACT & HEX NUT: BERYLLIUM COPPER
 - INSULATOR: PTFE
 - O-RING: SILICONE RUBBER
 - LOCK WASHER: PHOSPHOR BRONZE

- FINISH:**
- BODY, CONTACT, LOCK WASHER & COUPLING NUT: GOLD OVER COPPER

- PERFORMANCE:**
- IMPEDANCE: 50 OHMS
 - FREQ. RANGE: DC TO 18.0 GHz.

MATERIAL: SEE NOTES	DIMENSIONS ARE IN INCHES TOLERANCES: FRACTIONAL: ±1/64 ANGULAR: X° ±1'0" X°X' ±15'	UNLESS OTHERWISE SPECIFIED 1) ALL DIMENSIONS ARE IN INCHES (MILLIMETERS) 2) ALL DIMENSIONS ARE AFTER PLATING. 3) BREAK CORNERS & EDGES .005 R. MAX. 4) CHAM. 1ST & LAST THREADS. 5) SURFACE ROUGHNESS 63-MIL-STD-10. 6) DIA: 'S ON COMMON CENTERS TO BE CONCENTRIC WITHIN .005 T.I.R. 7) REMOVE ALL BURRS	 TITLE: SMA JACK TO JACK (NON-MAGNETIC) BULKHEAD ADAPTER SIZE DWG. NO. B 1129-4004
FINISH: SEE NOTES	DECIMAL: X ±.030 .XX ±.010 .XXX ±.005	INTERPRET DIMENSIONS AND TOLERANCES PER ASME Y14.5M - 1994	
SURFACE AREA: N/A	THIRD ANGLE PROJECTION	DRAWN: KRR 05/27/20 CHECKED: STW 05/27/20 APPROVED: STW 05/27/20	SCALE: 4:1
<p>PROPRIETARY</p> <p>THE INFORMATION CONTAINED IN THIS DRAWING IS THE SOLE PROPERTY OF SV MICROWAVE, INC. ANY REPRODUCTION IN PART OR AS A WHOLE WITHOUT THE WRITTEN PERMISSION OF SV MICROWAVE, INC IS PROHIBITED.</p>			SHEET 1 OF 1