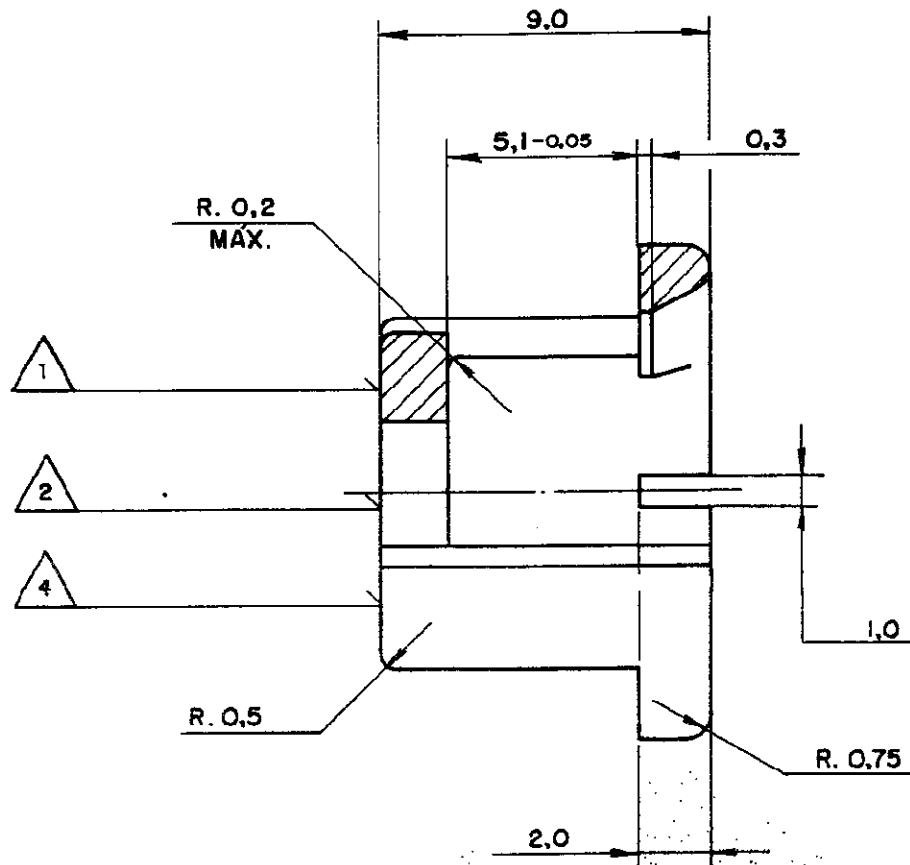


C881307

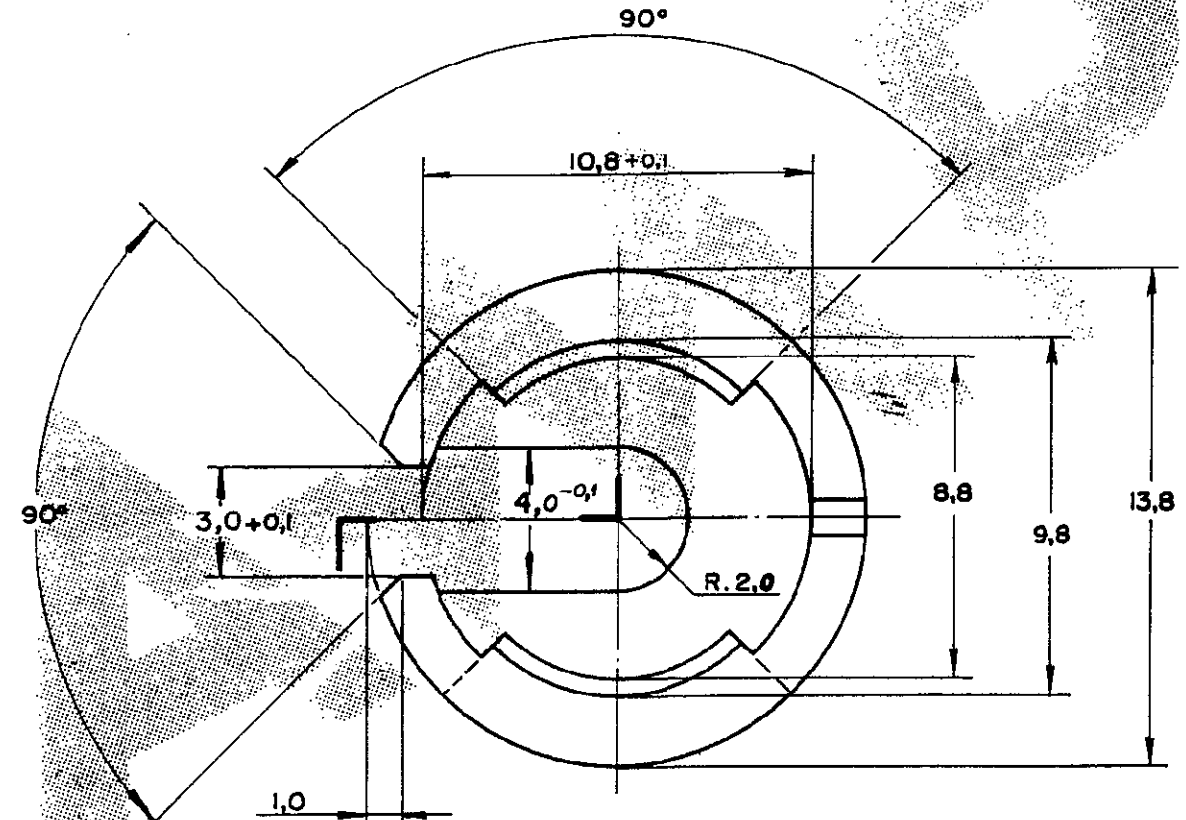
DO NOT SCALE  
DIMENSIONS IN

**METRIC**

3rd ANGLE PROJECTION



**CORTE AA**



- ① - Nº VOLKSWAGEN: DIN 1451  
- VOLKSWAGEN Nº DIN 1451
- ② - MARCA REGISTRADA VOLKSWAGEN: VW 105-14  
- VOLKSWAGEN TRADEMARK: VW 105-14
- ③ - MARCA REGISTRADA AMP: 105-40  
- AMP TRADEMARK: 105-40
- ④ - PAÍS PRODUTOR: VW 105-40  
- COUNTRY OF ORIGIN: VW 105-40

|   |               |                  |  |   |
|---|---------------|------------------|--|---|
| 307972 613 1                                |               | VIOLETA / VIOLET | PA 66 25% ± 3% FVIDR. / G.F.   | 881307 - 1                                    |
| PART NUMBER VW                              |               | FINISH           | MATERIAL   | PART NUMBER                                   |
| CUSTOMER DWG<br>for REFERENCE ONLY          |               |                  | THIS DRAWING IS UNPUBLISHED. RELEASED FOR PUBLICATION.   |   |
|   |               |                  | © COPYRIGHT 1988 BY AMP DO BRASIL LTDA S.P. ALL INTERNATIONAL RIGHTS RESERVED. AMP PRODUCTS MAY BE COVERED BY U.S. AND FOREIGN PATENTS AND/OR PATENTS PENDING. |   |
|   |               |                  | TOLERANCES UNLESS OTHERWISE STATED<br>DEC. ± 0,1<br>ANGLES ± 1°  | INS. DIA. RANGE<br>WIRE RANGE<br>SCALE<br>5:1 |
|   |               |                  | AMP do BRASIL LTDA.<br>São Paulo, Brasil   |   |
| C1 REVISED BY EC-314/98 NCL PLF/AF 01/01/98 |               |                  | DR LOUÇA - 08/04/86  |   |
| C   | REVISADO      | P.S.B            | 23-88  | CHK   |
| B   | REVISADO      | P.S.B            | 26-88  | 22/4/86                                       |
| A   | REVISADO      | P.S.B            | 12-1-97  | DE  |
| O   | ERA P85-29346 | 13.08.86         |  |   |
| ISS REVISION RECORD                         |               |                  | DR   | CHK   |
|   |               |                  | DATE   | APP   |
|   |               |                  | AP 30  | 86  |
|   |               |                  | A3   | DWG NO  |
|   |               |                  | C 881307   | SHEET   |
|   |               |                  |  | 1 of 1  |