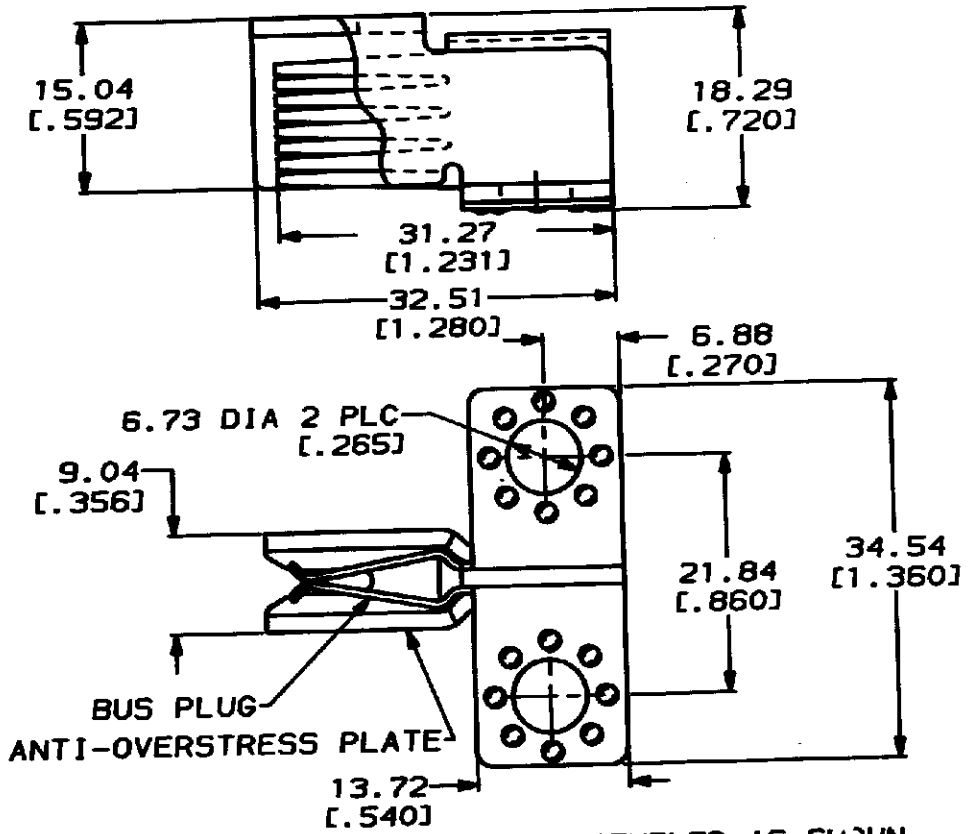


DRAWING MADE IN THIRD ANGLE PROJECTION

LOC	DIST	P	F	LTR	DESCRIPTION	DATE	APPROVED
BG	5				REVISION PER BG 648	04/92	<i>Gene</i>

THIS DRAWING IS UNPUBLISHED. RELEASED FOR PUBLICATION BY AMP OF CANADA LTD. ALL INTERNATIONAL RIGHTS RESERVED. COPYRIGHT 19



1. PARTS ASSEMBLED AS SHOWN
2. ALL DIMENSIONS REFERENCE ONLY



104736-1
PART NO

DO NOT SCALE PRINT. UNLESS SPECIFIED DIMENSIONS IN mm (IN) TOLERANCES ON:	DR 18-3-90 0 DENTY
2 PLC DEC ±	CHK 6.4-11/92
3 PLC DEC ±	APPD -
ANGLES ±	APPD -
MATERIAL	APPD -
BUS PLUG, COPPER ALLOY	PRODUCT SPEC
ANTI-OVERSTRESS PLATE, S.S.	108-1380
FINISH	APPLICATION SPEC
BUS PLUG, Ag/Ni	114-2130
ANTI-OVERSTRESS PLATE, PASSIVATED	WEIGHT -

AMP AMP of CANADA Ltd. Markham, Ont.		
NAME AMP PDS 062F BUS PLUG W/GUIDE (SHORT)		
SIZE A	CAGE CODE 09482	DRAWING NO 104736
SCALE NTS	SHEET 1 of 1	

AMP 1488-32 REV 11-88
12 00 000 11.55.85

CUSTOMER DRAWING