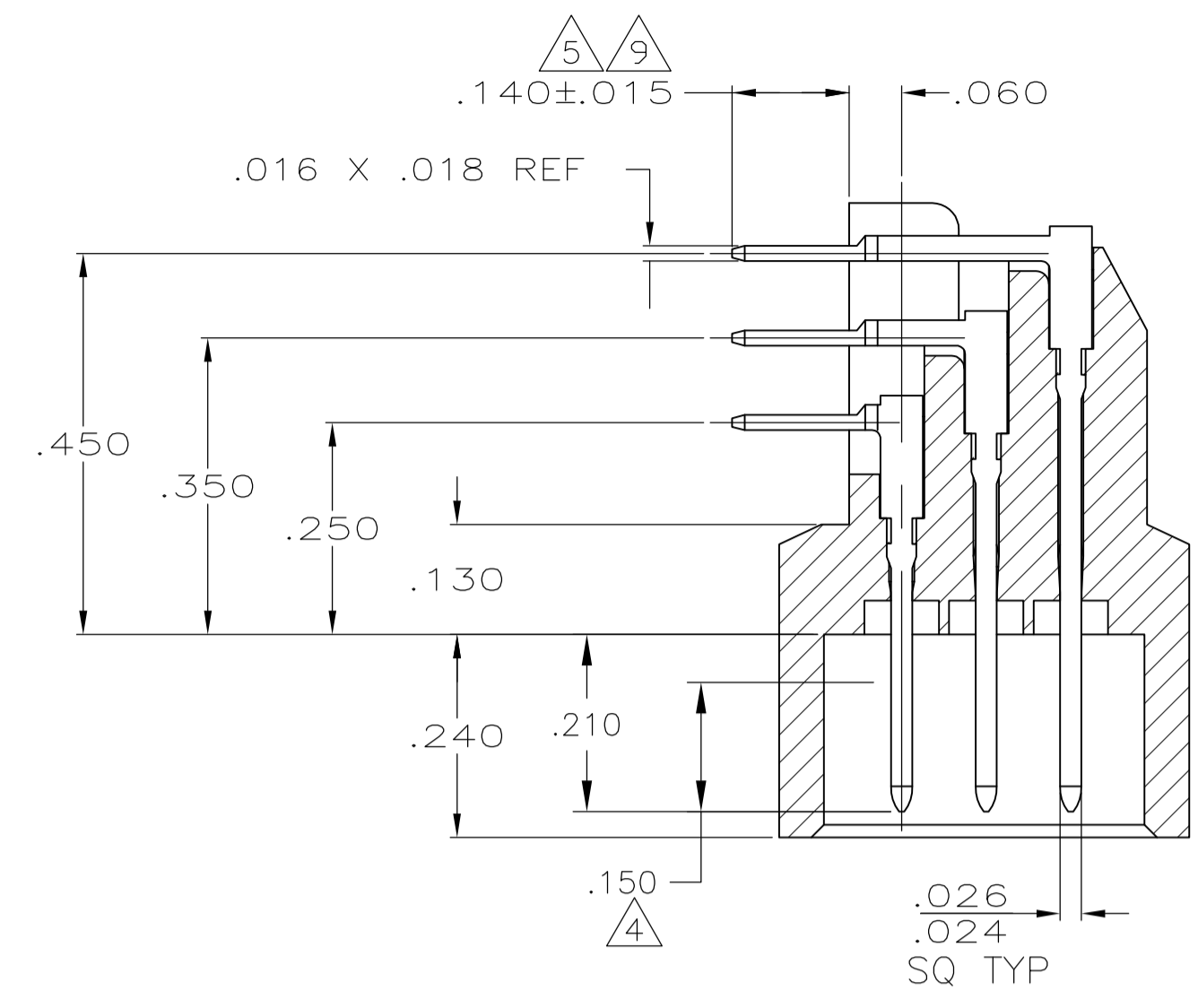
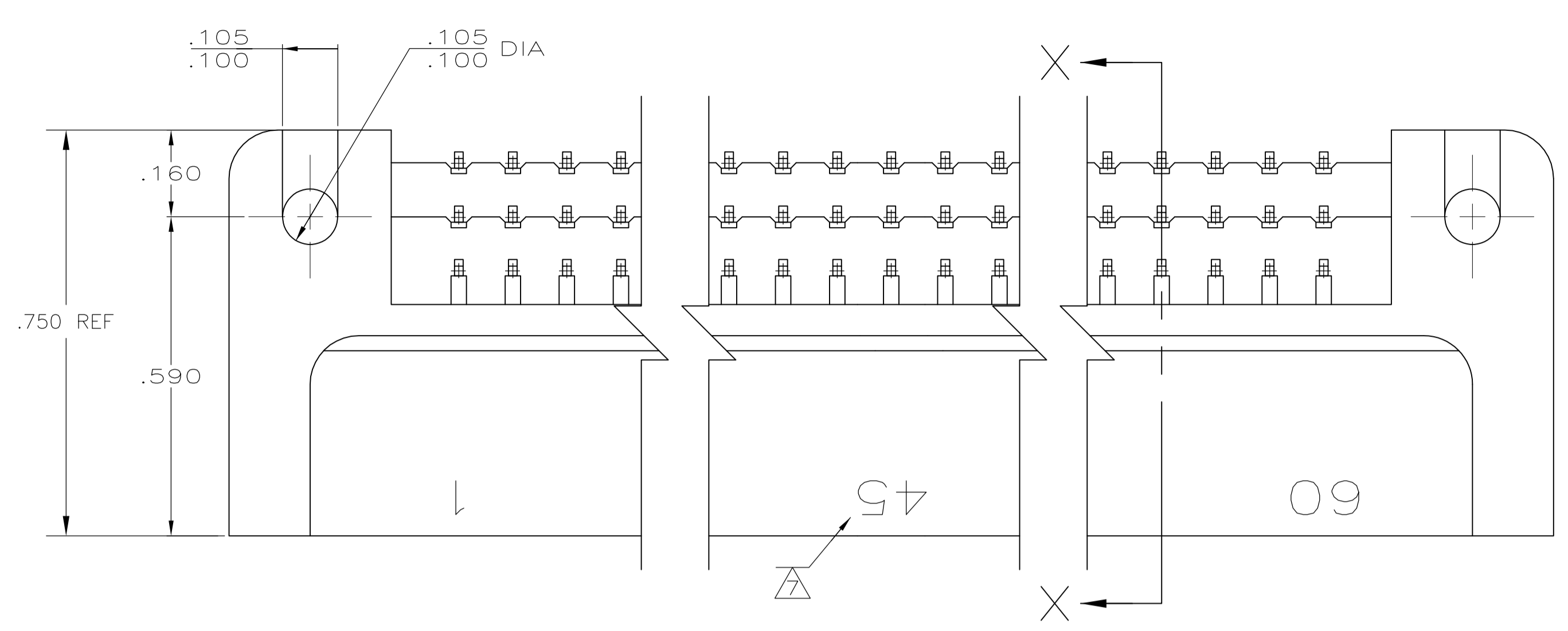
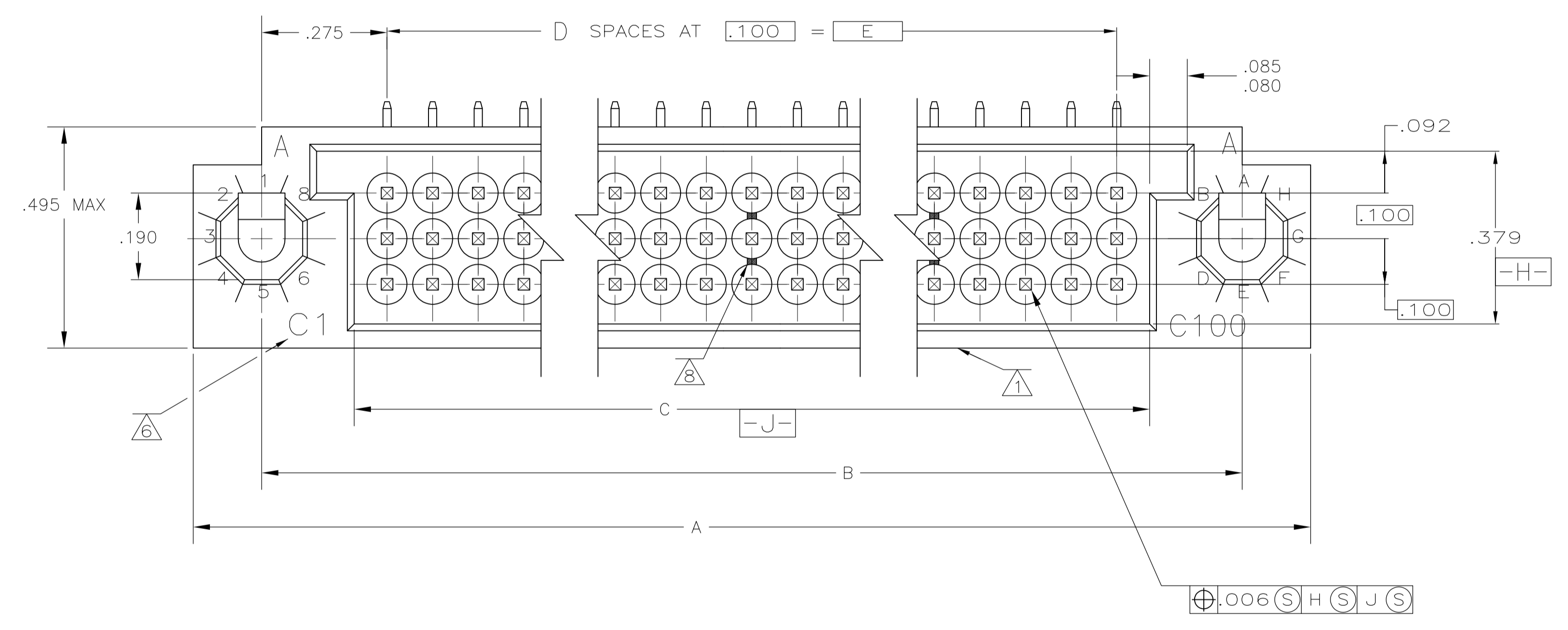


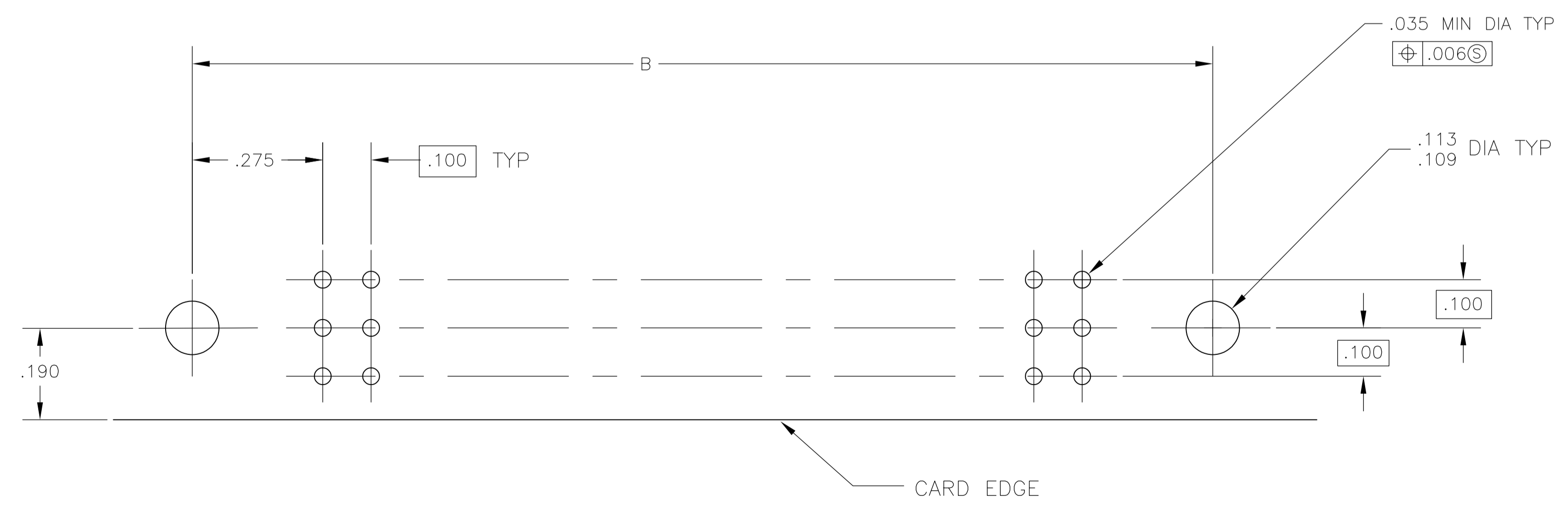
REVISIONS					
REV	BY	DESCRIPTION	DATE	APP'D	REV
H	REV PER ECO	17-011655	8-22-17	CT	RL



SECTION X-X



- ① AMP, DATE CODE, & PART NO. MARKED THIS AREA.
- ② HOUSING MATERIAL: POLYPHENYLENE SULFIDE, GST-40F, PER MIL-M-24519.
- ③ CONTACT MATERIAL: BRASS
- ④ FINISH: .000030 GOLD OVER .000050 NICKEL IN CONTACT AREA.
- ⑤ FINISH: .000100 TIN LEAD OVER .000050 NICKEL.
- ⑥ LETTERS INDICATING OUTSIDE ROWS AND NUMBERS INDICATING END CAVITIES MARKED THIS SURFACE.
- ⑦ NUMBERS INDICATING EVERY FIVE CAVITIES MARKED ON BOTH SIDES.
- ⑧ LINES INDICATING EVERY FIVE CAVITIES MARKED ON MATING FACE.
- ⑨ FINISH: .000100 TIN OVER .000050 NICKEL.



PC BOARD LAYOUT

REV	BY	DESCRIPTION	DATE	APP'D	REV			
⑨		4.900	49	5.044	5.450	5.750	150	5-531137-4
⑧		3.400	34	3.544	3.950	4.250	105	5-531137-2
⑨		2.900	29	3.044	3.450	3.750	90	5-531137-1
⑧	OBSOLETE	9.900	99	10.044	10.450	10.750	300	1-531137-5
⑧	OBSOLETE	8.900	89	9.044	9.450	9.750	270	1-531137-4
⑧	OBSOLETE	6.400	64	6.544	6.950	7.250	195	1-531137-3
⑧	OBSOLETE	4.400	44	4.544	4.950	5.250	135	1-531137-2
⑧	OBSOLETE	3.200	32	3.344	3.750	4.050	99	1-531137-1
⑧	OBSOLETE	4.100	41	4.244	4.650	4.950	126	1-531137-0
⑧	OBSOLETE	4.000	40	4.144	4.550	4.850	123	531137-9
⑧	OBSOLETE	7.900	79	8.044	8.450	8.750	240	531137-8
⑧	OBSOLETE	6.900	69	7.044	7.450	7.750	210	531137-7
⑧	OBSOLETE	5.900	59	6.044	6.450	6.750	180	531137-6
⑧	OBSOLETE	5.400	54	5.544	5.950	6.250	165	531137-5
⑧	OBSOLETE	4.900	49	5.044	5.450	5.750	150	531137-4
⑧	OBSOLETE	3.900	39	4.044	4.450	4.750	120	531137-3
⑧	OBSOLETE	3.400	34	3.544	3.950	4.250	105	531137-2
⑧	OBSOLETE	2.900	29	3.044	3.450	3.750	90	531137-1
E	D	C	B	A	NO. OF POSN.	PART NO		

THIS DRAWING IS A CONTROLLED DOCUMENT. **STE** TE Connectivity

DIMENSIONS: INCHES	TOLERANCES UNLESS OTHERWISE SPECIFIED:	DIN W. D. KISELA 4-6-93	CHK D. MILLER 5-10-93	APPROV D. MILLER 5-10-93	NAME		
0 PL ± -	1 PL ± -	2 PL ± -	3 PL ± .010	4 PL ± -	ANGLES ± -		
MATERIAL	FINISH	WEIGHT	0.000000	SIZE	CAGE CODE	DRAWING NO	RESTRICTED TO
② ③	④ ⑤ ⑨	①	000779	A1	00779	531137	—
CUSTOMER DRAWING		SCALE	5:1	SHEET	1 OF 1	REV	H