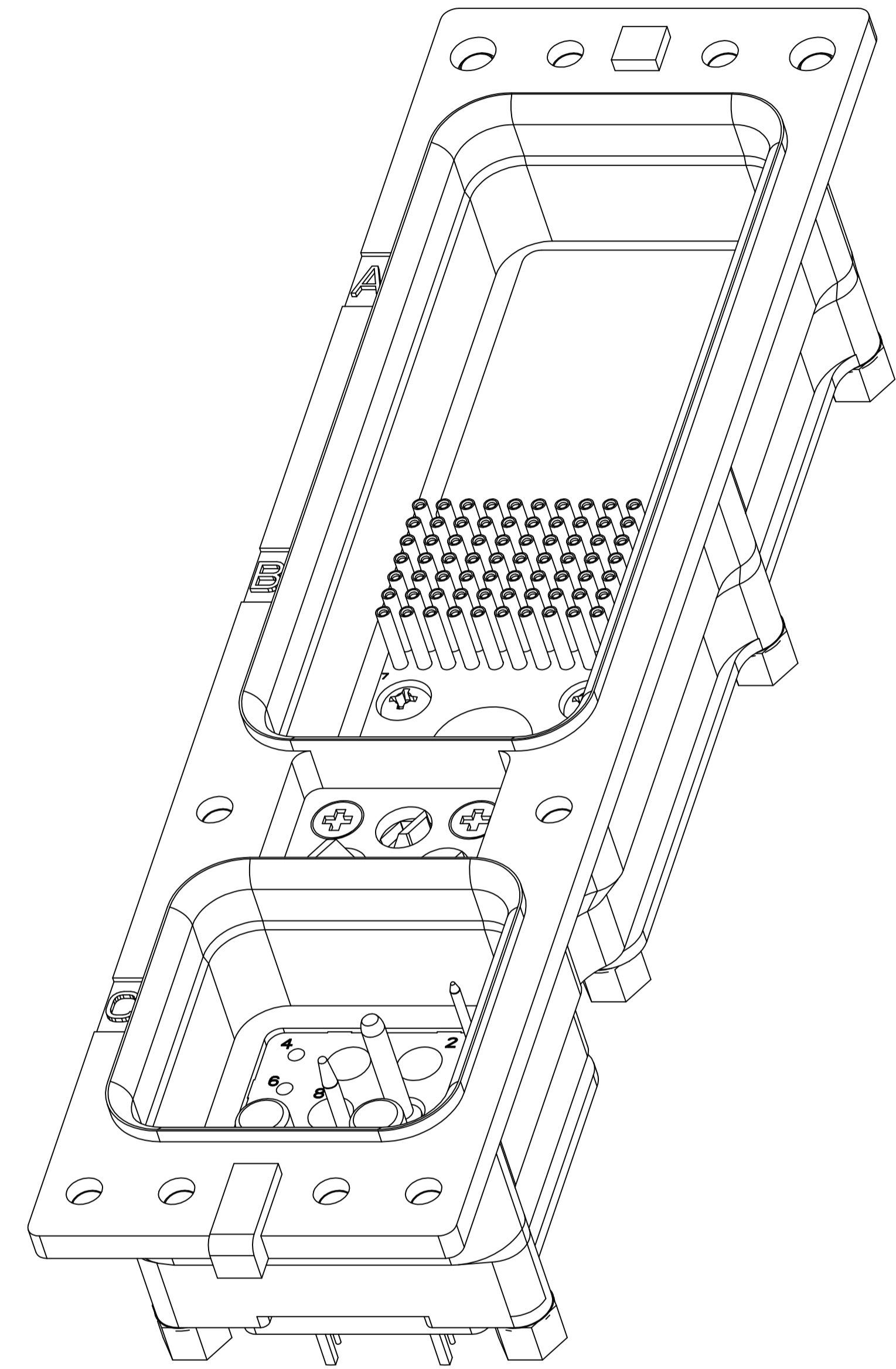


REVISIONS					
P	LTR	DESCRIPTION	DATE	DMN	APVD
F		REV PER ECO 16-007766	6-7-16	CT	EO



- CONNECTOR DIMENSIONS ARE PER ARINC 600 SPECIFICATION.
 - CONNECTOR IS SUPPLIED WITH A DUST COVER INSTALLED; NOT SHOWN.
 - KEYING SHOWN IN POSITION FOR ILLUSTRATION ONLY. CONNECTORS SHIPPED WITH KEYING INSTALLED IN POSITION PER TABLE. FOR POSITION "00" KEYING HARDWARE SHIPPED UNASSEMBLED.
 - ALL CONTACTS (EXCEPT SIZE 5) NOT SHOWN IN FRONT AND REAR VIEWS FOR CLARITY.
- 5 DIMENSION TO CONTACT POST IS WITH CONTACTS FULLY SEATED TO REAR OF CONTACT CAVITIES.
- 6 THE FOLLOWING CONTACTS AND FILLER PLUGS ARE LOADED IN THIS CONNECTOR:
 MODULE A:
 NONE
 MODULE B:
 P/N 211431-4 (SIZE 22 POSTED SOCKET CONTACT; QTY = 70)
 MODULE C:
 P/N 1663129-8 (SIZE 12 POSTED CONTACT; QTY = 1) POSITION 7.
 P/N 1663535-1 (POSTED SIZE 5 PIN COAX; QTY = 2) POSITIONS 12 & 13.
 P/N 1-1663128-0 (SIZE 16 POSTED; QTY = 1) POSITION 11.
 P/N 1663533-5 (SIZE 20 POSTED; QTY = 1) POSITION 1.
 P/N 1663767-6 (SIZE 20 FILLER PLUG; QTY = 3) POSITIONS 4, 5 & 6.
 P/N 1663767-7 (SIZE 16 FILLER PLUG; QTY = 2) POSITIONS 9, & 10.
 P/N 1663767-8 (SIZE 12 FILLER PLUG; QTY = 3) POSITION 2, 3 & 8.
- 7 HARDWARE FOR SIZE 1 CONTACTS INCLUDES RETAINER PLATE, P/N 1757721-1, QTY = 1 AND SCREWS, P/N 211558-1, QTY = 4. HARDWARE IS SHOWN ASSEMBLED BUT SHIPPED UNASSEMBLED.

COMPONENT	MATERIAL	FINISH
SHELL	ALUMINUM ALLOY A380 PER ASTM-B-85	ELECTROLESS NICKEL PER MIL-C-26074
RETENTION PLATES	ALUMINUM ALLOY PER ASTM-B-209	ELECTROLESS NICKEL PER MIL-C-26074
PAN HEAD SCREWS AND LOCKWASHERS	STAINLESS STEEL	PASSIVATED
FLAT HEAD SCREWS (FOR KEYING HARDWARE)	STAINLESS STEEL	PASSIVATED
POLARIZING KEYS	ZINC ALLOY PER ASTM-B-86	-
POLARIZING KEY RETAINING PLATE	ALUMINUM ALLOY PER ASTM-B-209	BLUE ANODIZED PER MIL-A-8625
DUMMY INSERT	TEFLON	-
71C1 & 13C2 INSERTS	THERMOSET OR THERMOPLASTIC PPS PER MIL-M-24519	-
SIZE 1 RETAINING PLATE	ALUMINUM ALLOY PER ASTM-B-209	ELECTROLESS NICKEL PER MIL-C-26074
STANDOFF	STAINLESS STEEL	PASSIVATED

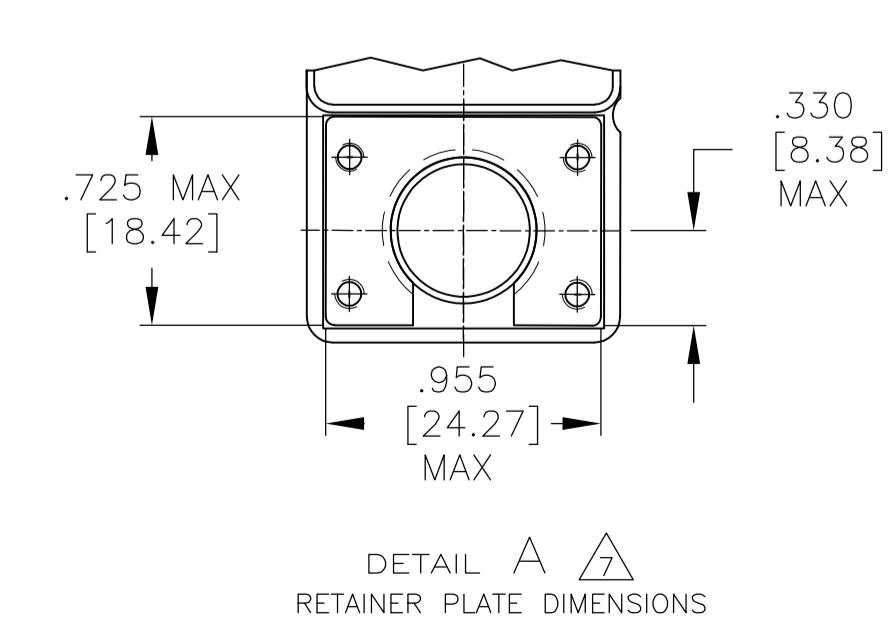
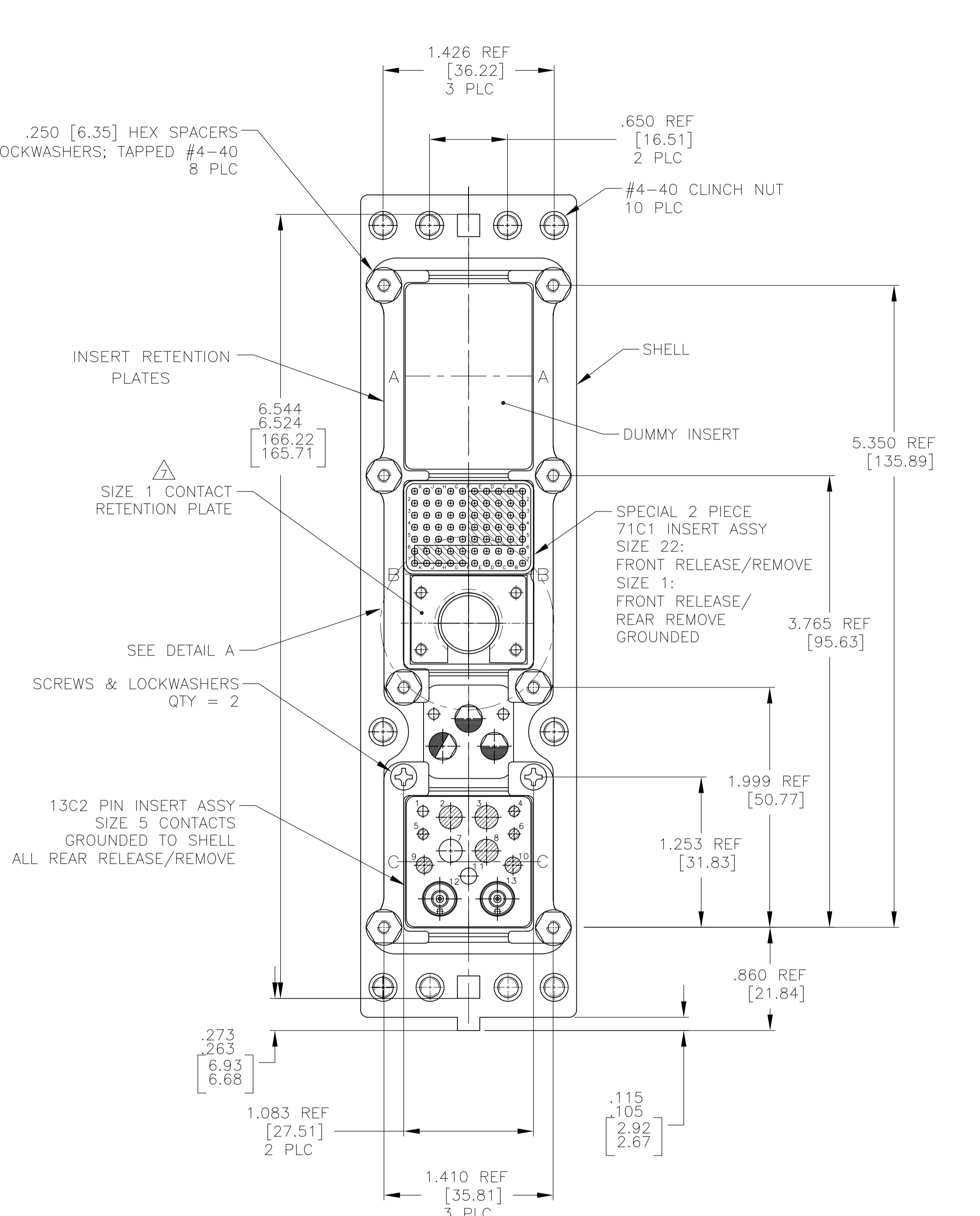
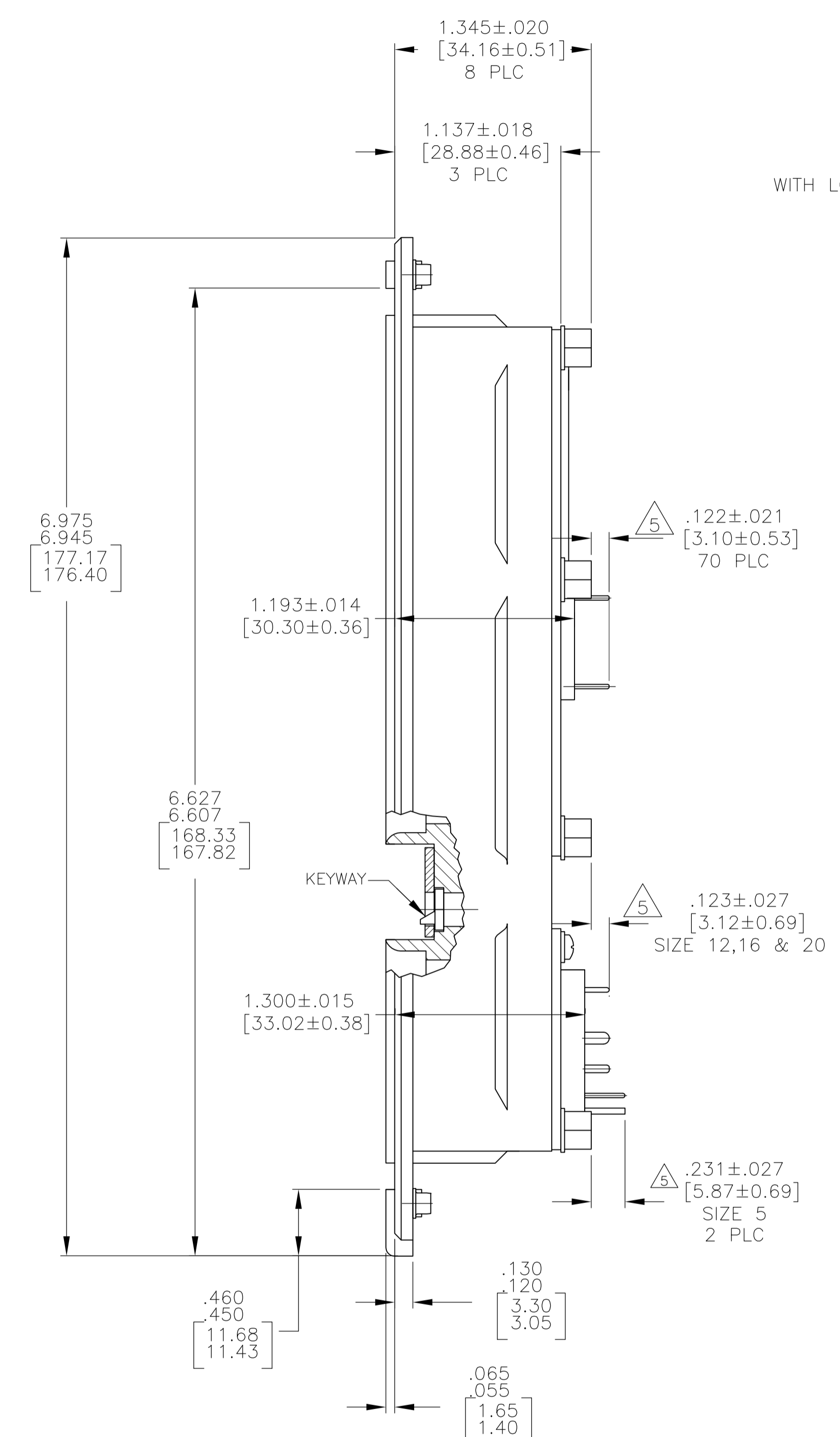
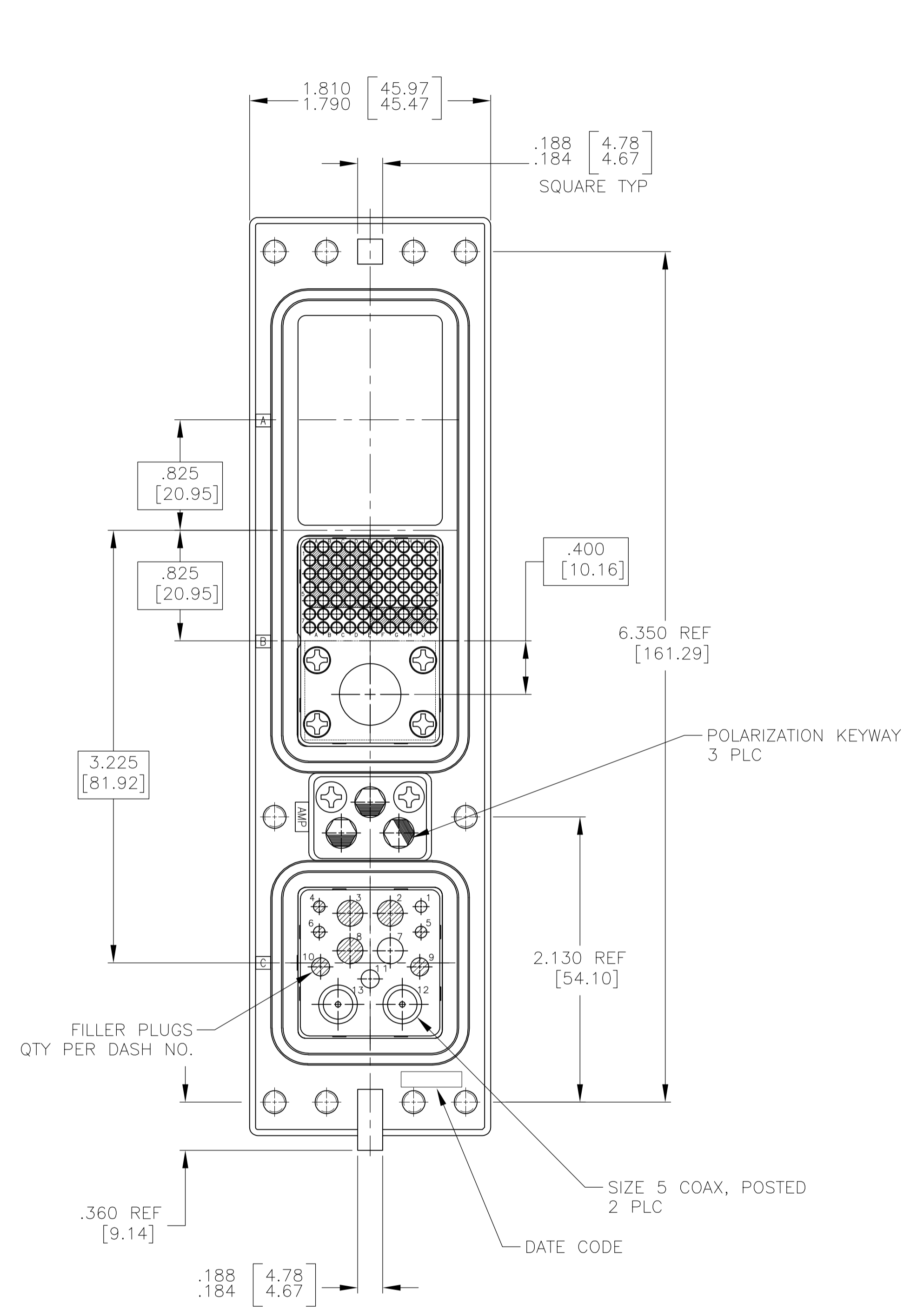
03	6	1757322-1
KEYING POSITION	CONTACTS INCLUDED AND INSTALLED	PART NUMBER

THIS DRAWING IS A CONTROLLED DOCUMENT.

DIMENSIONS: INCHES [mm]	TOLERANCES UNLESS OTHERWISE SPECIFIED:	DIN C.C.THOMAS 9-6-04	APVD K.HOGAN 9-6-04	NAME RCPT ASSY, SIZE 2, ARINC 600 (BLANK/71C1/13C2)
0. PLC ± -	1. PLC ± -	2. PLC ± -	3. PLC ± -	4. PLC ± -
ANGLES ± -				
MATERIAL SEE TABLE	FINISH SEE TABLE	WEIGHT 0	SIZE A1	CAGE CODE 00779
CUSTOMER DRAWING		SCALE 3:2	SHEET 1 OF 2	REV F

STE TE Connectivity

REVISIONS				
P	LTR	DESCRIPTION	DATE	APP'D
-	-	SEE SHEET 1	-	-



THIS DRAWING IS A CONTROLLED DOCUMENT.		DIN C.C.THOMAS 9-6-04	TE Connectivity	
DIMENSIONS: INCHES [mm]		CHK K.HOGAN 9-6-04		
TOLERANCES UNLESS OTHERWISE SPECIFIED:		APP'D K.HOGAN 9-6-04	NAME RCPT ASSY, SIZE 2, ARINC 600 (BLANK/71C1/13C2)	
0 PLC ± -	1 PLC ± -	PRODUCT SPEC	APPLICATION SPEC	
2 PLC ± -	3 PLC ± .005 [0.13]	SIZE	CAGE CODE	DRAWING NO.
4 PLC ± -	ANGLES ± -	RESTRICTED TO	SCALE 3:2	SHEET 2 OF 2
MATERIAL SEE TABLE	FINISH SEE TABLE	WEIGHT	A1 00779	1757322
CUSTOMER DRAWING		REV F		