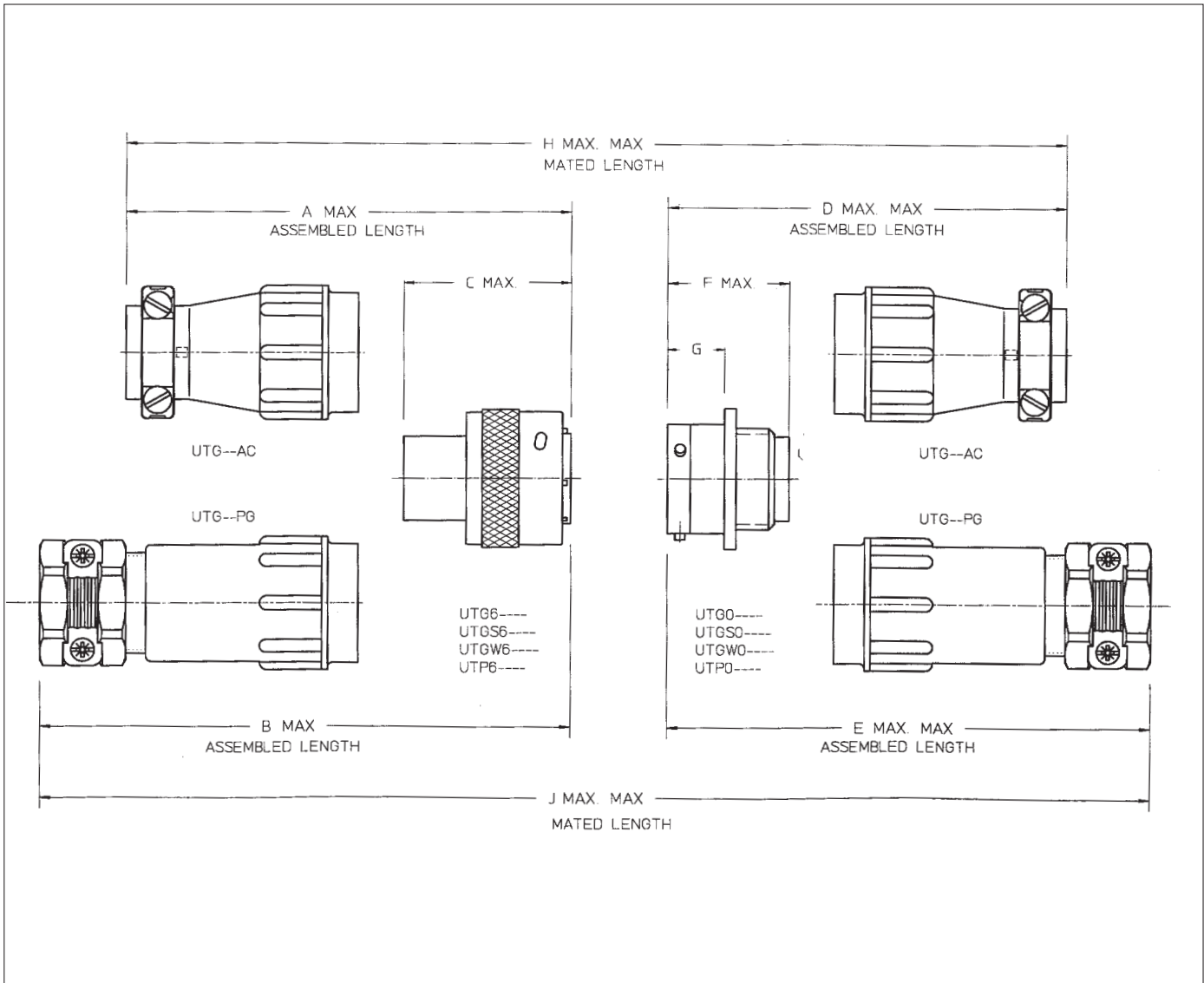


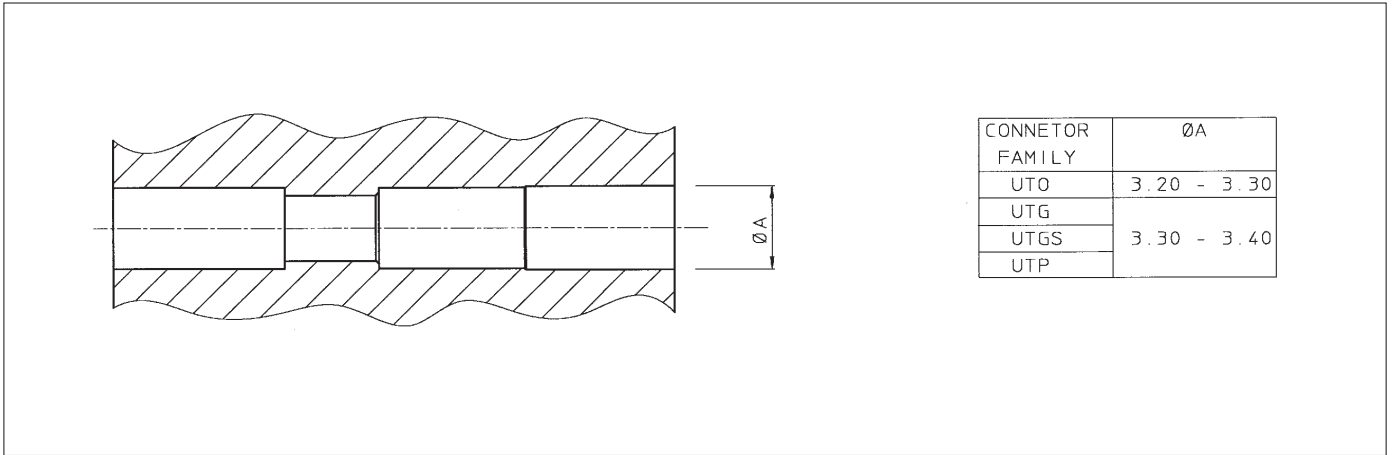
Mating Dimensions TRIM TRIO and SEALOK



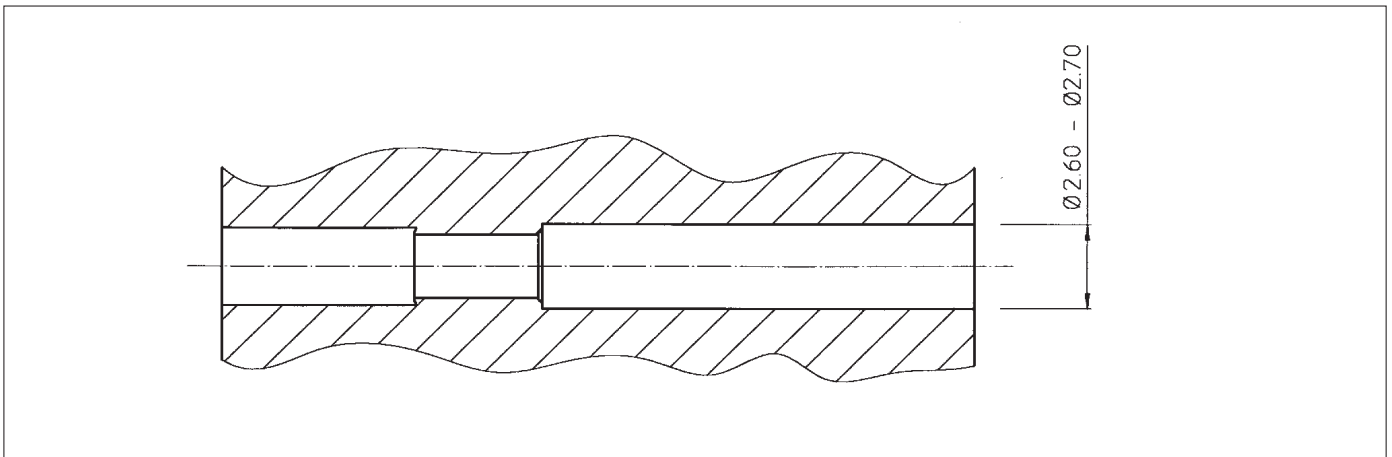
Shell size	Dimensions in mm										
	A max.	B max.	C max.	D max.	E max.	F max.	G ^{±0.2}	H max.	J max.		
10	57	72	31.8	57.5	72.5	24.3	11.4	106	136		
12		74			74.0				139		
14	63	81		63.5	81			26	14.6	118	153
16		85		85	161						
18	67	88		67.5	89	26	15.4	126	168		
20	74	101		76	103			140	191		
22	79	117		82	110	26	15.4	151	207		
24	84	123		88	127			162	240		
10-3VDE	57	72		57.5	72.5	31.7	11.4	106	136		
18-7 VDE	73.5	94.5	33	74	95.5	34	17.9	133	175		
20-20VDE	74	101	31.8	76	103	26	14.6	140	191		



TRIM TRIO cavity dimensions on wire face



SEALOK cavity dimensions on wire face



TRIM TRIO and SEALOK threading dimensions

Shell size	Shell thread size for backshells	PG - thread on PG cable clamp
10	9/16 - 24 UNEF	PG9
12	11/16 - 24 UNEF	PG11
14	13/16 - 20 UNEF	PG13.5
16	15/16 - 20 UNEF	PG16
18	1-1/16 - 18 UNEF	
20	1-3/16 - 18 UNEF	PG21
22	1-5/16 - 18 UNEF	
24	1-7/16 - 18 UNEF	PG29