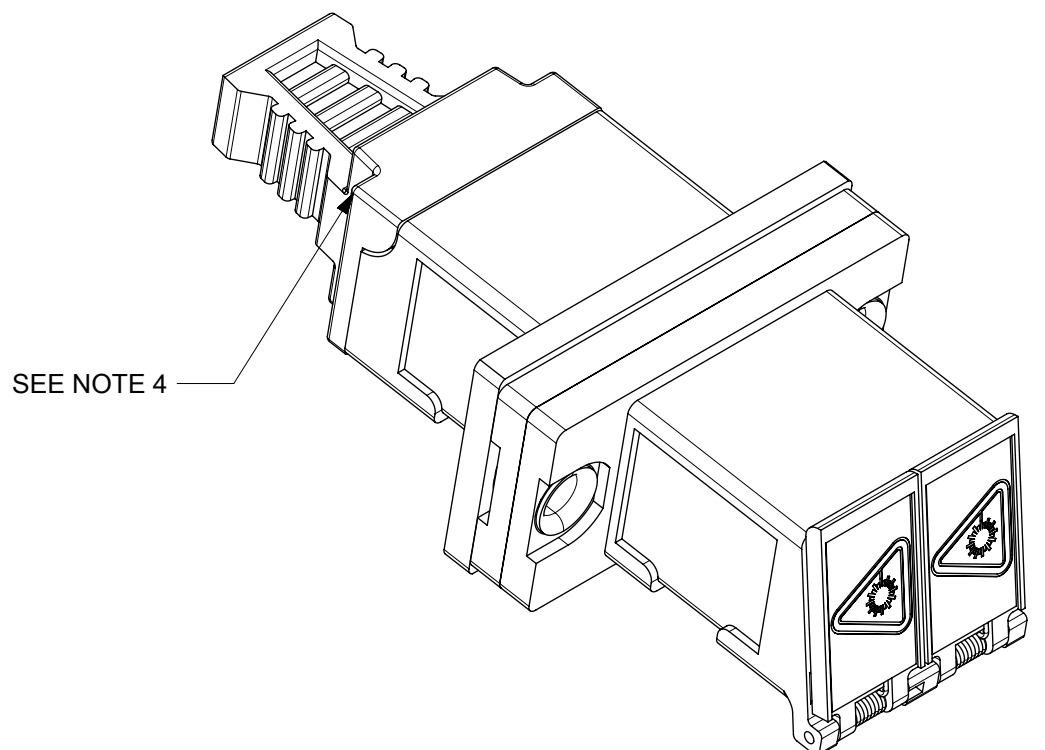
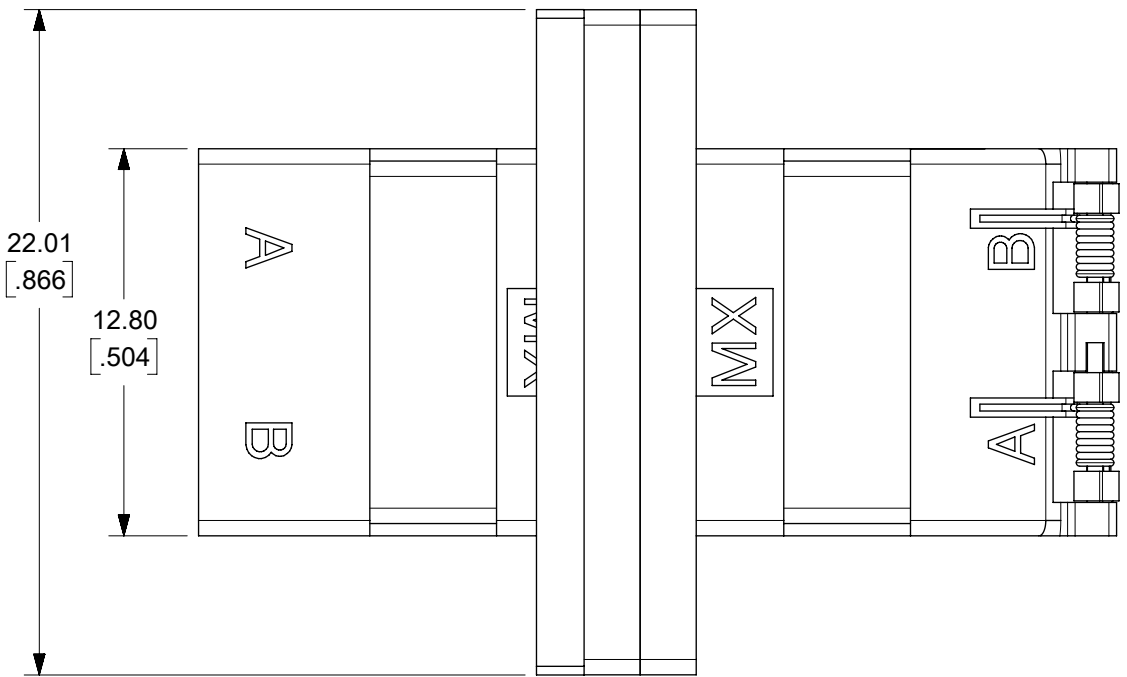
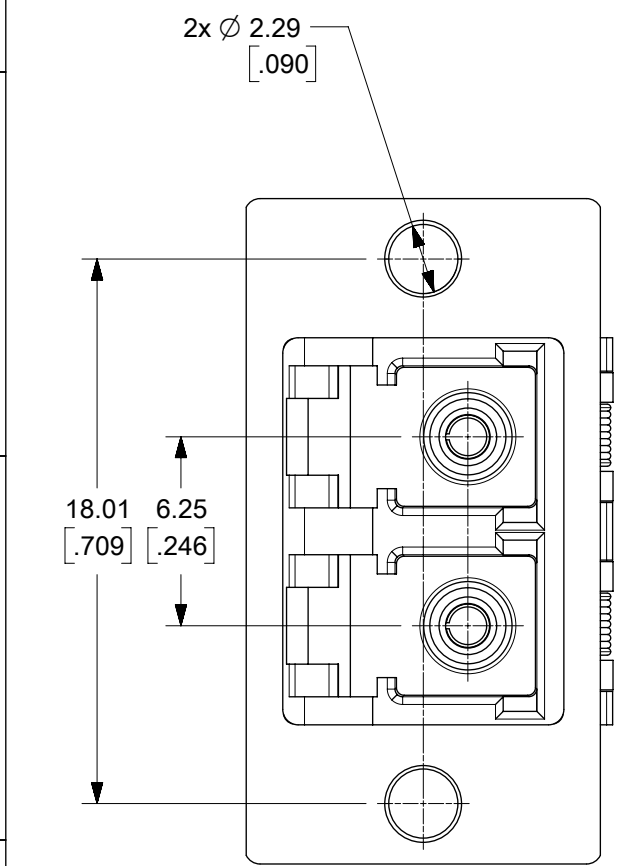
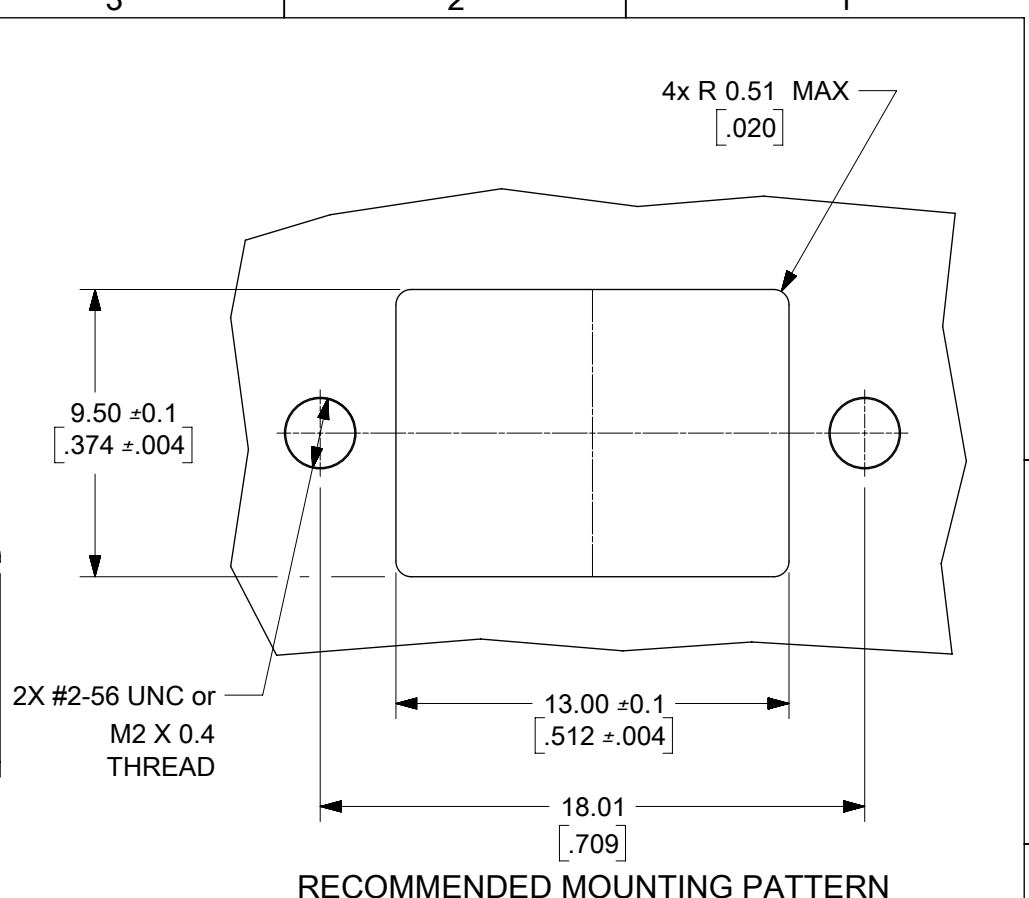
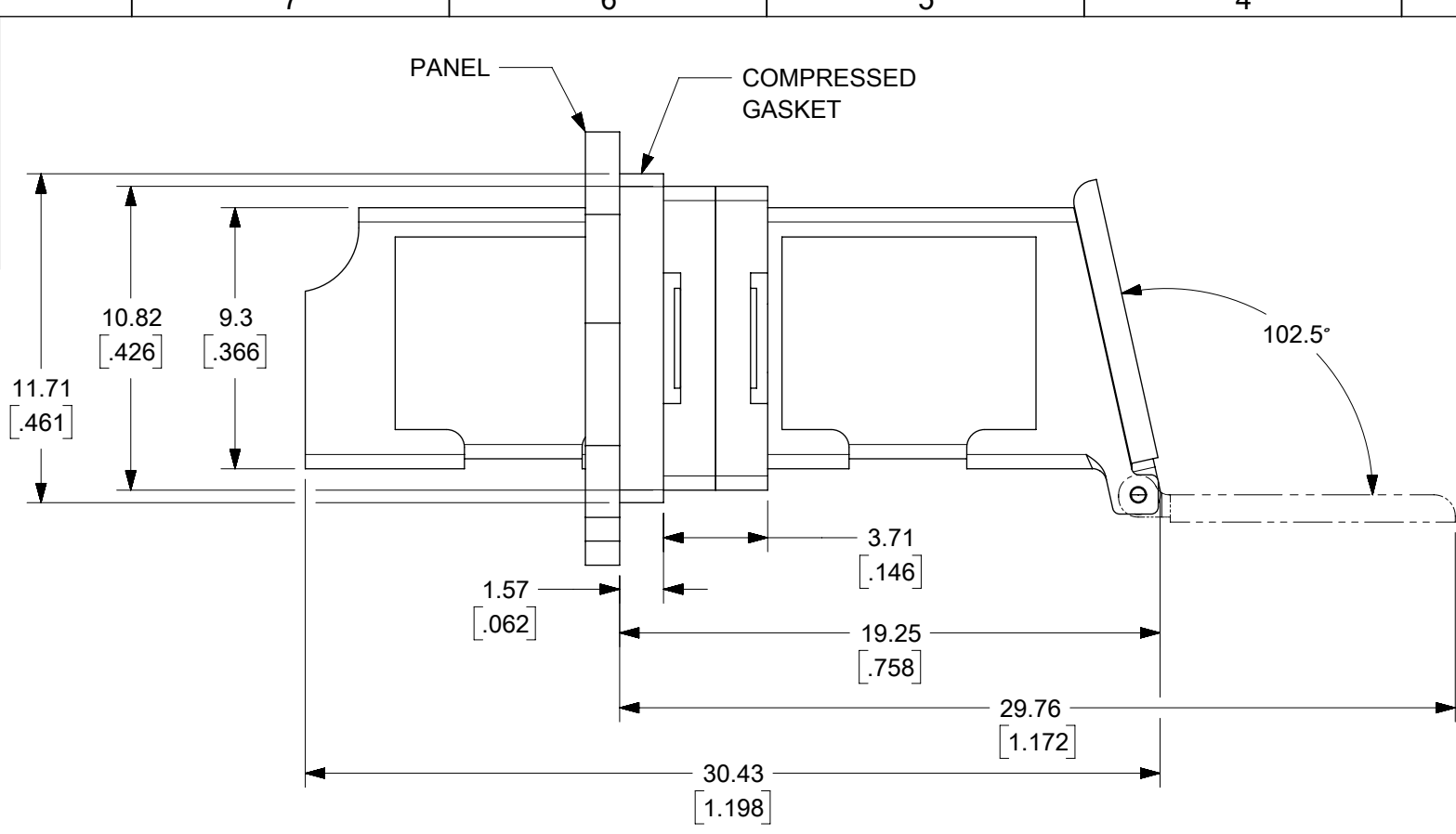


ADAPTER P/N	SPLIT SLEEVE MATERIAL	LC DOOR MATERIAL
1061151110	Zr	METAL
1061151116	Ph. Bronze	
1061151130	Zr	PLASTIC, GREEN



- NOTES:
1. ALL DIMENSIONS ARE FOR REFERENCE ONLY.
 2. CONDUCTIVE SILICONE GASKET WITH FILLER IS SUPPLIED WITH PART.
 3. PART IS DIECAST.
 4. DUST CAP IS SHOWN IN ISOMETRIC VIEW ONLY.
 5. ADAPTERS TO BE PACKAGED IN TRAY.

THIS DRAWING CONTAINS INFORMATION THAT IS PROPRIETARY TO MOLEX ELECTRONIC TECHNOLOGIES, LLC AND SHOULD NOT BE USED WITHOUT WRITTEN PERMISSION									
DIMENSION UNITS	SCALE	CURRENT REV DESC: MIGRATED TO NX							
MM/IN	4:1								
GENERAL TOLERANCES (UNLESS SPECIFIED)									
ANGULAR TOL	± 0.5°	EC NO: 619398 DRWN: JKUMARSARAFS 2019/04/01 CHK'D: WCHEN 2019/07/04 APPR: WCHEN 2019/07/04							
4 PLACES	±	LC-D EMI ADAPTER SCW MT ZR METAL DOOR							
3 PLACES	±								
2 PLACES	±	INITIAL REVISION: DRWN: PGI BLIN 2006/01/09 APPR: IGUMIN 2006/01/09							
1 PLACE	±	PRODUCT CUSTOMER DRAWING DOCUMENT NUMBER: SD-106115-111X DOC TYPE: PSD DOC PART: 001 REVISION: C							
0 PLACES	±	DRAFT WHERE APPLICABLE MUST REMAIN WITHIN DIMENSIONS							
THIRD ANGLE PROJECTION		DRAWING	SERIES	MATERIAL NUMBER	CUSTOMER	SHEET NUMBER			
		B-SIZE	106115	SEE TABLE	GENERAL MARKET	1 OF 1			

DOCUMENT STATUS	P1	RELEASE DATE	2019/07/04	01:07:53
-----------------	----	--------------	------------	----------