

Sensor/actuator box - SACB- 8/3-L- 5,0PUR QO-0,34 - 1548480

Please be informed that the data shown in this PDF Document is generated from our Online Catalog. Please find the complete data in the user's documentation. Our General Terms of Use for Downloads are valid (<http://download.phoenixcontact.com>)



Sensor/actuator box, Connection method: QUICKON, 0.14 mm² ... 0.34 mm², Number of slots: 8, Number of positions: 3, Slot assignment: Single, Status indication: Yes, pnp; Master cable connection: Fixed connection 180°, PUR/PVC, Cable length: 5 m, Shielding: No

Product Features

- ✓ Safety in the field, thanks to molded housing and high degree of protection
- ✓ Flexible, distributed bundling of signals in one master cable
- ✓ Convenient: increased machine availability thanks to quick and easy diagnostics
- ✓ Innovative and time-saving assembly with insulation displacement connection



Key commercial data

| | |
|--------------------------------------|-----------|
| Packing unit | 1 PCE |
| Weight per Piece (excluding packing) | 868.2 GRM |
| Custom tariff number | 85444290 |
| Country of origin | Poland |

Technical data

General

| | |
|--|---------|
| Rated voltage | 24 V DC |
| Max. operating voltage U _{max} | 30 V DC |
| Current carrying capacity per I/O signal | 2 A |
| Current carrying capacity per slot | 4 A |
| Total rated current | 12 A |
| Number of positions | 3 |
| Number of slots | 8 |
| Inflammability class according to UL 94 | V0 |
| Sensor/actuator connection system | QUICKON |

Ambient conditions

Sensor/actuator box - SACB- 8/3-L- 5,0PUR QO-0,34 - 1548480

Technical data

Ambient conditions

| | |
|---------------------------------|---|
| Degree of protection | IP65 |
| | IP67 |
| | IP69K |
| Ambient temperature (operation) | -30 °C ... 80 °C |
| | -40 °C ... 90 °C (for fixed installation) |
| | -5 °C ... 80 °C (for flexible installation) |

Local diagnostics function

| | |
|-------------------|-------------------------------|
| Local diagnostics | Supply voltage Green LED |
| | Status display I/O Yellow LED |

Master cable connection data

| | |
|-------------------|------------------|
| Connection method | Fixed connection |
| Length of cable | 5 m |

Conductor data

| | |
|---|----------------------|
| Structure of individual litz in acc. with VDE 0295 / smallest wire diameter | Class 2-6 |
| Wire insulation material | PVC/PE/PP |
| Wire diameter including insulation | 0.7 mm ... 1.3 mm |
| Minimum external conductor diameter | 3.5 mm |
| Maximum external conductor diameter | 6 mm |
| Tightening torque, union nut | 2 Nm |
| Wrench size, union nut | 13 mm |
| Conductor cross section stranded min. | 0.14 mm ² |
| Conductor cross section stranded max. | 0.34 mm ² |
| Conductor cross section AWG/kcmil min. | 26 |
| Conductor cross section AWG/kcmil max | 22 |

Insulation material

| | |
|-------------------------------|--------------|
| Housing material | PBT |
| Material of the moulding mass | PUR |
| Contact material | Steel/copper |
| Contact surface material | Sn |

Pin assignment

| | |
|--|----------------|
| Slot/position = Wire color or connection | 1 / 4 (A) = WH |
| | 2 / 4 (A) = GN |
| | 3 / 4 (A) = YE |
| | 4 / 4 (A) = GY |
| | 5 / 4 (A) = PK |

Sensor/actuator box - SACB- 8/3-L- 5,0PUR QO-0,34 - 1548480

Technical data

Pin assignment

| | |
|--|-----------------------|
| | 6 / 4 (A) = RD |
| | 7 / 4 (A) = BK |
| | 8 / 4 (A) = VT |
| | 1-8 / 1 (+ 24 V) = BN |
| | 1-8 / 3 (0 V) = BU |

Cable

| | |
|---|---------------------------------------|
| Cable type | PUR/PVC black |
| Cable type (abbreviation) | PUR |
| Cable abbreviation | LiYY11Y-HF |
| UL AWM style | 20549 |
| Conductor cross section | 8x 0.34 mm ² (signal line) |
| | 2x 0.75 mm ² (power line) |
| AWG signal line | 22 |
| AWG power supply | 18 |
| Conductor structure signal line | 19x 0.15 mm |
| Conductor structure, voltage supply | 42x 0.15 mm |
| Core diameter including insulation | 1.3 mm ±0.1 mm (signal line) |
| | 1.8 mm ±0.1 mm (power line) |
| Thickness, insulation | ≥ 0.15 mm (Inner sheath) |
| | ≥ 0.38 mm (Outer cable sheath) |
| Overall twist | Wires twisted in layers |
| External sheath, color | Black RAL 9005 |
| External cable diameter D | 7.9 mm ± 0.2 mm |
| Minimum bending radius, fixed installation | 7.5 x D |
| Minimum bending radius, flexible installation | 10 x D |
| Number of bending cycles | 1500000 |
| Bending radius | 79 mm |
| Traversing path | 2 m |
| Traversing rate | 2 m/s |
| Cable weight | 92 kg/km |
| Outer sheath, material | PUR |
| Material, inner sheath | PVC |
| Material conductor insulation | PVC |
| Conductor material | Bare Cu litz wires |
| Nominal voltage, cable | 300 V |
| Test voltage, cable | 2000 V |
| Special properties | Silicone-free |

Sensor/actuator box - SACB- 8/3-L- 5,0PUR QO-0,34 - 1548480

Technical data

Cable

| | |
|---------------------------------|--|
| Flame resistance | DIN EN 50265 |
| Resistance to oil | As per VDE 0472 Part 803 |
| Other resistance | Highly resistant to acids, alkaline solutions and solvents |
| Ambient temperature (operation) | -40 °C ... 90 °C (cable, fixed installation) |
| | -5 °C ... 80 °C (cable, flexible installation) |

Classifications

eCl@ss

| | |
|------------|----------|
| eCl@ss 4.0 | 27250313 |
| eCl@ss 4.1 | 27250313 |
| eCl@ss 5.0 | 27143423 |
| eCl@ss 5.1 | 27143423 |
| eCl@ss 6.0 | 27143423 |
| eCl@ss 7.0 | 27449001 |
| eCl@ss 8.0 | 27449001 |

ETIM

| | |
|----------|----------|
| ETIM 3.0 | EC001856 |
| ETIM 4.0 | EC002585 |
| ETIM 5.0 | EC002585 |

UNSPSC

| | |
|---------------|----------|
| UNSPSC 6.01 | 31261501 |
| UNSPSC 7.0901 | 31261501 |
| UNSPSC 11 | 31261501 |
| UNSPSC 12.01 | 31261501 |
| UNSPSC 13.2 | 31261501 |

Approvals

Approvals

Approvals

UL Recognized / cUL Recognized / GOST / cULus Recognized

Ex Approvals

Sensor/actuator box - SACB- 8/3-L- 5,0PUR QO-0,34 - 1548480

Approvals

Approvals submitted

Approval details

| | |
|--------------------|------|
| UL Recognized | |
| Nominal voltage UN | 24 V |

| | |
|--------------------|------|
| cUL Recognized | |
| Nominal voltage UN | 24 V |

| | |
|------|--|
| GOST | |
|------|--|

| | |
|------------------|--|
| cULus Recognized | |
|------------------|--|

Accessories

Accessories

Device marking

Contactor marker – zack marker strip - SS-ZB 17,5 WH - 0804963



Contactor marker – zack marker strip, Strip, white, Unlabeled, Can be labeled with: Plotter, Mounting type: Snap into flat marker groove, Lettering field: 17.5 x 8 mm

Pressure nut

Sensor/actuator box - SACB- 8/3-L- 5,0PUR QO-0,34 - 1548480

Accessories

Connector - QO-SET - 1548626



QUICKON set for replacement purposes, consisting of splice ring, pressure nut and line seal

Protective cap

Filler plugs - Q-PROT 9/11 - 1670235



Closing cap for Pg9/Pg11 to close unoccupied connections

Screwdriver tools

Tool - SAC BIT QUICKON-W13 - 1212033



Nut for assembling QUICKON pressure nuts with 13 mm wrench size, for 4 mm hexagonal drive

Torque tool

Torque screwdriver - TSD 20 SAC - 1212020

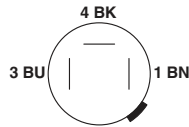


Torque screwdriver, with preset torque of 2.0 Nm and 4 mm hexagonal drive for the pressure nut of the fast connection

Drawings

Sensor/actuator box - SACB- 8/3-L- 5,0PUR QO-0,34 - 1548480

Schematic diagram



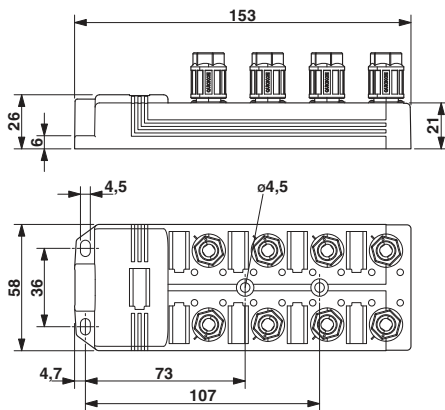
QUICKON connection, 4-pos.

Cable cross section



PUR/PVC black [PUR]

Dimensioned drawing



Circuit diagram

