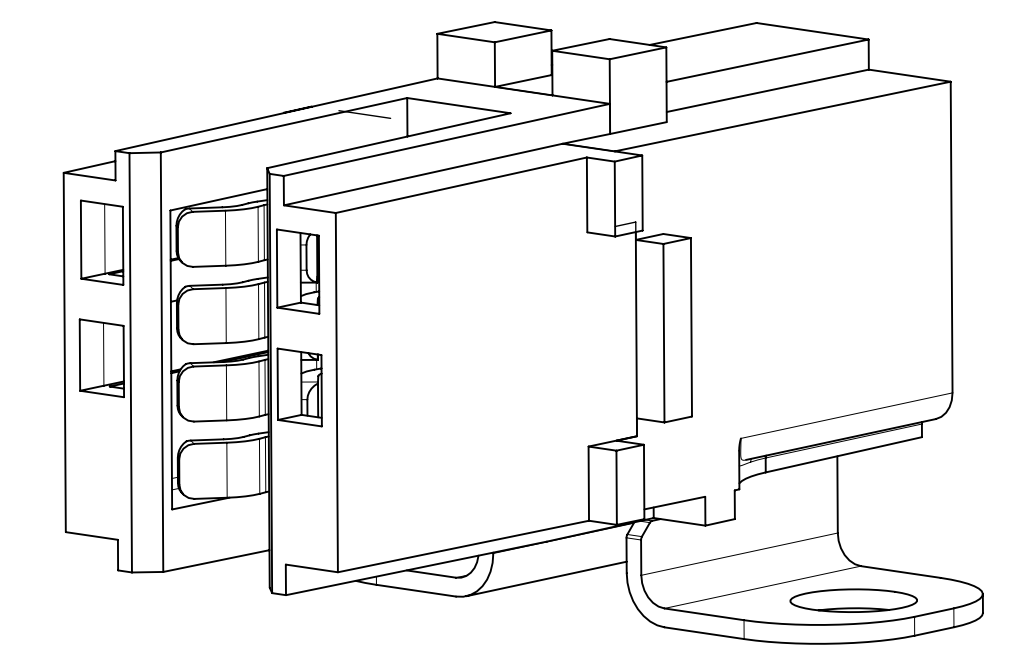
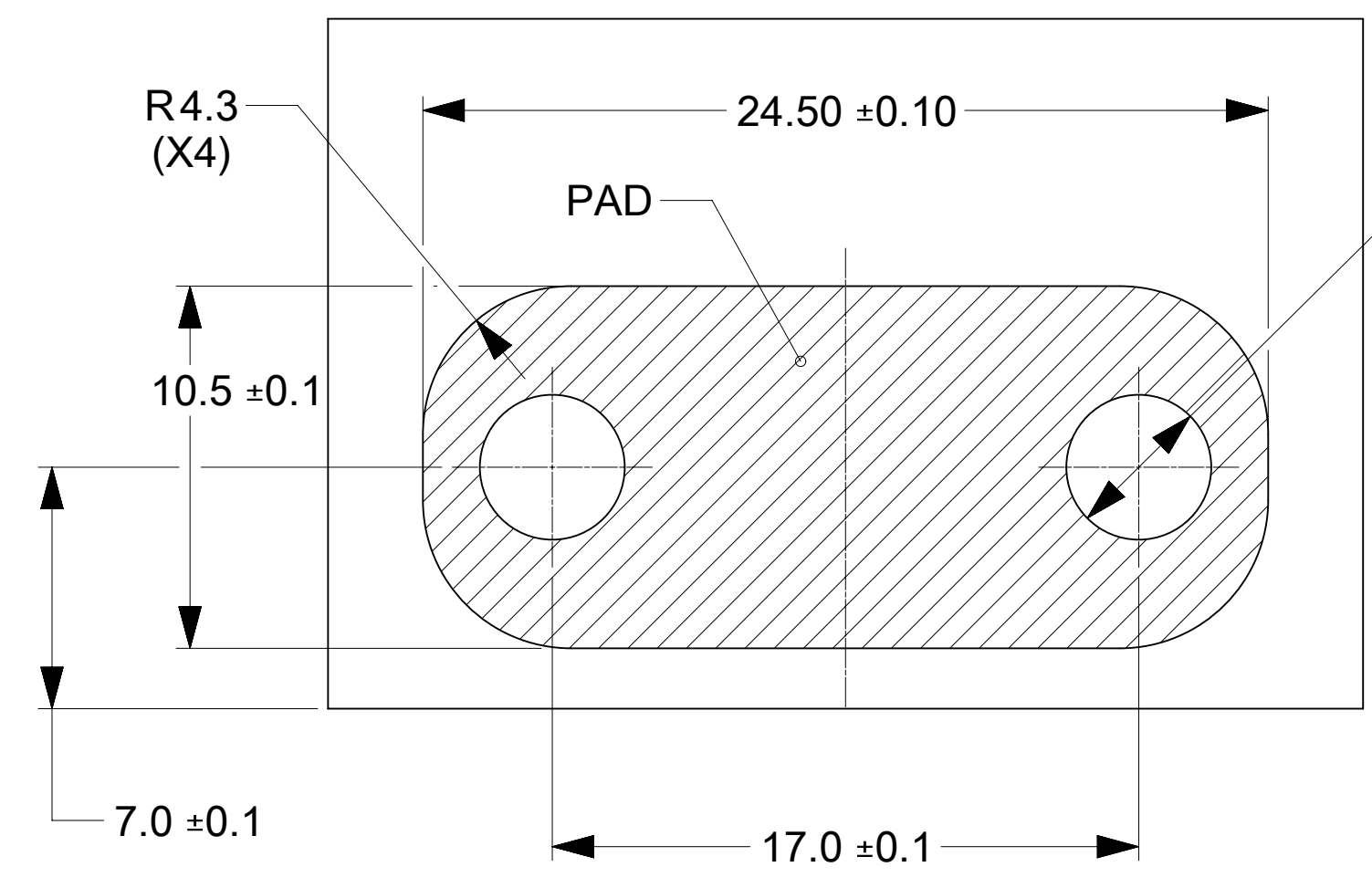


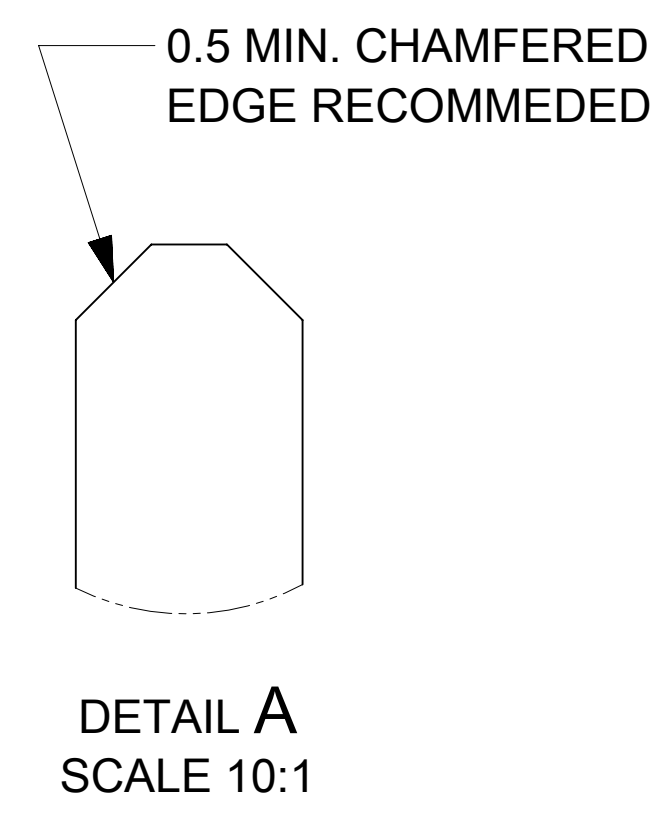
PART NUMBER	PLATING ON THE CONTACT AREAS
213191-0002	SILVER OVER NICKEL
213191-0102	TIN OVER NICKEL



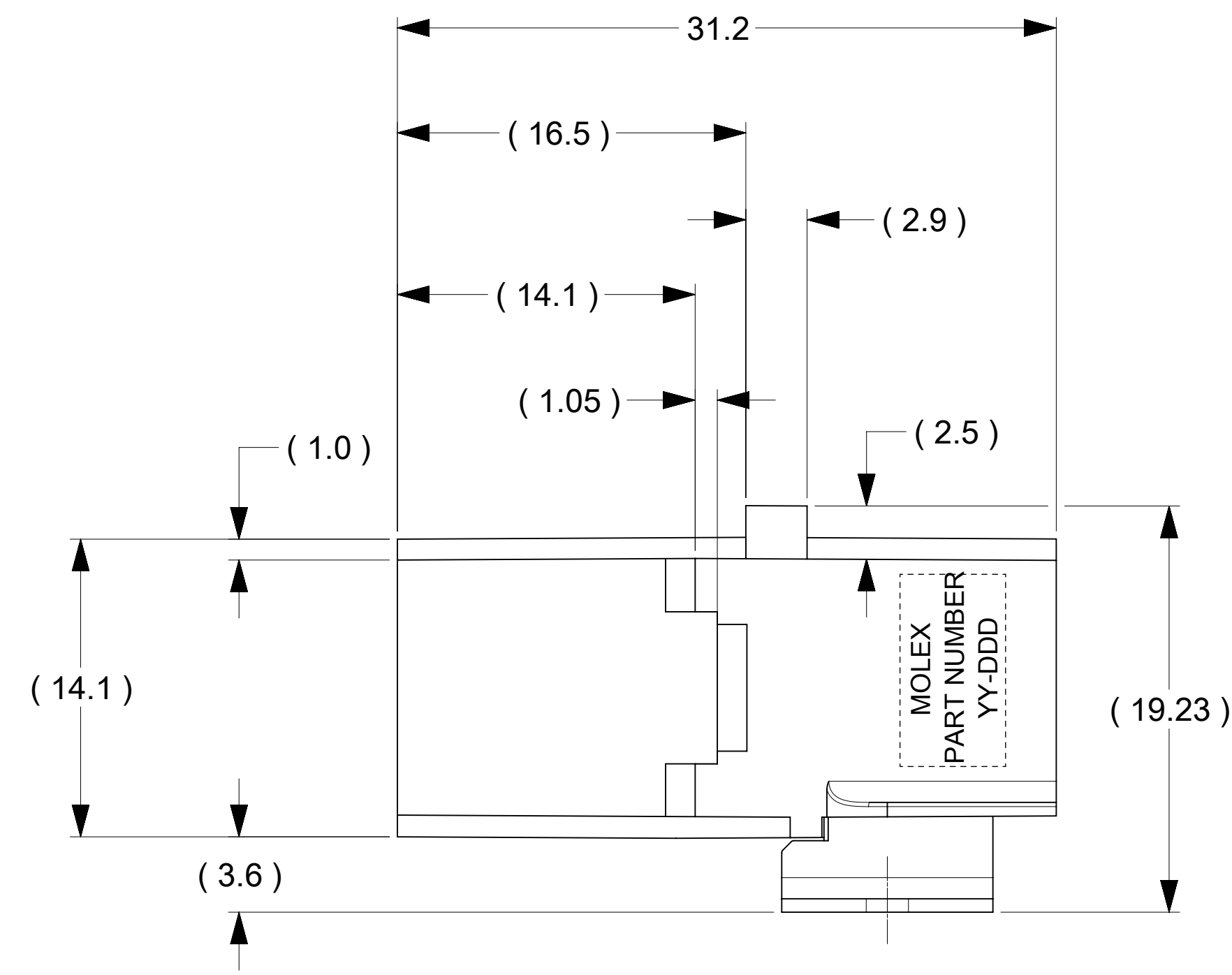
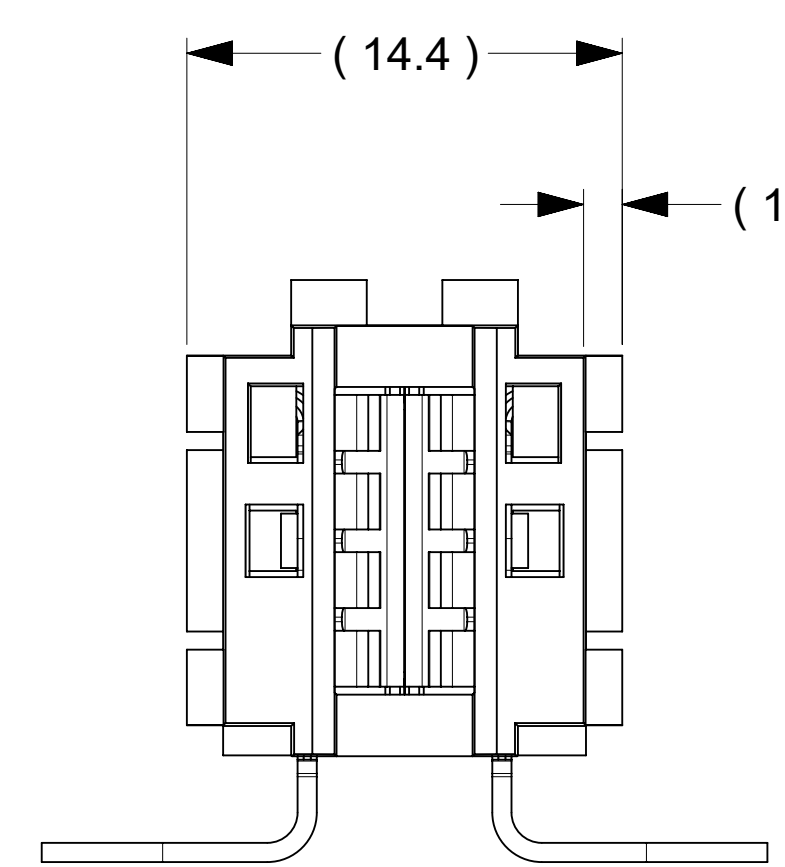
PCB, BUSBAR, SCREWS AND NUTS  
IN THESE VIEWS ARE SHOWN FOR REFERENCE ONLY



RECOMMENDED PCB LAYOUT



- NOTES:
- MATERIALS:
    - HOUSING BODY: POLYMER. UL94V-0; BLACK.
    - TERMINALS: COPPER ALLOY.
    - RIVET/CLIP: COPPER ALLOY.
  - PLATING:
    - CONTACT AREAS: SEE CHART.
    - TAB AREAS: TIN OVER NICKEL.
    - REST: NICKEL OVERALL.
  - LUBRICATION: LUBED IN CONTACT AREA.
  - REFERENCE DOCUMENT:
    - SILVER VERSION: 2131910001-PS, 2131910001-AS.
    - TIN VERSION: 2131910002-PS, 2131910001-AS.
  - MODULE ASSEMBLY IS RoHS COMPLIANT.
  - FINAL ASSEMBLY TO BE PACKAGED AND LABELED PER PACKAGING DRAWING NUMBER 2131910002-PK.
  - MATED BUSBAR SHOULD BE PLATED WITH SILVER OVER NICKEL FOR SILVER VERSION CONNECTOR AND TIN OVER NICKEL FOR TIN VERSION CONNECTOR.



FUNCTIONAL SYMBOLS FA = 0 FC = 0 FP = 0	THIS DRAWING CONTAINS INFORMATION THAT IS PROPRIETARY TO MOLEX ELECTRONIC TECHNOLOGIES, LLC AND SHOULD NOT BE USED WITHOUT WRITTEN PERMISSION		CURRENT REV DESC:	
	DIMENSION UNITS mm	SCALE 5:1		
DIVISIONAL SYMBOLS	GENERAL TOLERANCES (UNLESS SPECIFIED)		EC NO: 721831	
	ANGULAR TOL	± °	DRWN: TOMLU	2022/09/19
	4 PLACES	±	CHK'D: BPISZCZOR	2023/01/16
	3 PLACES	±	APPR: BPISZCZOR	2023/01/16
	2 PLACES	± 0.15	INITIAL REVISION:	
	1 PLACE	± 0.25	DRWN: TOMLU	2020/06/04
	0 PLACES	±	APPR: BPISZCZOR	2022/03/07
DRAFT WHERE APPLICABLE MUST REMAIN WITHIN DIMENSIONS		THIRD ANGLE PROJECTION	DRAWING D-SIZE	SERIES 213191
DOCUMENT STATUS P1		RELEASE DATE 2023/01/16	MATERIAL NUMBER SEE CHART	CUSTOMER SHEET NUMBER 1 OF 1



POWER PLANE BBC SMALL RA - SM

PRODUCT CUSTOMER DRAWING

DOCUMENT NUMBER	DOC TYPE	DOC PART	REVISION
2131910002-SD	PSD	000	B