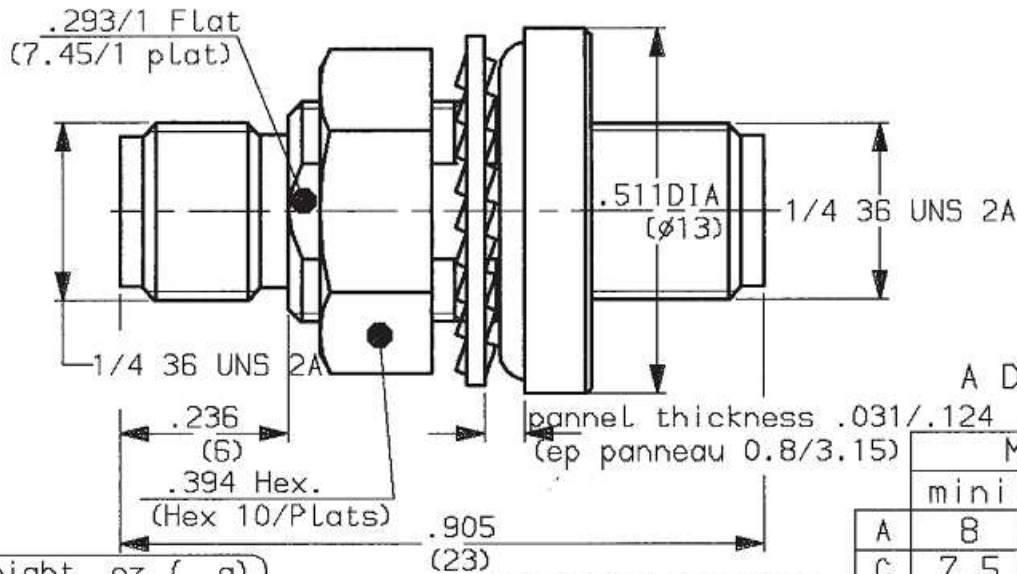
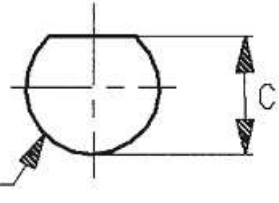


90-0106-341



MOUNTING HOLE



	MM		INCH	
	mini	maxi	mini	maxi
A	8	-	.315	*
C	7.5	-	.296	*

weight oz (g)

CHARACTERISTICS

NOMINAL IMPEDANCE	50 $\Omega$
FREQUENCY RANGE	0-46 GHz
TEMPERATURE RATING	-65/+165 °C
VSWR	1.50 Max
RF INSERTION LOSS	0.1 $\sqrt{f}$ dB Maxi
VOLTAGE RATING	350 Vrms Maxi
DIELECTRIC WITHSTANDING VOLTAGE	750 Vrms mini
INSULATION RESISTANCE	5000 Mo mini
HERMETIC SEAL	2 cc/s 10-8 Atm.cm3/s
LEAKAGE (pressurized only)	AD psi MPa

STANDARDISATION

CABLE RETENTION

CENTER CONTACT RETENTION

Axial force - mating end	5.94 <sup>27</sup>	Lb mini N
Axial force - opposite end	5.94 <sup>27</sup>	Lb mini N
Torque (Min)	NA	Inch.oz cm.N
RECOMMENDED TORQUES		
Mating	-	Inch. Lb cm.N
Panel nut	15.045 <sup>170</sup>	Inch. Lb cm.N
Clamp nut	NA	Inch. Lb cm.N

CONSTRUCTION

CONNECTOR PARTS	MATERIALS	FINISH
BODY	STAINLESS STEEL	GOLD OVER NICKEL
OUTER CONTACT	STAINLESS STEEL	GOLD OVER NICKEL
CENTER CONTACT	BERYLLIUM COPPER	GOLD OVER NICKEL
INSULATORS	KAPTON	-
NUT	BRASS	GOLD OVER NICKEL
WASHER	BRONZE	GOLD OVER NICKEL
GASKET	FLUOROCARBON RUBBER	-
-	-	-
-	-	-

ISSUE	REVISION No	DESCRIPTION	BY	DATE
1250	BE	Added VSWR and RF insert Loss	TRIPPIER JL	13/12/12
9204	91-11-013	Modified soldering hole	BAFFERT JH	22-01-92

Initiated on 09-AUG-91  
Superseded on -----

The information given here is subject to change without notice. Design changes may be in order to improve the product.

