

4

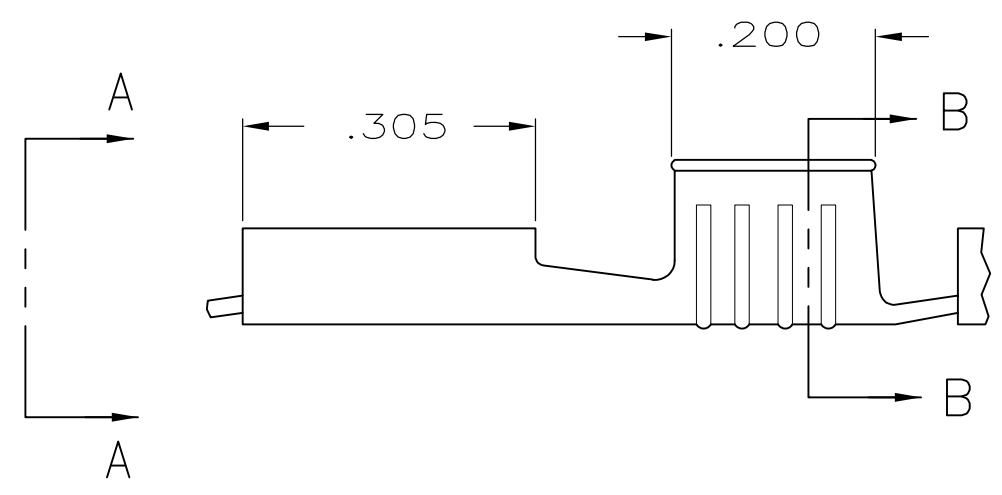
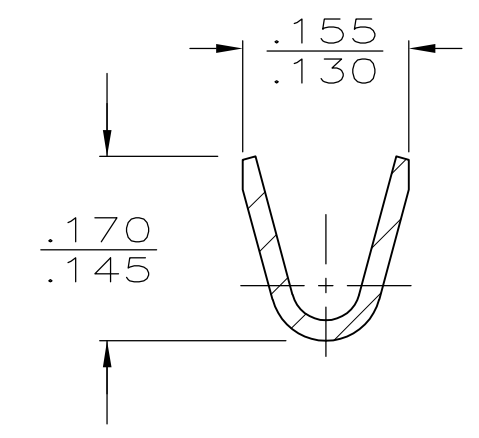
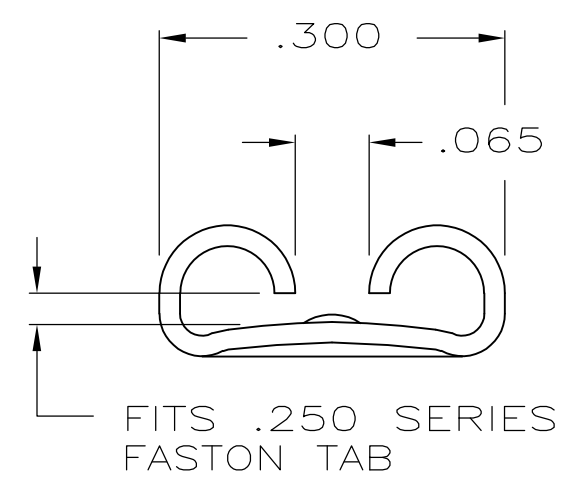
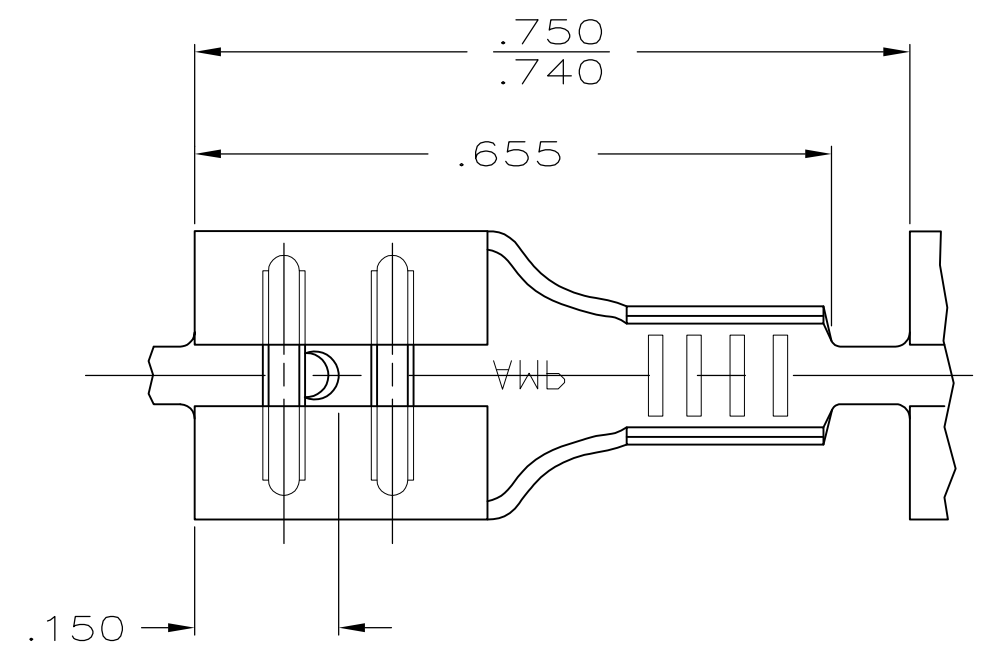
3

2

1

THIS DRAWING IS UNPUBLISHED. RELEASED FOR PUBLICATION
 © COPYRIGHT - By - ALL RIGHTS RESERVED.

LOC	DIST	REVISIONS					
AF	50	P	LTR	DESCRIPTION	DATE	DWN	APVD
			U	REVISED PER ECR-12-013445	18OCT12	KH	PD



THIS DRAWING IS A CONTROLLED DOCUMENT.		DWN	JR RUTH	5/28/86
DIMENSIONS: INCHES		CHK	MS FEHER	5/30/86
TOLERANCES UNLESS OTHERWISE SPECIFIED:		APVD	C MEYERS	5/30/86
0 PLC ± -		PRODUCT SPEC	-	
1 PLC ± -		APPLICATION SPEC	-	
2 PLC ± -		WEIGHT	-	
3 PLC ± .015		CUSTOMER DRAWING		
4 PLC ± -		SCALE	5:1	
ANGLES ± -		SHEET	1 OF 1	
MATERIAL	BRASS	FINISH	TIN	

SIZE	18-14
CAGE CODE	00779
DRAWING NO	C-41194
RESTRICTED TO	-
REV	U

WIRE SIZE	18-14	TAB THK.	.032 ±.001	PART NO	41194
STE TE Connectivity					
.250 SERIES FASTON RECEPTACLE					
NAME					
SIZE	CAGE CODE	DRAWING NO	RESTRICTED TO		
A3	00779	C-41194	-		
SCALE	5:1	SHEET	1 OF 1	REV	U