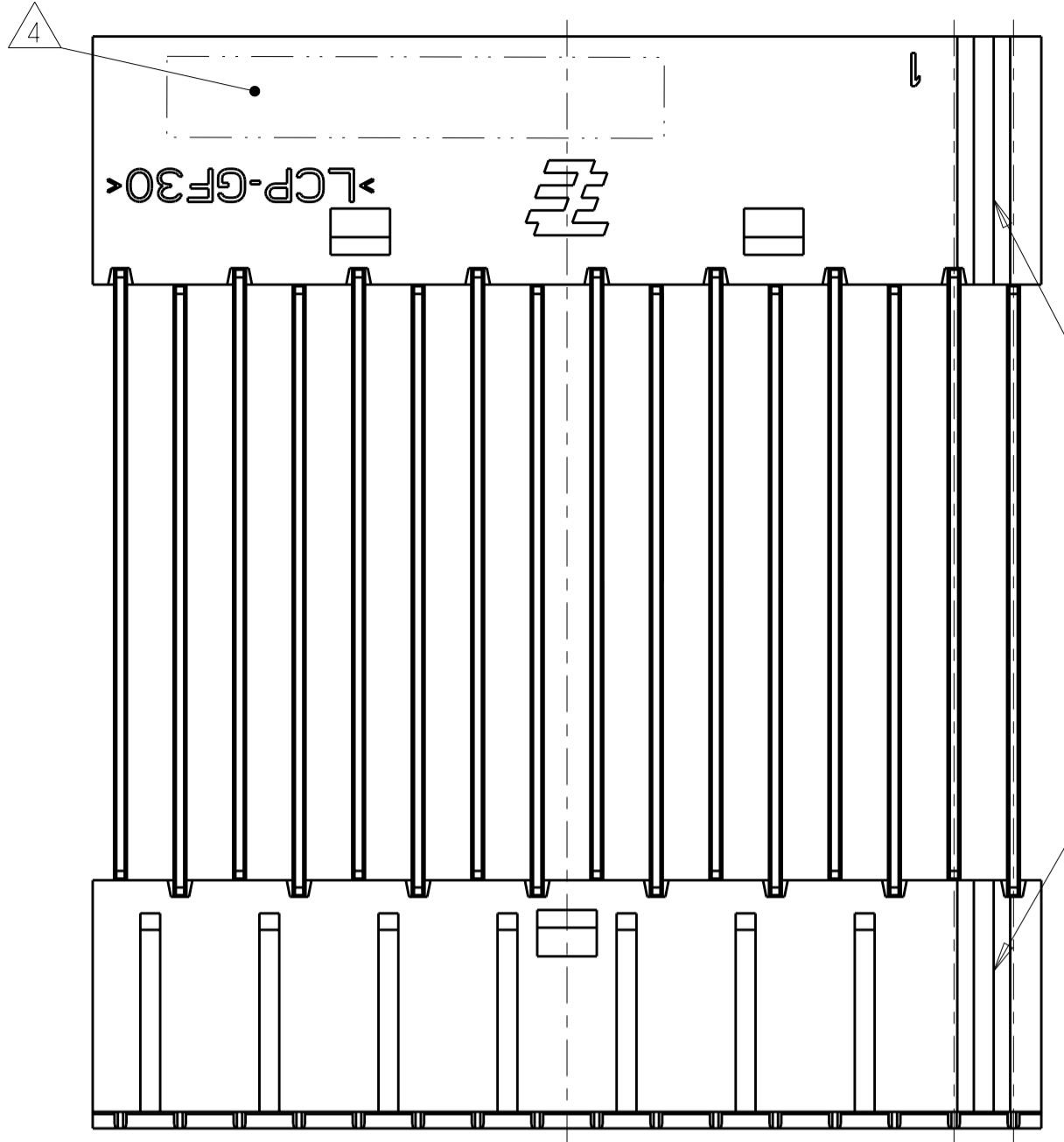
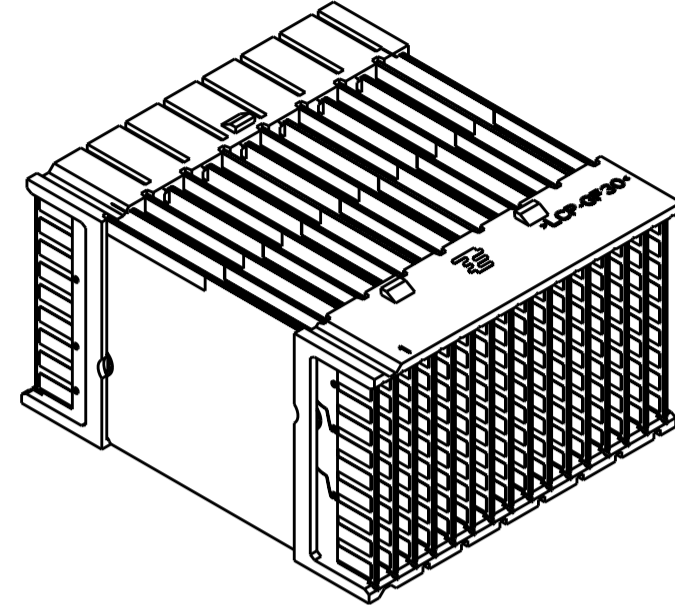


LOC	DIST	REVISIONS					
GP	00	P	LTR	DESCRIPTION	DATE	DWN	APVD
		A		REV PER ECO-08-032056	23DEC2008	BC	GG



COLUMN 1 INDICATOR

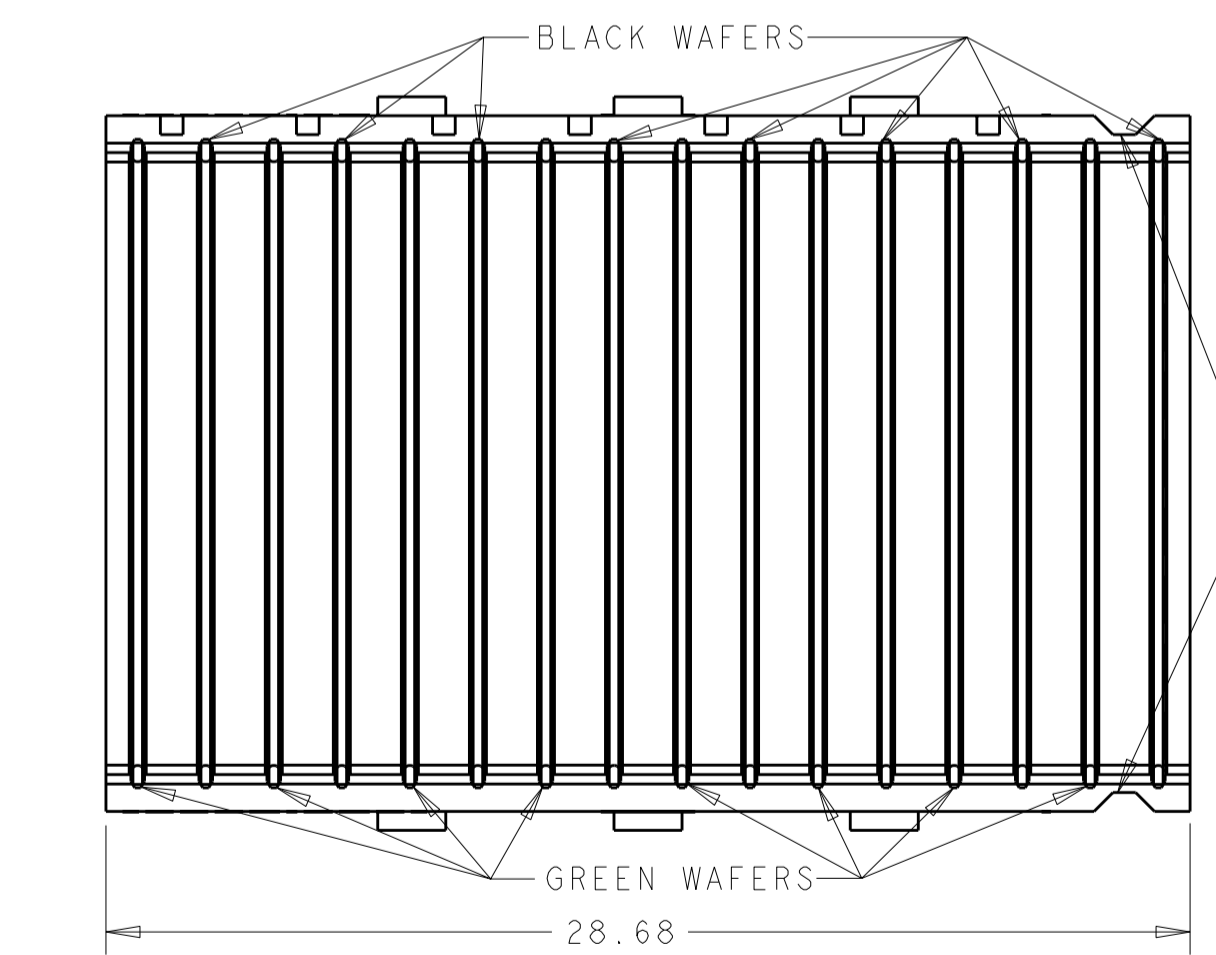


SCALE 2:1

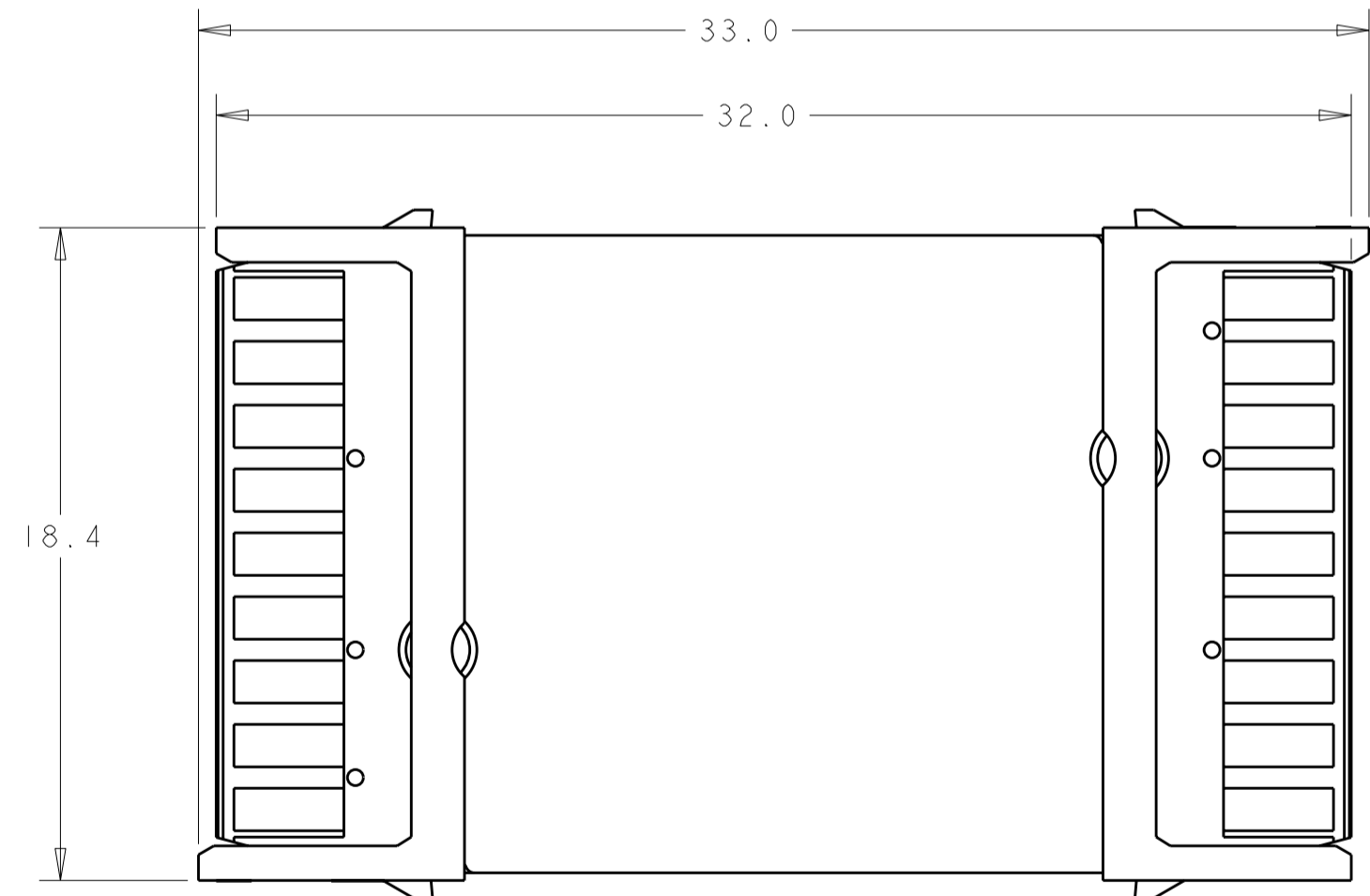
- ① HOUSING: LCP, UL94V0, COLOR: BLACK. WAFER: FR4.
- ② CONTACT: GOLD PLATED IN PAD CONTACT AREA.
- 3. SEE TABLE FOR INTERCONNECTIONS TO BACKPLANE CONNECTOR.
- ④ PART NUMBER AND DATE CODE (yyww) LOCATED ON SURFACE INDICATED.

TYPICAL INTERCONNECTIONS FOR EACH ODD-NUMBERED COLUMN (BLACK WAFER): 1, 3, 5, 7, 9, 11, 13, 15

CONTACT USAGE	DAUGHTERCARD/ MAIN CARD	MEZZANINE/ CARRIER CARD
SIGNAL	bx	ix
SIGNAL	cx	hx
SIGNAL	ex	fx
SIGNAL	fx	ex
SIGNAL	hx	cx
SIGNAL	ix	bx
GROUPS ALL COMMONED	ax, dx, gx	gx, dx, ax

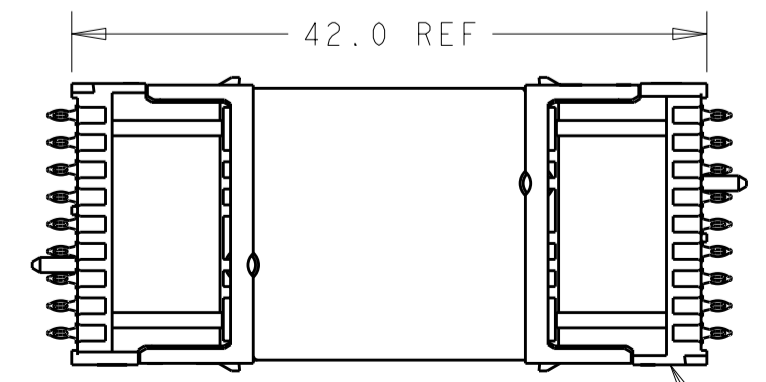


COLUMN 1 INDICATOR



TYPICAL INTERCONNECTIONS FOR EACH EVEN-NUMBERED COLUMN (GREEN WAFER): 2, 4, 6, 8, 10, 12, 14, 16

CONTACT USAGE	DAUGHTERCARD/ MAIN CARD	MEZZANINE/ CARRIER CARD
SIGNAL	ax	hx
SIGNAL	bx	gx
SIGNAL	dx	ex
SIGNAL	ex	dx
SIGNAL	gx	bx
SIGNAL	hx	ax
GROUPS ALL COMMONED	cx, fx, ix	ix, fx, cx



SCALE 2:1

MATING P/N 1410140 OR 1410142

THIS DRAWING IS A CONTROLLED DOCUMENT FOR TYCO ELECTRONICS CORPORATION. IT IS SUBJECT TO CHANGE AND THE CONTROLLING ENGINEERING ORGANIZATION SHOULD BE CONTACTED FOR THE LATEST REVISION.		DWN L.SIPE 16 JUN 2006	1410196-1 PART NO	
DIMENSIONS: mm		CHK M. McALONIS 16 JUN 2006	Tyco Electronics Harrisburg, PA 17105-3608	
TOLERANCES UNLESS OTHERWISE SPECIFIED: 0 PLC ± 1 PLC ± 2 PLC ±0.13 3 PLC ±0.013 4 PLC ± ANGLES ± FINISH		APVD G. GRIFFITH 23 DEC 2008	NAME MEZZANINE CONNECTOR, 42mm STACK HEIGHT, DIFFERENTIAL, 16 WAFER, MultiGig RT2	
MATERIAL		PRODUCT SPEC 108-2072	SIZE A2	RESTRICTED TO -
		APPLICATION SPEC 114-13056	CAGE CODE 20779	DRAWING NO 1410196
		WEIGHT -	SCALE 1:1	SHEET OF 1 A
		CUSTOMER DRAWING	REV A	