

6

5

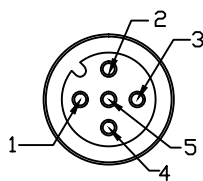
4

3

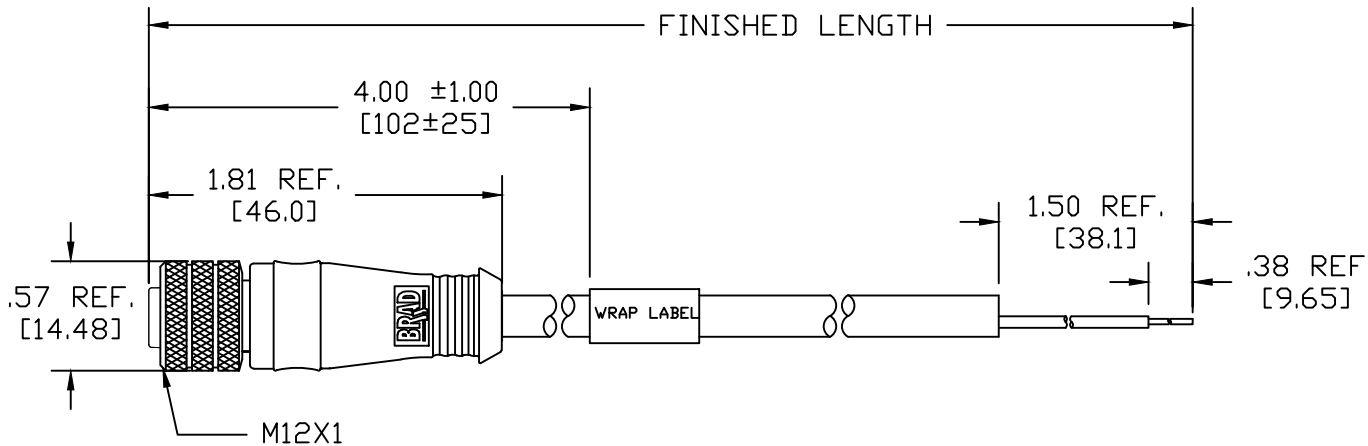
2

1

FEMALE INSERT FRONT VIEW



- 1 BROWN
- 2 WHITE
- 3 BLUE
- 4 BLACK
- 5 GRAY



805000W03M020W

Wire type  
22/5C AWG Black  
PVC

cable length  
M020----2 Meter  
M100----10 Meter

MECHANICAL  
 CONTACT : GOLD/NICKEL OVER COPPER ALLOY  
 INSERT : BLACK PUR  
 O-RING: RED VITON  
 COUPLING NUT: TEFLON COAT OVER NICKEL PLATED BRASS  
 MOLDED BODY: GRAY PVC  
 CABLE: 22 AWG 5 CONDUCTORS BLACK PVC JACKET  
 CABLE MARKING: W03-5 5x0.34MM<sup>2</sup> 300V PVC -5°C TO 70°C  
 ELECTRICAL  
 VOLTAGE RATING: 250V AC/DC  
 AMPERAGE: 4A

ENVIRONMENTAL  
 PROTECTION: IP67 PER IEC 60529  
 IP68 PER SPEC PS-120001-001  
 OPERATION TEMP: -5°C~70°C

RELEASE EC NO: IPG2013-1143 DRWN: TWOLDEGE 2013/01/28 CHKD: VOU APPR: JFMURPHY 2013/02/19	DESCRIPTION REV	QUALITY SYMBOLS ▽=0 ▽C=0	GENERAL TOLERANCES (UNLESS SPECIFIED)		DIMENSION STYLE INCH/MM	SCALE 1:1	DESIGN UNITS INCH	THIRD ANGLE PROJECTION		
			4 PLACES	mm	INCH	DRAWN BY TWOLDEGE	DATE 2012/06/20	TITLE MICRO CHANGE ASSEMBLY 5-POLE FEMALE STRAIGHT 22/5 AWG BLACK PVC		
			3 PLACES	±---	±---	CHECKED BY VOU	DATE ---			
			2 PLACES	±0.13	±0.010	APPROVED BY JFMURPHY	DATE 2013/02/19	MOLEX INCORPORATED DOCUMENT NO. SD-120001-027		
1 PLACE	±0.25	±0.020	MATERIAL NO.		SHEET NO. 1 OF 1					
DRAFT WHERE APPLICABLE MUST REMAIN WITHIN DIMENSIONS			ANGULAR ±.5°	SIZE A	THIS DRAWING CONTAINS INFORMATION THAT IS PROPRIETARY TO MOLEX INCORPORATED AND SHOULD NOT BE USED WITHOUT WRITTEN PERMISSION					

6

5

4

3

2

1

E

E

D

D

C

C

B

B

A

A