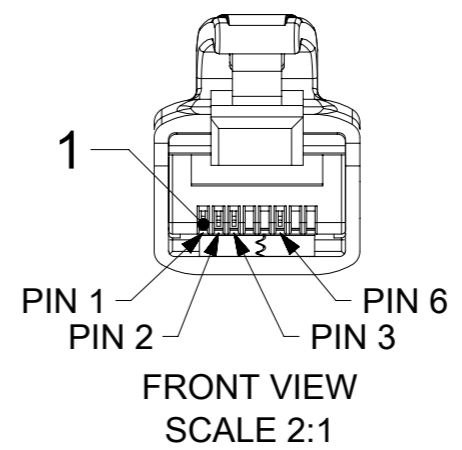
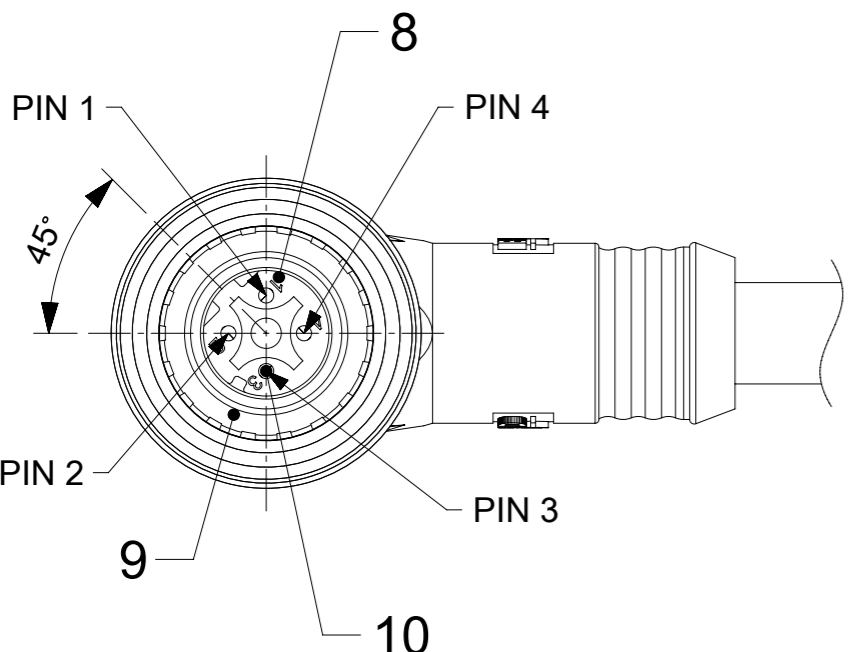
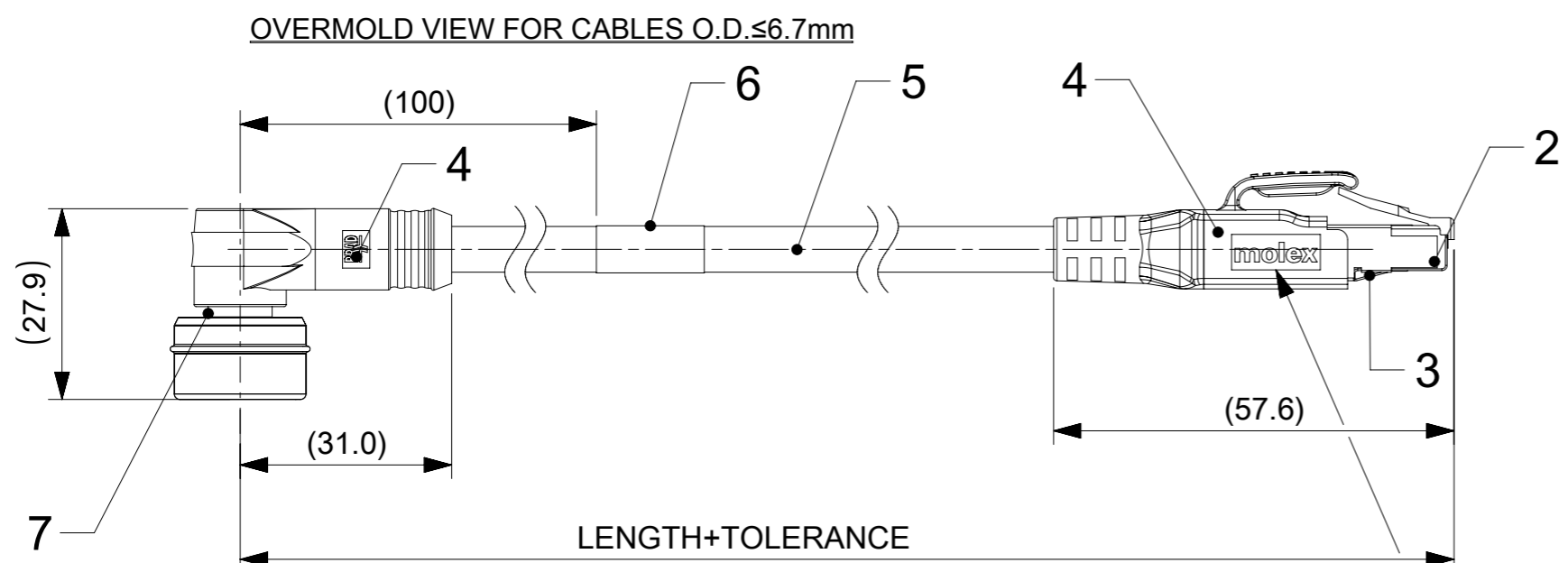
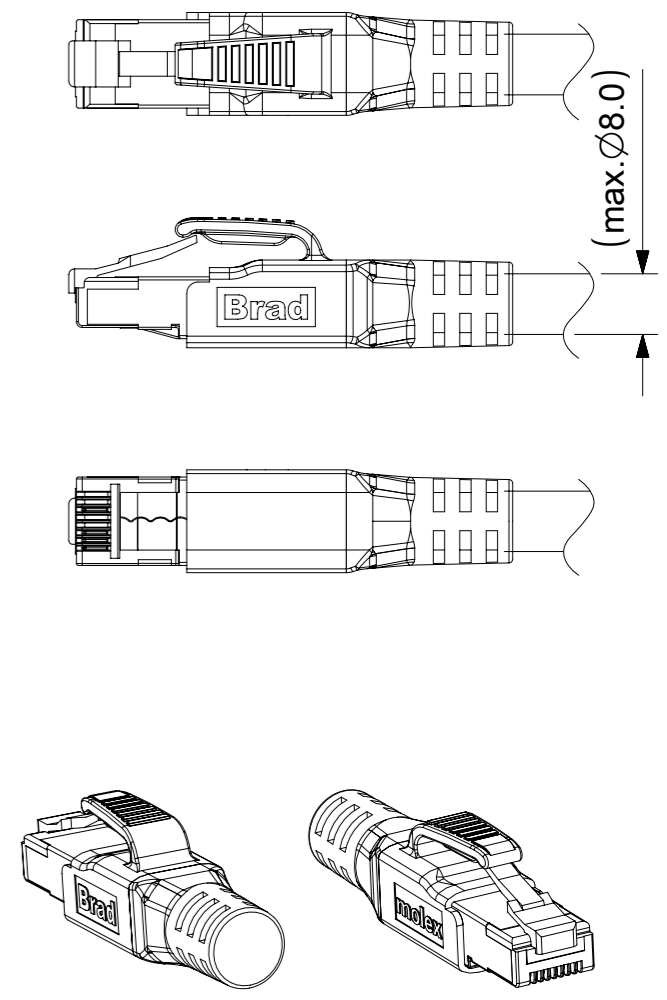


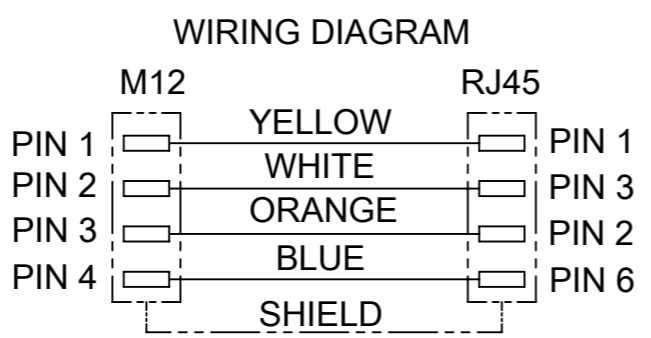
# MALE PLUG U12 ANGLED 90° TO PLUG RJ45 STRAIGHT



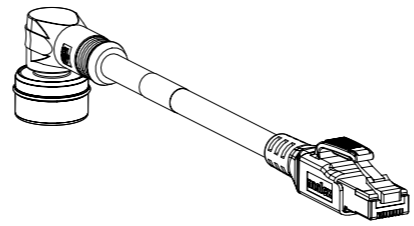
## OVERMOLD VIEW FOR CABLES O.D. ≥ 6.7mm



BLACK OVERMOULD  
MOLEX LOGO ON ONE SIDE  
BRAD LOGO ON OTHER SIDE



- NOTES:**
1. MATERIALS : SEE BOM TABLE
  2. FINISHES: SEE BOM TABLE
  3. ELECTRICAL DATA:  
MAX. VOLTAGE RATING 60 VDC  
MAX. CURRENT PER CONTACT 1.5 A
  4. ENVIRONMENTAL:  
INDEX OF PROTECTION RJ45: IP20  
INDEX OF PROTECTION M12: IP67  
OPERATING TEMP : -25°C to +85°C



ITEM	QTY.	DESCRIPTION	MATERIAL	FINISH
10	4	CONTACTS	BRASS	SELECTIVE GOLD
9	1	ORING GREEN	FPM	---
8	1	INSERT 4P MALE BLACK	TPU	---
7	1	SLEEVE	BRASS	NICKEL
6	1	LABEL	VINYL	---
5	-	CABLE	SEE SHEET 2	---
4	-	OVERMOULDING BLACK	TPU	---
3	1	SHIELD	BRASS	TIN
2	1	PLUG RJ45 TRANSPARENT	POLYCARBONATE	---
1	4	CONTACT RJ45 MALE	PHOSPHOR BRONZE	SELECTIVE GOLD

FUNCTIONAL SYMBOLS		THIS DRAWING CONTAINS INFORMATION THAT IS PROPRIETARY TO MOLEX ELECTRONIC TECHNOLOGIES, LLC AND SHOULD NOT BE USED WITHOUT WRITTEN PERMISSION		CURRENT REV DESC:	
▽/A = 0	mm	SCALE	1:1		
▽/E = 0	GENERAL TOLERANCES (UNLESS SPECIFIED)				
▽/V = 0	ANGULAR TOL ± °				
DIVISIONAL SYMBOLS					
3 PLACES ±		EC NO: 695694	2021/10/20	CSE U12 RJ45 4P DC MA RA PUR MA STR XM	
2 PLACES ±		DRWN: SSM	2022/02/15	PRODUCT CUSTOMER DRAWING	
1 PLACE ±		CHK'D: RSILLER	2022/02/15	DOCUMENT NUMBER	
0 PLACES ±		APPR: RSILLER	2022/02/15	1201088224	
DRAFT WHERE APPLICABLE MUST REMAIN WITHIN DIMENSIONS		INITIAL REVISION:	2016/03/08	DOC TYPE	DOC PART
THIRD ANGLE PROJECTION		DRWN: JMARSZALEK	2021/09/20	PSD	000
DRAWING		APPR: RSILLER	2021/09/20	A1	REVISION
A3-SIZE		SERIES	120108	SHEET NUMBER	
MATERIAL NUMBER		CUSTOMER	SEE PART LIST	GENERAL MARKET	
1 OF 2					

**NUMERICAL CODE** (Available parts see PART LIST table. Other parts available upon request).

**OPTIONS**

**E W 6 A 0 6 1 X X M X X X X**

E=Ethernet	Heads: W=Ultra-Lock U12 4P D-Code 6=RJ45	Wiring type	Heads style: 061=MA U12 RA 90° / RJ45 Plug STR	Cable type: See cable table	Units: M=Meter T=10x meter	Length Examples: 005=0.5 units 010=1 units 150=15 units	H= 2 pcs. of I/D Carrier
------------	---	----------------	--	--------------------------------	----------------------------------	---	-----------------------------

**CABLE INFORMATION** (for more information see Cable Data Sheet).

CABLE TYPE	CABLE O.D.	APPLICATION	CROSS SECTION	CABLE JACKET	UL	TEMP. RANGE STATIC BENDING RADIUS STATIC	TEMP. RANGE DYNAMIC BENDING RADIUS DYNAMIC	CYCLES	ADDITIONAL INFORMATION
11	6.8mm	PROFINET TYPE C	22AWG	PUR GREEN	STYLE 20549	-40°C to +80°C / min.5xO.D.	-20°C to +70°C / min.7.5xO.D.	up to 5 Mio	-
12	6.7mm	PROFINET TYPE C	22AWG	TPU BASED GREEN	STYLE 21215	-40°C to +80°C / min.5xO.D.	-25°C to +80°C / min.15xO.D.	about 2M, min.15xO.D., -5°C to +60°C	WSOR
16	6.5mm	-	24AWG	TPU BASED TEAL	STYLE 21215	-40°C to +80°C / min.6xO.D.	-20°C to +50°C	1M, min.10xO.D. / 2M min.20xO.D. @20°C	WSOR
17	8.0mm	PROFINET TYPE B & C	22AWG	TPE GREEN	STYLE 2463	-40°C to +75°C		1M min.10xO.D. / 10M min.20xO.D. @20°C	WSOR

**PART LIST**

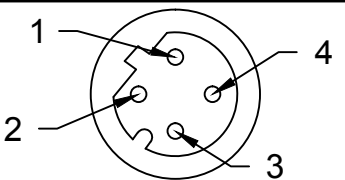
No.	MOLEX P/N	ENGINEERING NO.	CABLE LENGTH
1	1201088224	EW6A06111M020	2m
2	1201088225	EW6A06111M060	6m
3	1201088226	EW6A06111M100	10m
4	1201088227	EW6A06111M150	15m
5	1201088228	EW6A06111M200	20m
6	1201088229	EW6A06111M300	30m
7	1201088230	EW6A06111M400	40m
8	1201088231	EW6A06111M500	50m
9	1201088232	EW6A06111M900	90m
10	1201088233	EW6A06111T100	100m
11	1201088383	EW6A06111M012	1.2m
12			
13			
14			
15			
16			
17			
18			
19			
20			
21			
22			
23			
24			
25			

**CABLE LENGTH TOLERANCES**

LENGTH	TOLERANCE
0 m-1 m	+40 mm
>1 m-5 m	+60 mm
>5 m-10 m	+80 mm
>10 m-20 m	+140 mm
>20 m-30 m	+160 mm
>30 m	+1% length

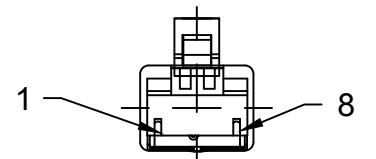
FUNCTIONAL SYMBOLS	THIS DRAWING CONTAINS INFORMATION THAT IS PROPRIETARY TO MOLEX ELECTRONIC TECHNOLOGIES, LLC AND SHOULD NOT BE USED WITHOUT WRITTEN PERMISSION		CURRENT REV DESC:	
$\nabla_A = 0$	DIMENSION UNITS	SCALE	EC NO: 695694	
$\nabla_E = 0$	mm	1:1	DRWN: SSM 2021/10/20	
$\nabla_V = 0$	GENERAL TOLERANCES (UNLESS SPECIFIED)		CHK'D: RSILLER 2022/02/15	
DIVISIONAL SYMBOLS	ANGULAR TOL	± °	APPR: RSILLER 2022/02/15	
	4 PLACES	±	INITIAL REVISION:	
	3 PLACES	±	DRWN: JMARSZALEK 2016/03/08	
	2 PLACES	±	APPR: RSILLER 2021/09/20	
	1 PLACE	±	DOCUMENT NUMBER	
	0 PLACES	±	1201088224	
DRAFT WHERE APPLICABLE MUST REMAIN WITHIN DIMENSIONS		THIRD ANGLE PROJECTION	DRAWING	SERIES
			A3-SIZE	120108
		MATERIAL NUMBER	CUSTOMER	SHEET NUMBER
		SEE PART LIST	GENERAL MARKET	2 OF 2

FRONT VIEW - MALE M12

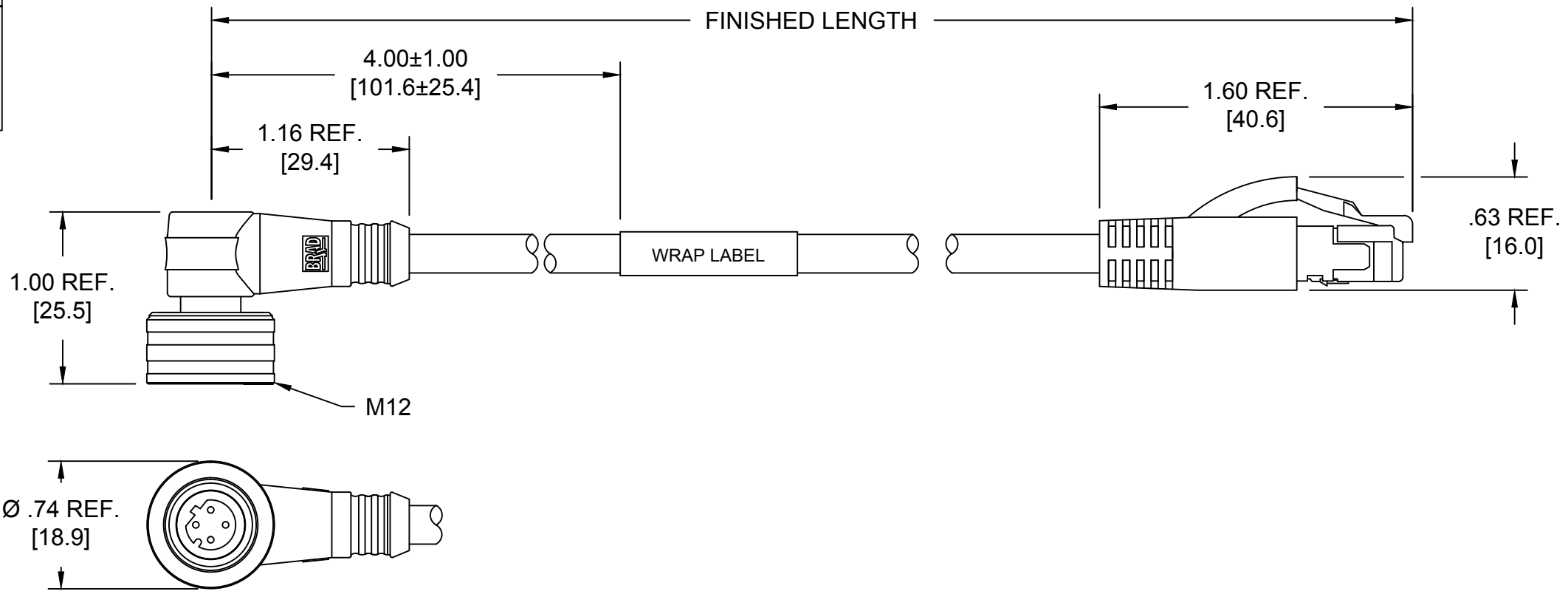


1-YELLOW  
2-WHITE  
3-ORANGE  
4-BLUE

FRONT VIEW - MALE RJ45



1-YELLOW  
2-ORANGE  
3-WHITE  
6-BLUE



NOTES:

MECHANICAL

RJ45  
PLUG: CLEAR POLYCARBONATE  
BOOT: BLACK PVC

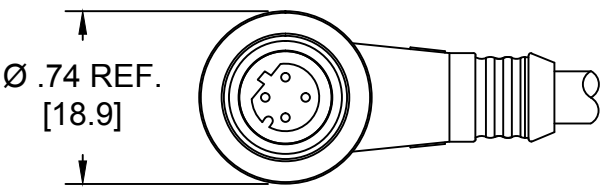
M12 CONNECTOR  
INSERT: BLACK PUR  
CONTACT: GOLD/NICKEL OVER COPPER ALLOY  
COUPLING NUT: NICKEL PLATED BRASS  
MOLDED BODY: BLACK PUR

CABLE: 22 AWG 4 CONDUCTORS SHIELDED GREEN PUR JACKET  
AGENCY LISTED: UL AND CSA  
CABLE MARKING: X N X 2x2xAWG22/7-9H(ST) C11Y INDUSTRIAL ETHERNET  
PROFINET TYP C E48408 cULus AWM STYLE 20236 AWM I/II A/B  
80°C 30 V FT1

WRAP LABEL: MARKED WITH P/N, DATE CODE, VOLTAGE & AMPERAGE

ELECTRICAL

ACCORDING TO CAT5e  
VOLTAGE RATING: 30V AC/DC  
AMPERAGE: 1.5A



ADDED PART NO. TABLE EC NO: IPG2015-2010 DRWN: GGUSTAFS 2015/05/27 CHKD: BARDEN 2015/07/23 APPR: BWOODMAN 2014/08/02	DESCRIPTION REV	QUALITY SYMBOLS	GENERAL TOLERANCES (UNLESS SPECIFIED)		DIMENSION STYLE		SCALE	DESIGN UNITS	THIRD ANGLE PROJECTION	
		▼=0 ∇=0	mm	INCH	IN/MM	NTS	INCH	TITLE <b>MICRO-CHANGE/RJ45 4P M ULOCK 90D TO RJ45 2X2X22AWG GREEN PUR</b>		
			4 PLACES	±---	±---	DRAWN BY	DATE			
			3 PLACES	±---	±.005	BARDEN	2013/12/04			
2 PLACES	±0.13	±.010	CHECKED BY	DATE	MOLEX INCORPORATED					
1 PLACE	±0.25	±.020	TWOLDEGE	2014/04/09						
ANGULAR ±1/2°			APPROVED BY	DATE	DOCUMENT NO.		SHEET NO.			
DRAFT WHERE APPLICABLE MUST REMAIN WITHIN DIMENSIONS			JFMURPHY	2014/08/02	SD-120108-070		1 OF 2			
			MATERIAL NO.		SEE TABLE		THIS DRAWING CONTAINS INFORMATION THAT IS PROPRIETARY TO MOLEX INCORPORATED AND SHOULD NOT BE USED WITHOUT WRITTEN PERMISSION			
			SIZE		B					

MATERAIL NO.	ENGINEERING NO.
1201088383	EW6A06111M012
1201088224	EW6A06111M020
1201088225	EW6A06111M060
1201088226	EW6A06111M100
1201088227	EW6A06111M150
1201080228	EW6A06111M200
1201088229	EW6A06111M300
1201088230	EW6A06111M400
1201088231	EW6A06111M500
1201088232	EW6A06111M900
1201088233	EW6A06111T100

**EW6A06111M020**

CABLE TYPE  
22/4AWG  
PUR GREEN

CABLE LENGTH  
010----1 Meter  
100----10 Meters

ADDED PART NO. TABLE EC NO: IPG2015-2010 DRWN: GGUSTAFS 2015/05/27 CHKD: BARDEN 2015/07/23 APPR: BWOODMAN 2014/08/02	DESCRIPTION REV	QUALITY SYMBOLS	GENERAL TOLERANCES (UNLESS SPECIFIED)		DIMENSION STYLE		SCALE	DESIGN UNITS	THIRD ANGLE PROJECTION			
		= 0 = 0	mm	INCH	IN/MM	NTS	INCH					
		4 PLACES	±---	±---	DRAWN BY	DATE	TITLE					
		3 PLACES	±---	±.005	BARDEN	2013/12/04	<b>MOLEX INCORPORATED</b> MICRO-CHANGE/RJ45 4P M ULOCK 90D TO RJ45 2X2X22AWG GREEN PUR					
		2 PLACES	±0.13	±.010	CHECKED BY	DATE						
1 PLACE	±0.25	±.020	TWOLDEGE	2014/04/09	APPROVED BY		DATE	DOCUMENT NO.			SHEET NO.	
ANGULAR ±1/2°			JFMURPHY	2014/08/02	MATERIAL NO.		SD-120108-070		2 OF 2			
DRAFT WHERE APPLICABLE MUST REMAIN WITHIN DIMENSIONS			SEE TABLE		THIS DRAWING CONTAINS INFORMATION THAT IS PROPRIETARY TO MOLEX INCORPORATED AND SHOULD NOT BE USED WITHOUT WRITTEN PERMISSION							
B			B									