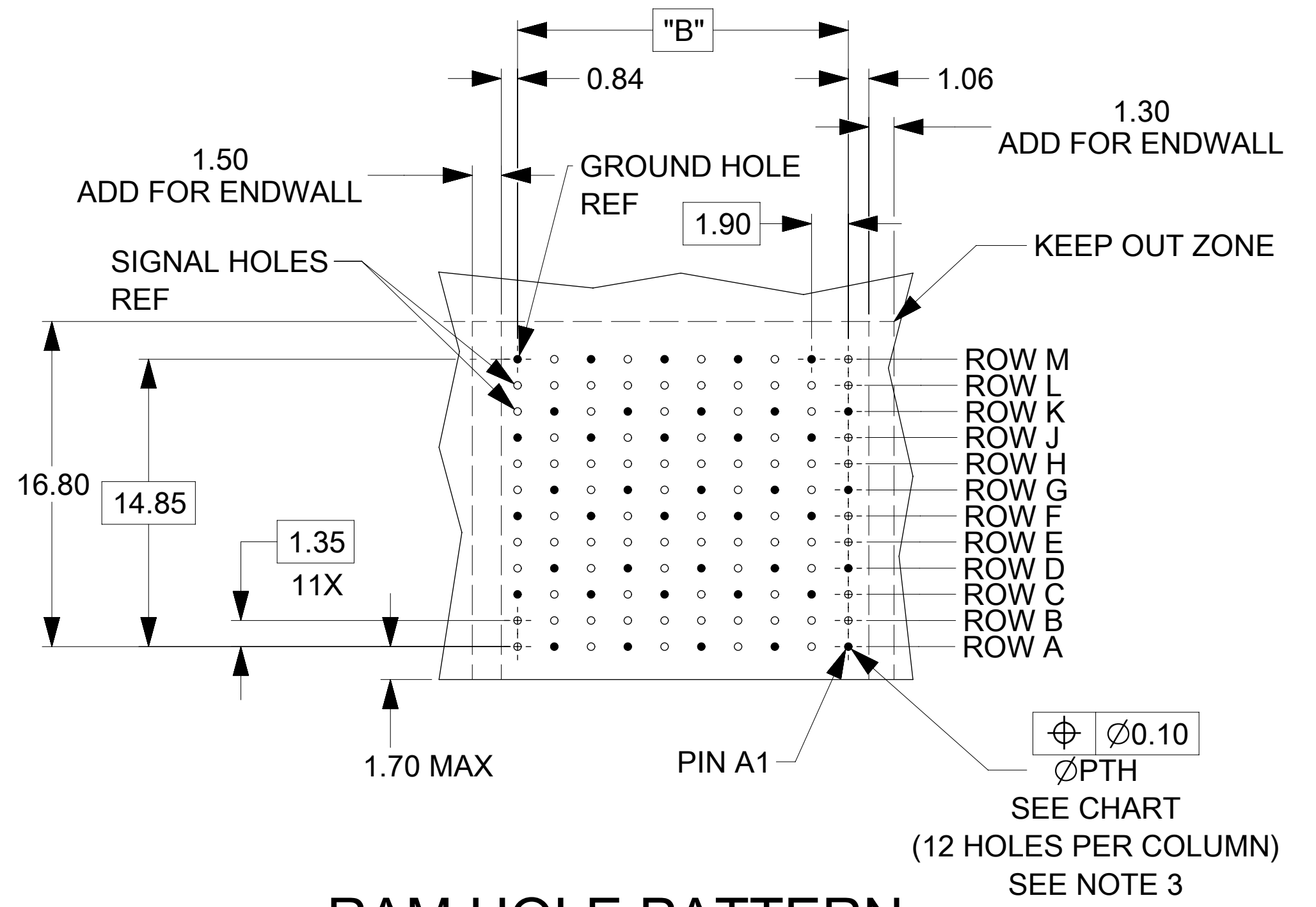
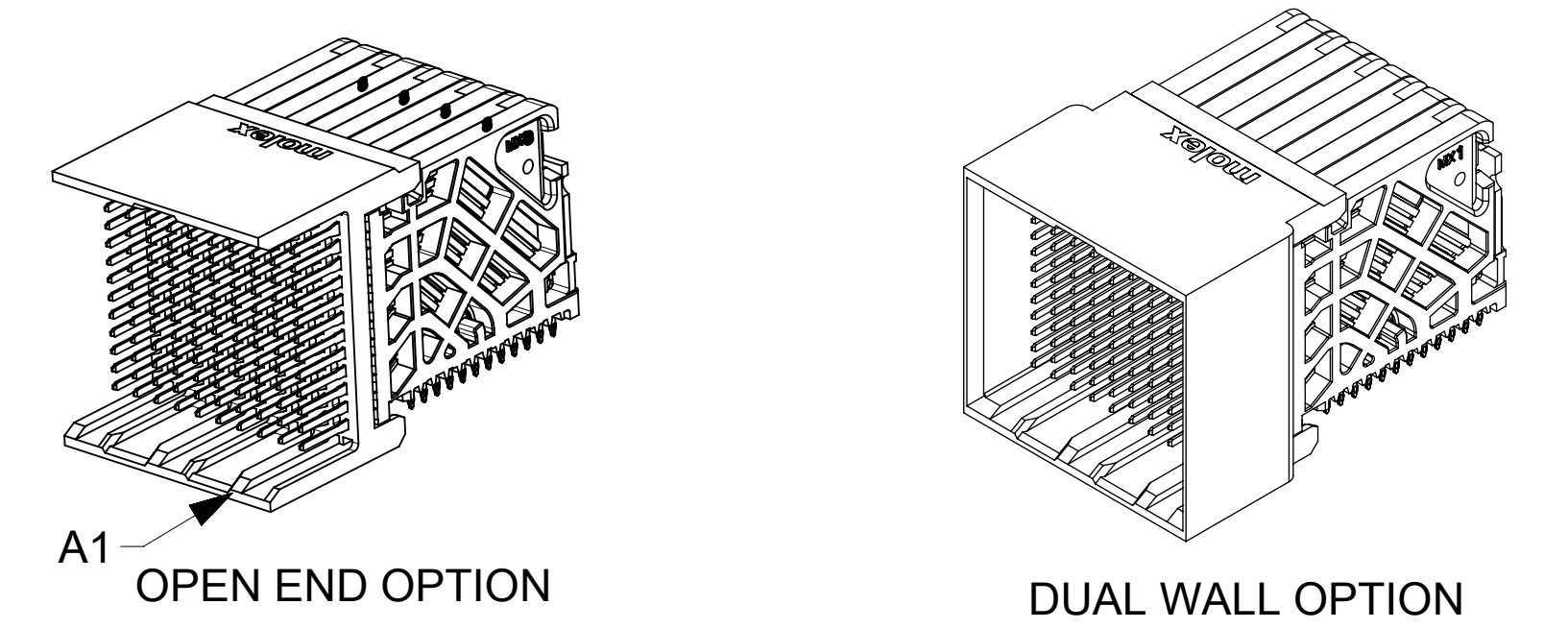
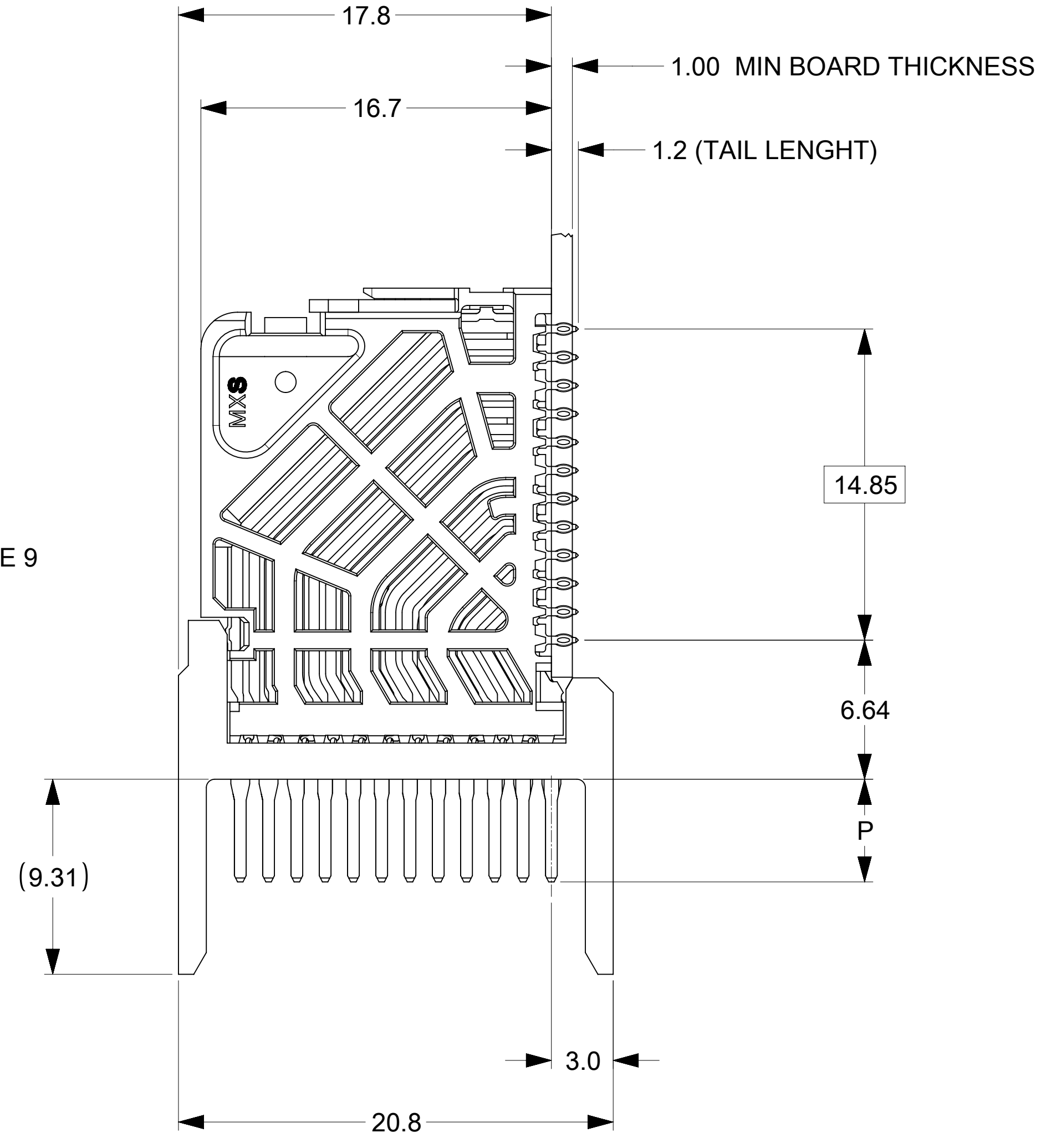
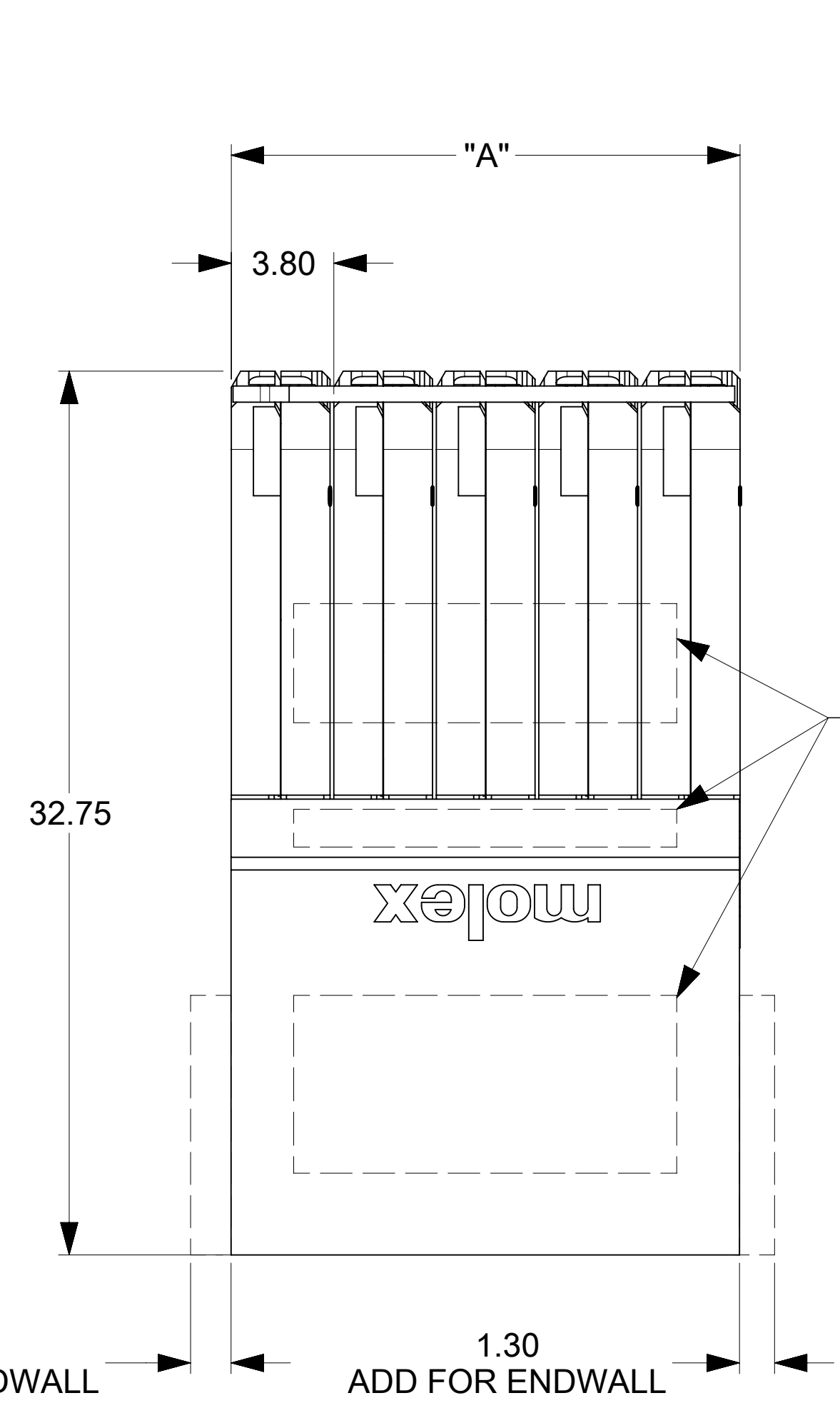


MATERIAL NUMBER	# OF COLUMNS	# OF DIFF PAIR	DIM "A" MAX	DIM "B"	PTH $\phi$
76500-*8**	8	32	15.20	13.30	0.46±0.05
76500-*1**	10	40	19.00	17.10	0.46±0.05
76500-*6**	16	64	30.40	28.50	0.46±0.05
76500-*8**	8	32	15.20	13.30	0.39±0.05
76500-*1**	10	40	19.00	17.10	0.39±0.05
76500-*6**	16	64	30.40	28.50	0.39±0.05

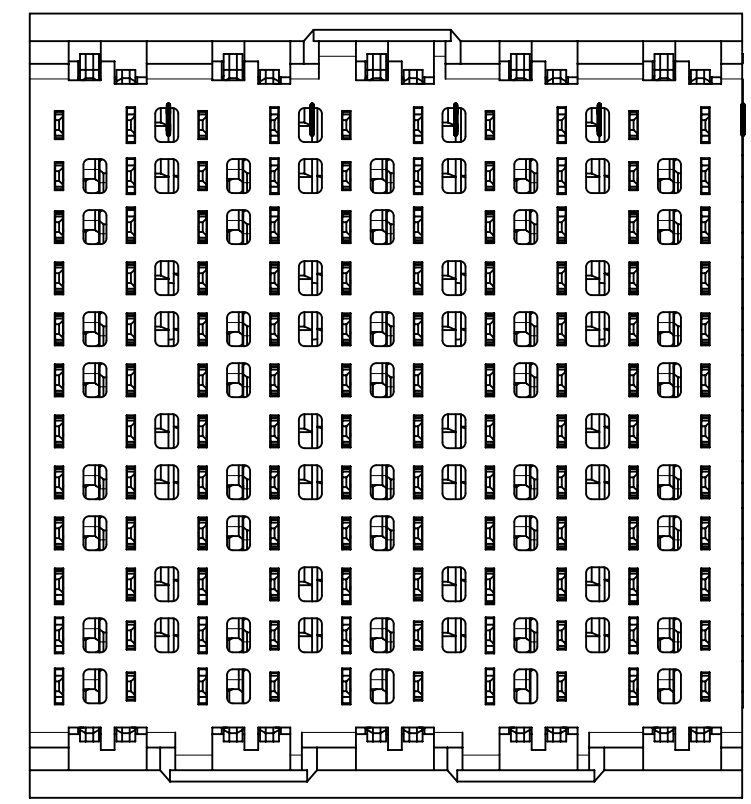
# 76500-\*\*\*\*

- MODULE TYPE**  
1 = UNGUIDED, LEAD-FREE
- # OF COLUMNS**  
1 = 10 COLUMNS  
6 = 16 COLUMNS  
8 = 8 COLUMNS
- PIN LENGTH (P)**  
4 = 4.90 (0.46 PTH)  
5 = 5.50 (0.46 PTH)  
7 = 4.90 (0.39 PTH)  
8 = 5.50 (0.39 PTH)
- END WALL OPTIONS**  
0 = OPEN ENDS  
1 = LEFT ENDWALL  
2 = DUAL ENDWALL  
3 = RIGHT ENDWALL

- NOTES:
- MATERIALS: HOUSING - LIQUID CRYSTAL POLYMER (LCP), GLASS-FILLED, UL94V-0  
TERMINALS - HIGH PERFORMANCE COPPER ALLOY
  - FINISH: 30 $\mu$ IN SELECTIVE GOLD IN CONTACT AREA, SELECTIVE TIN ON PCB TAILS, NICKEL OVERALL.
  - REFER TO MOLEX PRODUCT SPECIFICATION PS-76060-999 FOR PERFORMANCE SPECIFICATIONS AND ADDITIONAL PCB INFORMATION.
  - EACH SIGNAL WAFER CONTAINS 2 COLUMNS OF TERMINALS.
  - PRODUCT IS PACKAGED PER PK-70873-041.
  - THIS PART CONFORMS TO CLASS B REQUIREMENTS OF COSMETIC SPEC PS-45499-002.
  - REFER TO MOLEX SALES DRAWING SD-76160-001 FOR THE MATING RECEPTACLES.
  - REFER TO MOLEX PCB ROUTING GUIDE AS-76060-990 FOR ANTIPAD AND ROUTING RECOMMENDATIONS.
  - MARKING: LOCATED APPROXIMATELY AS SHOWN. PART NUMBER AND DATE CODE.

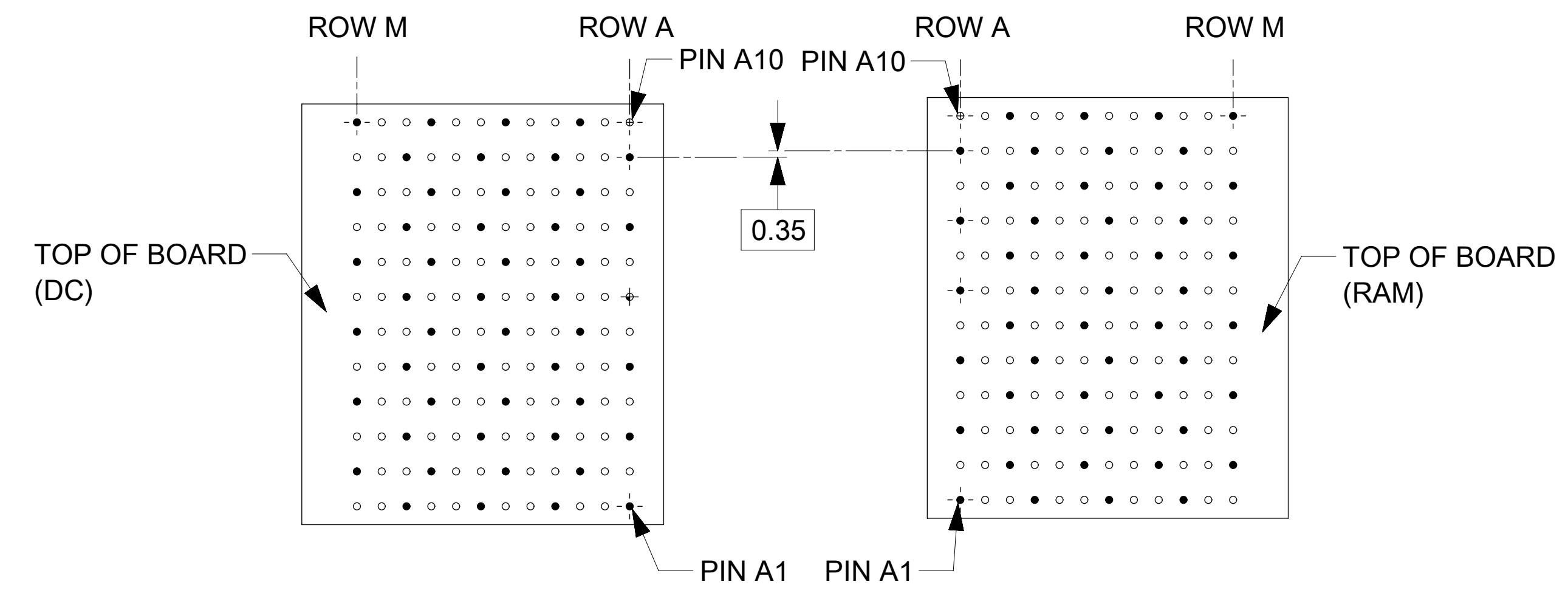
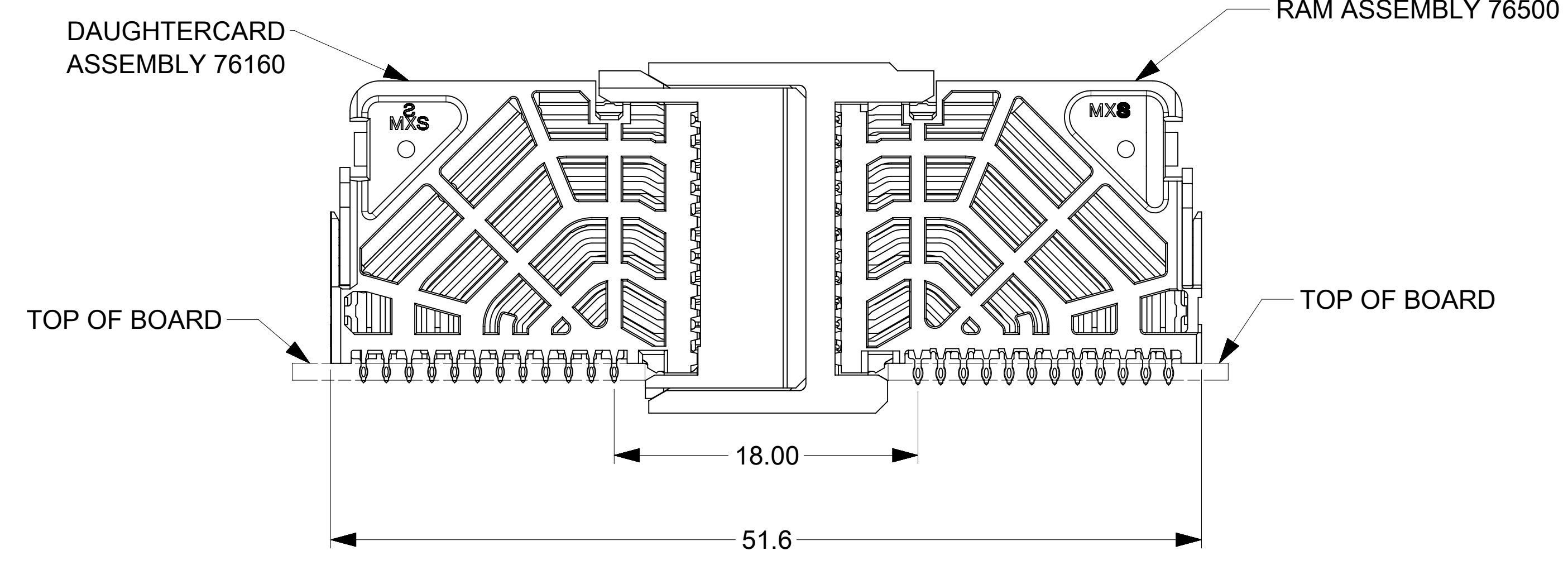


## RAM HOLE PATTERN (CONNECTOR SIDE)

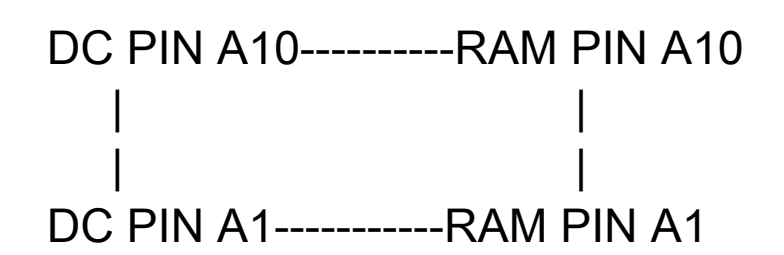


THIS DRAWING CONTAINS INFORMATION THAT IS PROPRIETARY TO MOLEX ELECTRONIC TECHNOLOGIES, LLC AND SHOULD NOT BE USED WITHOUT WRITTEN PERMISSION											
DIMENSION UNITS: mm		SCALE: NTS		CURRENT REV DESC: REMASTERED TO NX							
GENERAL TOLERANCES (UNLESS SPECIFIED)				<p><b>molex</b></p> <p>IMPACT 4 PAIR RAM UNGUIDED SIGNAL MODULE SALES DRAWING</p> <p>PRODUCT CUSTOMER DRAWING</p> <p>DOCUMENT NUMBER: SD-76500-001   DOC TYPE: PSD   DOC PART: 001   REVISION: D4</p> <p>DRAWING: D-SIZE   SERIES: 76500   MATERIAL NUMBER: SEE TABLE   CUSTOMER: GENERAL MARKET   SHEET NUMBER: 1 OF 2</p>							
ANGULAR TOL: ± 0.5°											
4 PLACES: ±											
3 PLACES: ±											
2 PLACES: ± 0.13											
1 PLACE: ± 0.25											
0 PLACES: ±				EC NO: 705090		2021/12/07		DRWN: DYARAS		2022/02/09	
DRAFT WHERE APPLICABLE MUST REMAIN WITHIN DIMENSIONS				THIRD ANGLE PROJECTION		DRAWING: D-SIZE		SERIES: 76500		INITIAL REVISION: DRWN: JQUILES 2009/01/12   APPR: JLAURX 2009/01/13	

### COPLANAR APPLICATION



### COPLANAR MATED SIGNAL PATHS



THIS DRAWING CONTAINS INFORMATION THAT IS PROPRIETARY TO MOLEX ELECTRONIC TECHNOLOGIES, LLC AND SHOULD NOT BE USED WITHOUT WRITTEN PERMISSION

DIMENSION UNITS	SCALE	CURRENT REV DESC: REMASTERED TO NX						
mm	NTS							
GENERAL TOLERANCES (UNLESS SPECIFIED)		EC NO: 705090		IMPACT 4 PAIR RAM				
ANGULAR TOL ± 0.5°		DRWN: DYARAS 2021/12/07		UNGUIDED SIGNAL MODULE SALES DRAWING				
4 PLACES ±		CHK'D: YOGEEB 2022/02/09		PRODUCT CUSTOMER DRAWING				
3 PLACES ±		APPR: LZENG 2022/05/13		DOCUMENT NUMBER		DOC TYPE	DOC PART	REVISION
2 PLACES ± 0.13		INITIAL REVISION:		SD-76500-001		PSD	001	D4
1 PLACE ± 0.25		DRWN: JQUILES 2009/01/12		MATERIAL NUMBER		CUSTOMER		SHEET NUMBER
0 PLACES ±		APPR: JLAURX 2009/01/13		SEE TABLE		GENERAL MARKET		2 OF 2
DRAFT WHERE APPLICABLE MUST REMAIN WITHIN DIMENSIONS		THIRD ANGLE PROJECTION	DRAWING	SERIES	MATERIAL NUMBER		CUSTOMER	
			D-SIZE	76500	SEE TABLE		GENERAL MARKET	