

L Series

**Power Entry Modules
with RFI Power Line Filter
for General or Medical Applications**



**UL Recognized
CSA Certified
VDE Approved
SEV Approved**



EDL1S/EHL1S



EDL4C/EHL4C

L Series

The L series power entry modules are compact units that combine a multi-function power entry module and high performance RFI filtering capabilities. They are available with either a four-voltage selector or a DPST on/off switch. Both variations can be specified with North American or European fusing capabilities and are available in either flange or snap-in mounting.

These filters are UL recognized, CSA certified, and VDE and SEV approved. The L series modules offer a choice of filters for general or medical applications.

EDL Models

The RFI filter is for general purpose applications where line-to-line and line-to-ground noise must be controlled. The filter is designed to meet the very low leakage requirements of SEV and VDE portable equipment. They are available in three current ratings.

EHL Models – This medical filter provides susceptibility protection without the leakage current associated with line-to-ground capacitors. Designed to allow equipment to meet UL544 for patient care and nonpatient care equipment, the EHL filter has a maximum leakage current of 2 μ A at 120 VAC 60 Hz. See Appendix C for more information on medical applications and UL standards.

Unfiltered

Part Number	Current Rating @120VAC (Amps)	Current Rating @250VAC (Amps)	Available Voltage Selection Position	DPST On/Off Switch	Mounting Style	Fuseholder Type
6EL1S	6	6	1	•	Flange	North American
6EL1SC	6	6	1	•	Snap-in	North American
6EL1SM	6	6	1	•	Flange	Metric
6EL1SCM	6	6	1	•	Snap-in	Metric
6EL4	6	6	4	–	Flange	North American
6EL4C	6	6	4	–	Snap-in	North American
6EL4M	6	6	4	–	Flange	Metric
6EL4CM	6	6	4	–	Snap-in	Metric

• Includes DPST switch

Consult your local Corcom sales representative for pricing.

Filtered Models

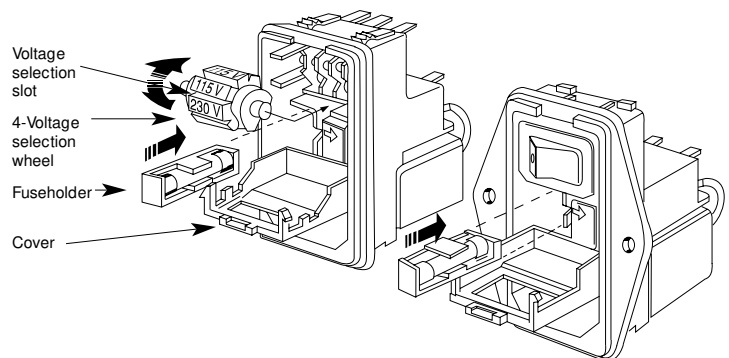
Part Number	RFI Filter Type†	Current Rating @ 120VAC (Amps)	Current Rating @ 250VAC (Amps)	Available Voltage Selection Position	DPST On/Off Switch	Mounting Style	Fuseholder Type
2EDL1S	Linear	2	2	1	•	Flange	North American
2EDL1SC	Linear	2	2	1	•	Snap-in	North American
2EDL1SM	Linear	2	2	1	•	Flange	Metric
2EDL1SCM	Linear	2	2	1	•	Snap-in	Metric
2EDL4	Linear	2	2	4	—	Flange	North American
2EDL4C	Linear	2	2	4	—	Snap-in	North American
2EDL4M	Linear	2	2	4	—	Flange	Metric
2EDL4CM	Linear	2	2	4	—	Snap-in	Metric
4EDL1S	Linear	4	4	1	•	Flange	North American
4EDL1SC	Linear	4	4	1	•	Snap-in	North American
4EDL1SM	Linear	4	4	1	•	Flange	Metric
4EDL1SCM	Linear	4	4	1	•	Snap-in	Metric
4EDL4	Linear	4	4	4	—	Flange	North American
4EDL4C	Linear	4	4	4	—	Snap-in	North American
4EDL4M	Linear	4	4	4	—	Flange	Metric
4EDL4CM	Linear	4	4	4	—	Snap-in	Metric
6EDL1S	Linear	6	6	1	•	Flange	North American
6EDL1SC	Linear	6	6	1	•	Snap-in	North American
6EDL1SM	Linear	6	6	1	•	Flange	Metric
6EDL1SCM	Linear	6	6	1	•	Snap-in	Metric
6EDL4	Linear	6	6	4	—	Flange	North American
6EDL4C	Linear	6	6	4	—	Snap-in	North American
6EDL4M	Linear	6	6	4	—	Flange	Metric
6EDL4CM	Linear	6	6	4	—	Snap-in	Metric
6EHL1S	Medical	6	6	1	•	Flange	North American
6EHL1SC	Medical	6	6	1	•	Snap-in	North American
6EHL1SM	Medical	6	6	1	•	Flange	Metric
6EHL1SCM	Medical	6	6	1	•	Snap-in	Metric
6EHL4	Medical	6	6	4	—	Flange	North American
6EHL4C	Medical	6	6	4	—	Snap-in	North American
6EHL4M	Medical	6	6	4	—	Flange	Metric
6EHL4CM	Medical	6	6	4	—	Snap-in	Metric

† Refer to catalog page 83 for more information on RFI filter types.

- Includes DPST switch
- Consult your local Corcom sales representative for pricing.

Voltage Selection

To change selected voltage: disconnect the power cord; open cover using a small blade screwdriver or similar tool; insert the tool into the voltage selection slot and remove wheel from unit; select desired voltage; replace wheel into unit and close cover, *making sure the selected voltage appears in connector window.*



Note: All models have North American or dual European fusing capability and are available in either flange or snap-in mounting.

L Series

Specifications – Unfiltered

Rated current: 6 Amp @ 120 VAC
6 Amp @ 250 VAC

Operating voltages:
6EL1S & 6EL1SC
Models–Fixed 100, 120, 200, 240 VAC
6EL4 & 6EL4C
Models–Selectable 100, 120, 220, 240 VAC

Operating frequency: 50/60 Hz

Rated voltage: 120/250 VAC

Switch: Double-insulated, rated for 10,000 operations at full load.
51 Amp inrush capability.
(6EL1S & 6EL1SC models only)

Fuse (not included): Accepts one 1/4" x 1-1/4" fuse or two 5 x 20mm fuses

Terminals: .110" (2.79mm) terminals except for switch.
.187" (4.8mm) terminals for switch.

Specifications – Filtered

Maximum leakage current, each line-to-ground:
@ 120 VAC 60 Hz: EDL Models 0.25 mA
EHL Models 2 µA
@ 250 VAC 50 Hz: EDL Models 0.50 mA
EHL Models 5 µA

Hipot rating (one minute):
line-to-ground EDL Models 1500 VAC
EHL Models 1500 VAC
line-to-line All Models 1450 VDC

Operating voltages:
1S_ & 1SC_ Models – Fixed 100, 120, 220, 240 VAC
4_ & 4C_ Models – Selectable 100, 120, 220, 240 VAC

Operating frequency: 50/60 Hz

Rated voltage: 120/250 VAC

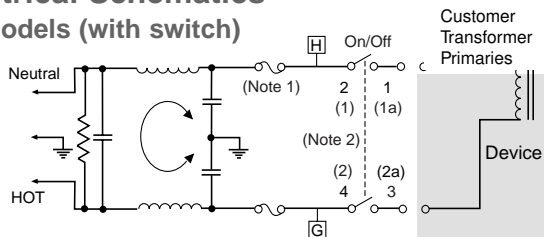
Switch: Double-insulated, rated for 10,000 operations at full load.
51 Amp inrush capability.
(1S_ & 1SC_ models only)

Fuse (not included): Accepts one 1/4" x 1-1/4" fuse or two 5 x 20mm fuses

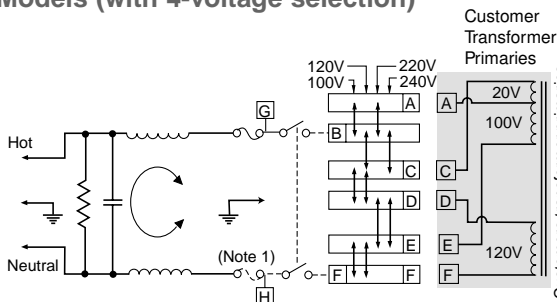
Terminals: .110" (2.79mm) terminals except for switch.
.187" (4.8mm) terminals for switch.

Electrical Schematics

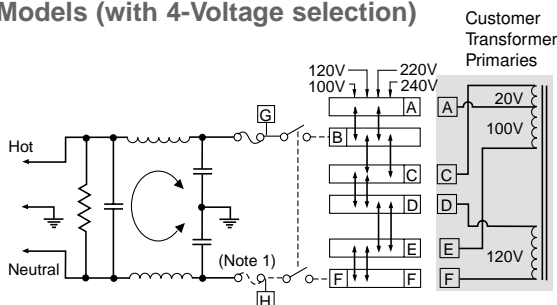
DL Models (with switch)



HL Models (with 4-voltage selection)



DL Models (with 4-Voltage selection)



Resistor location for reference only.

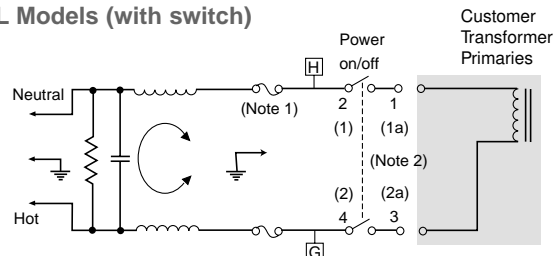
Minimum insertion loss in dB: Line-to-ground in 50 ohm circuit

Frequency MHz	EDL 2A	EDL 4A	EDL 6A	EHL 6A
.05	6	2	1	3
.15	14	8	6	8
1	24	18	17	15
5	40	32	31	18
10	45	38	37	18
30	50	45	45	18

Line-to-line in 50 ohm circuit

Frequency MHz	EDL 2A	EDL 4A	EDL 6A	EHL 6A
.15	7	6	6	4
.5	16	15	15	14
1	21	18	20	20
3	23	23	25	28
5	37	26	25	32
10	47	45	45	38
30	50	47	50	42

HL Models (with switch)

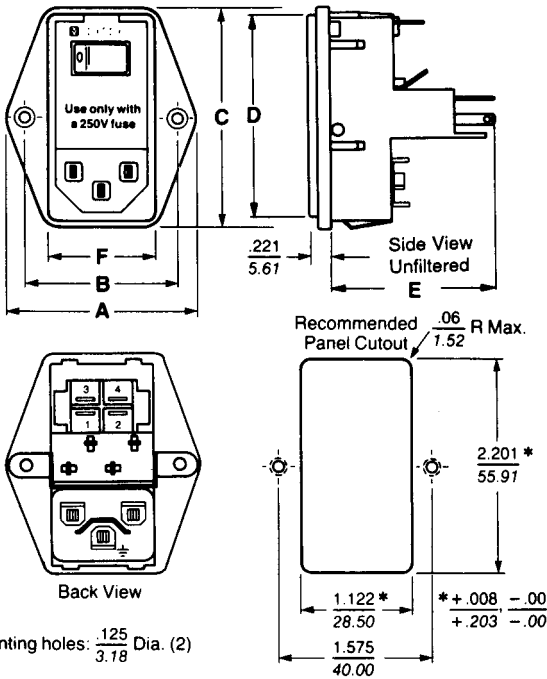


NOTES: Note 1: Provision for dual European style fusing.
Note 2: On/Off switch present only with "S" suffix.

Case Styles – Unfiltered Models

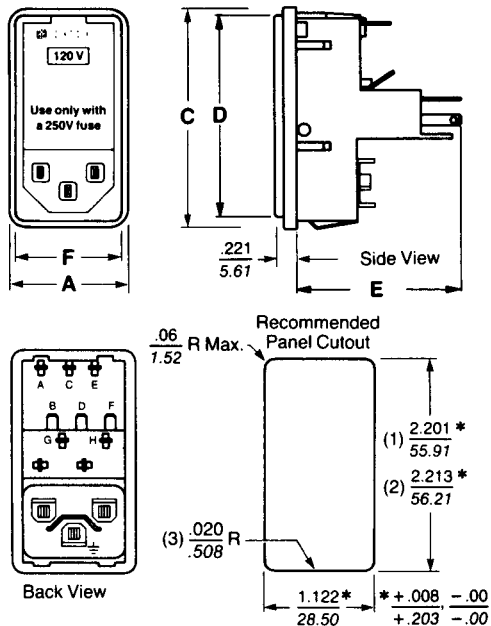
Metric shown in italics.

Flange Models



All backplate terminals: $\frac{.110}{2.79}$ terminals, except for switch. Switch terminals are $\frac{.187}{4.75}$.
 Note: Snap-in models allow front mounting only.

Snap-In Models



(1) For panel thickness of .031-.079 (0.8-2.0)
 (2) For panel thickness of .083-.126 (2.1-3.2)
 (3) For snap-in application, the 1.22 (28.5) sides of the cutout must have a .02 (.508) radius on the installation side.

All backplate terminals: $\frac{.110}{2.79}$ terminals, except for switch. Switch terminals are $\frac{.187}{4.75}$.
 Note: Snap-in models allow front mounting only.

Case Dimensions

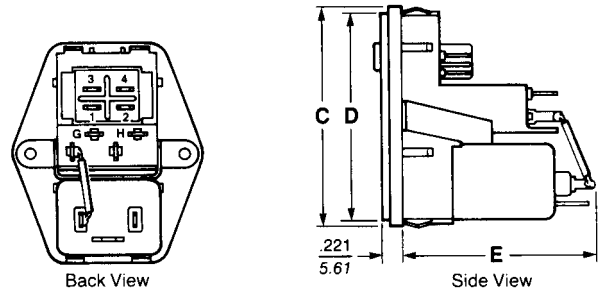
Metric shown in italics.

Part No.	A (max) $\pm .015$ $\pm .038$	B (max)	C (max)	D (max)	E (max)	F (max)
FLANGE UNFILTERED	1.98 50.29	1.575 40.0	2.3 58.42	2.14 54.36	1.66 42.16	1.11 28.19
SNAP-IN UNFILTERED	1.28 32.51	—	2.3 58.42	2.14 54.36	1.66 42.16	1.11 28.19
FLANGE FILTERED	1.98 50.29	1.575 40.0	2.3 58.42	2.14 54.36	2.01 51.05	1.11 28.19
SNAP-IN FILTERED	1.28 32.51	—	2.3 58.42	2.14 54.36	2.01 51.05	1.11 28.19

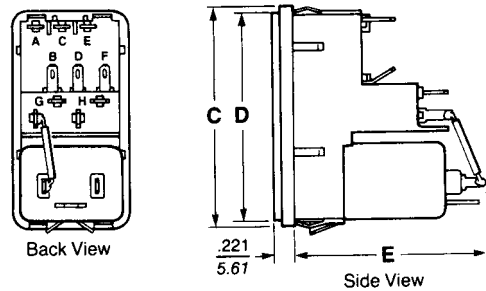
Case Styles – Filtered Models

Metric shown in italics.

Flange Models



Snap-In Models



Metric fuse models have additional jumper from filter to module.