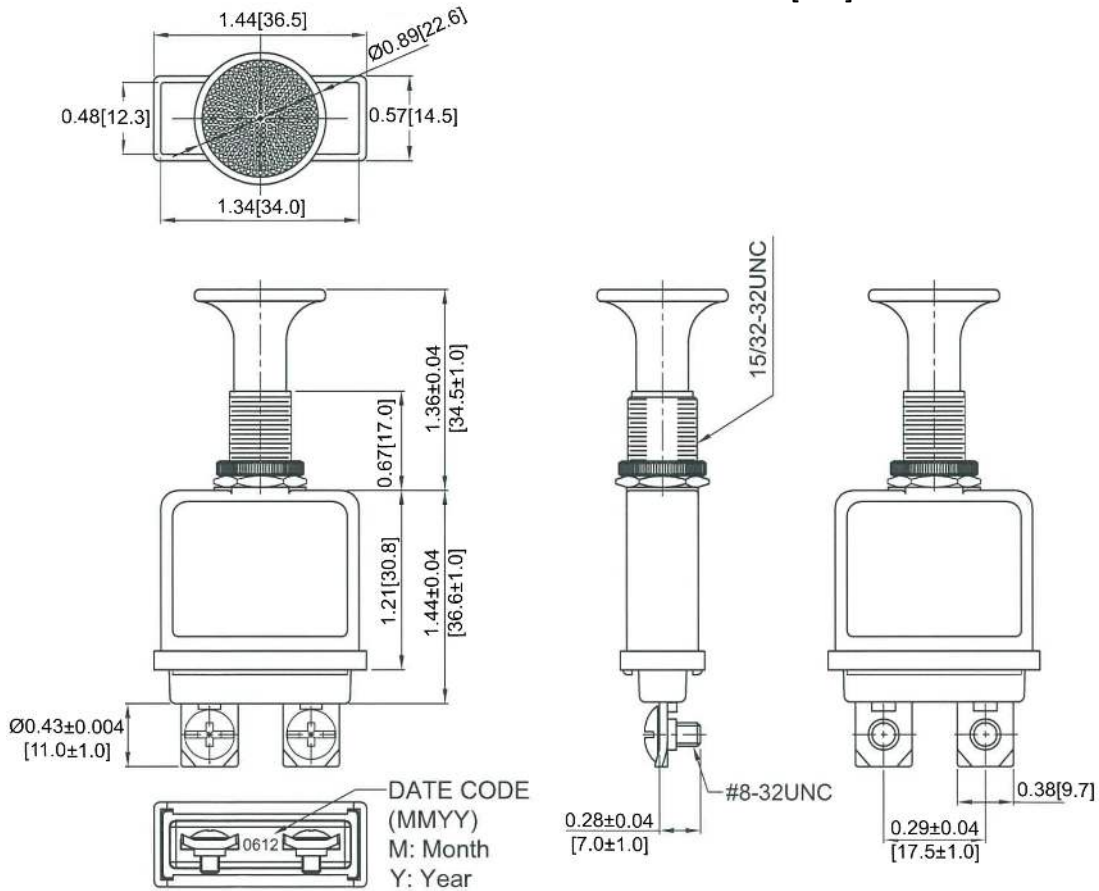


## Mechanical Dimensions: Inches [mm]

Tolerances  $\pm 0.012$  [0.3] Unless Otherwise Specified

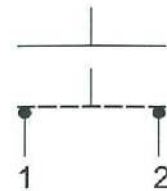


## Mounting Hole



## Circuit Diagram

2P PUSH-OFF/PULL-ON



## Electrical Specifications

Rating	75A, 6-28V DC
Contact Resistance	50m ohm Max.
Insulation Resistance	DC 500V 100M ohm Min
Dielectric Strength	AC 500V 1 minute
Operation Temperature	-25°C ~ 85°C

## Material Specifications

Frame	Nickel Plated, Zn Alloy
Actuator	Black Plated, Zn Alloy
Terminals	Copper Alloy. #8-32UNC

# Push-Pull Switch

PP-1A-DC-7-B



**Rev**    **Date of issue**    **Revision Notes**

**Designed**    **Approved**

A	05-18-2021	Initial Drawing	RC	OF
---	------------	-----------------	----	----