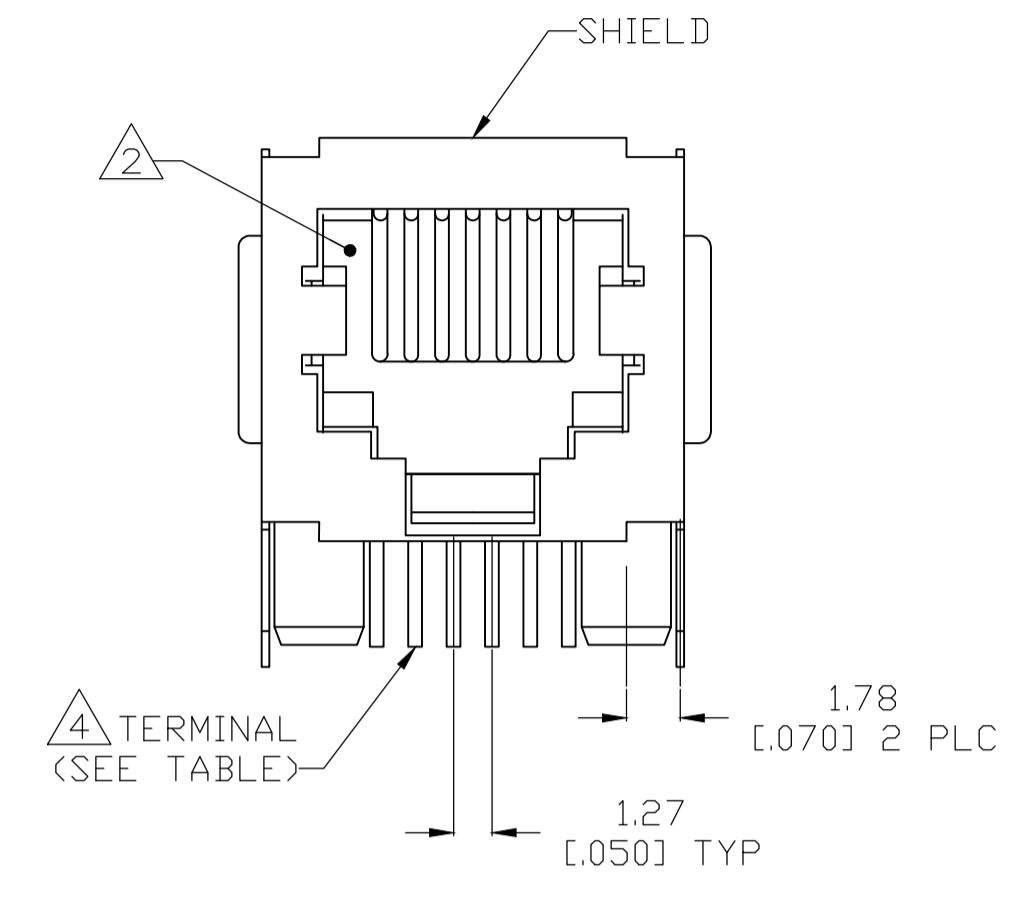
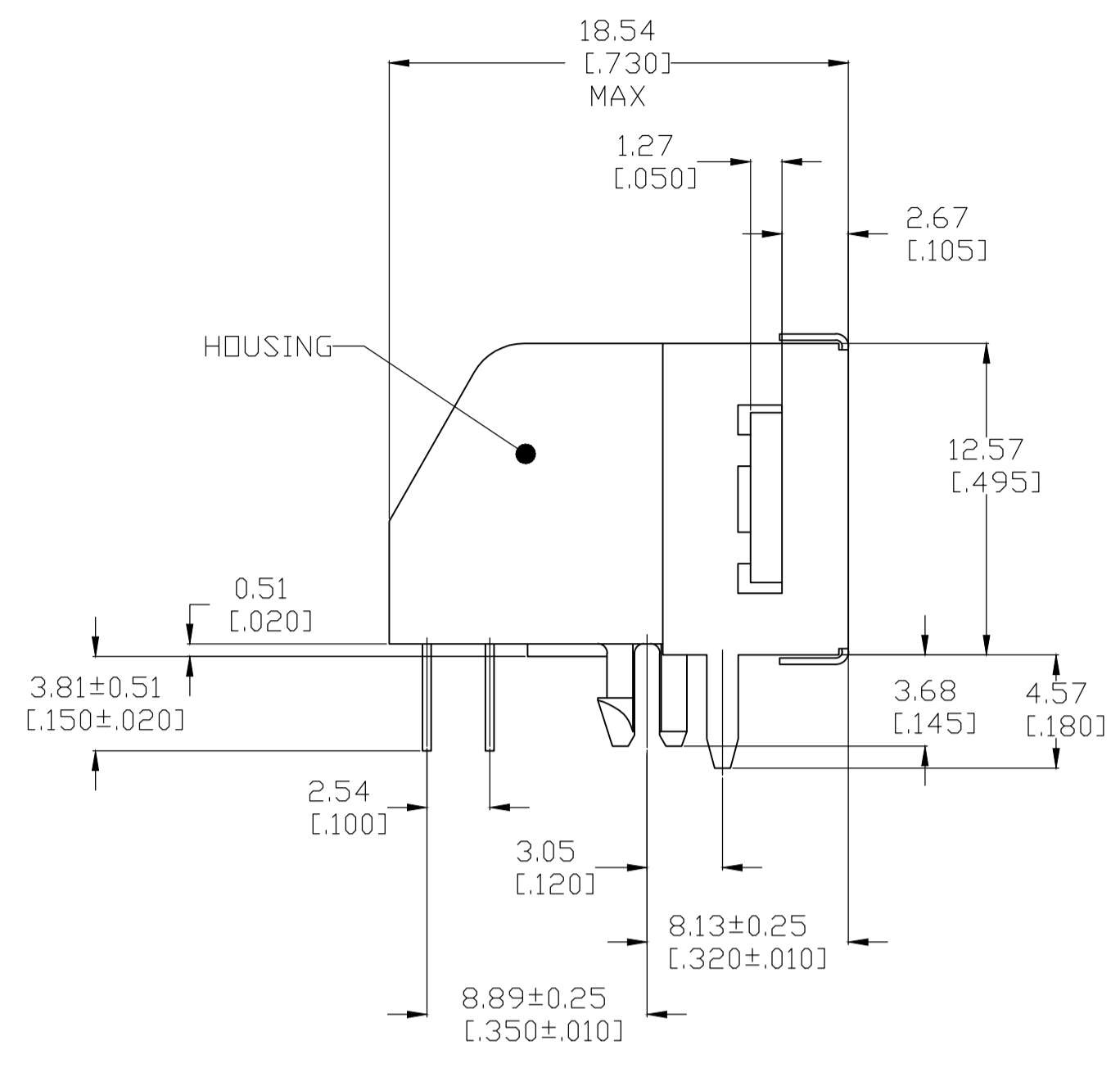
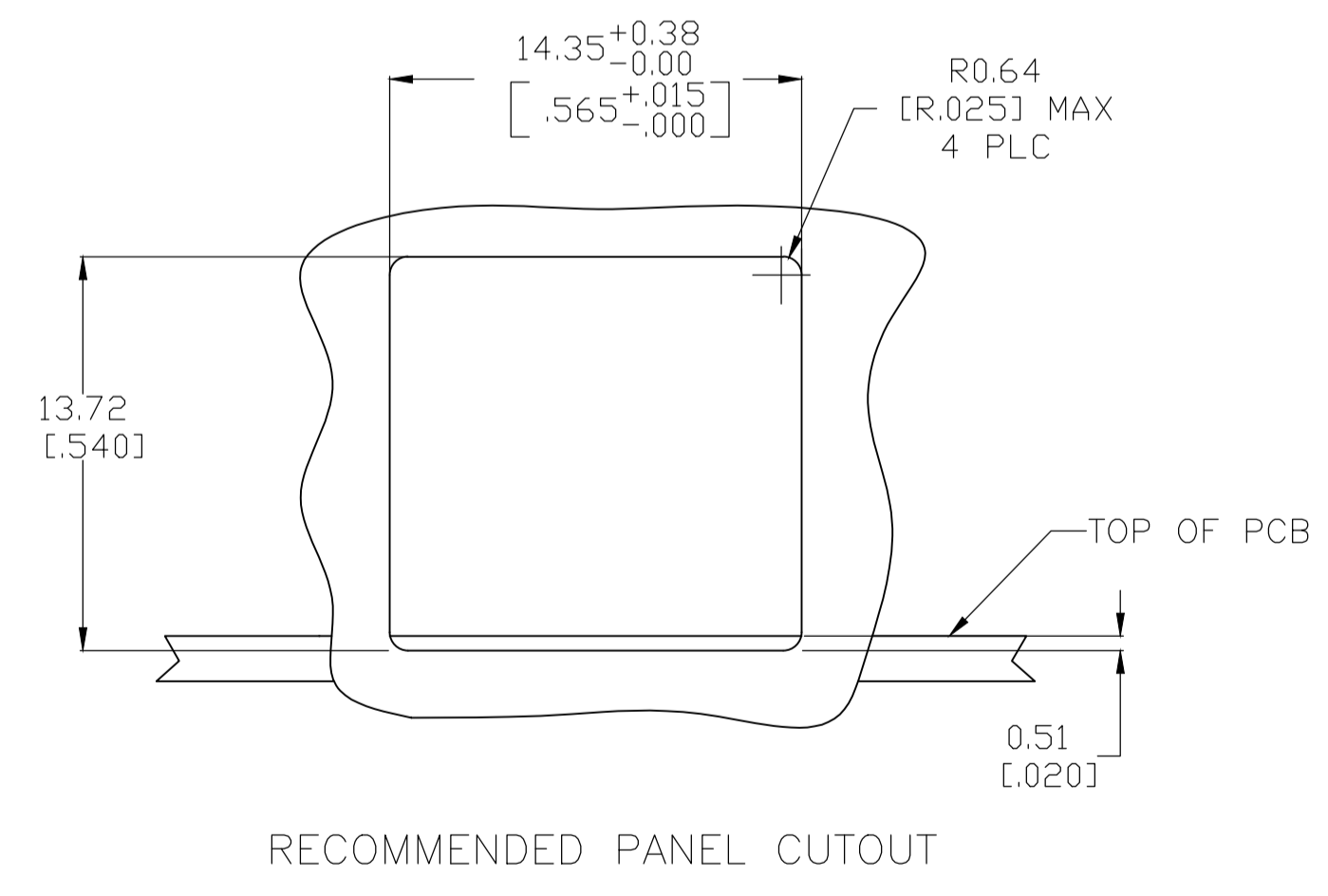
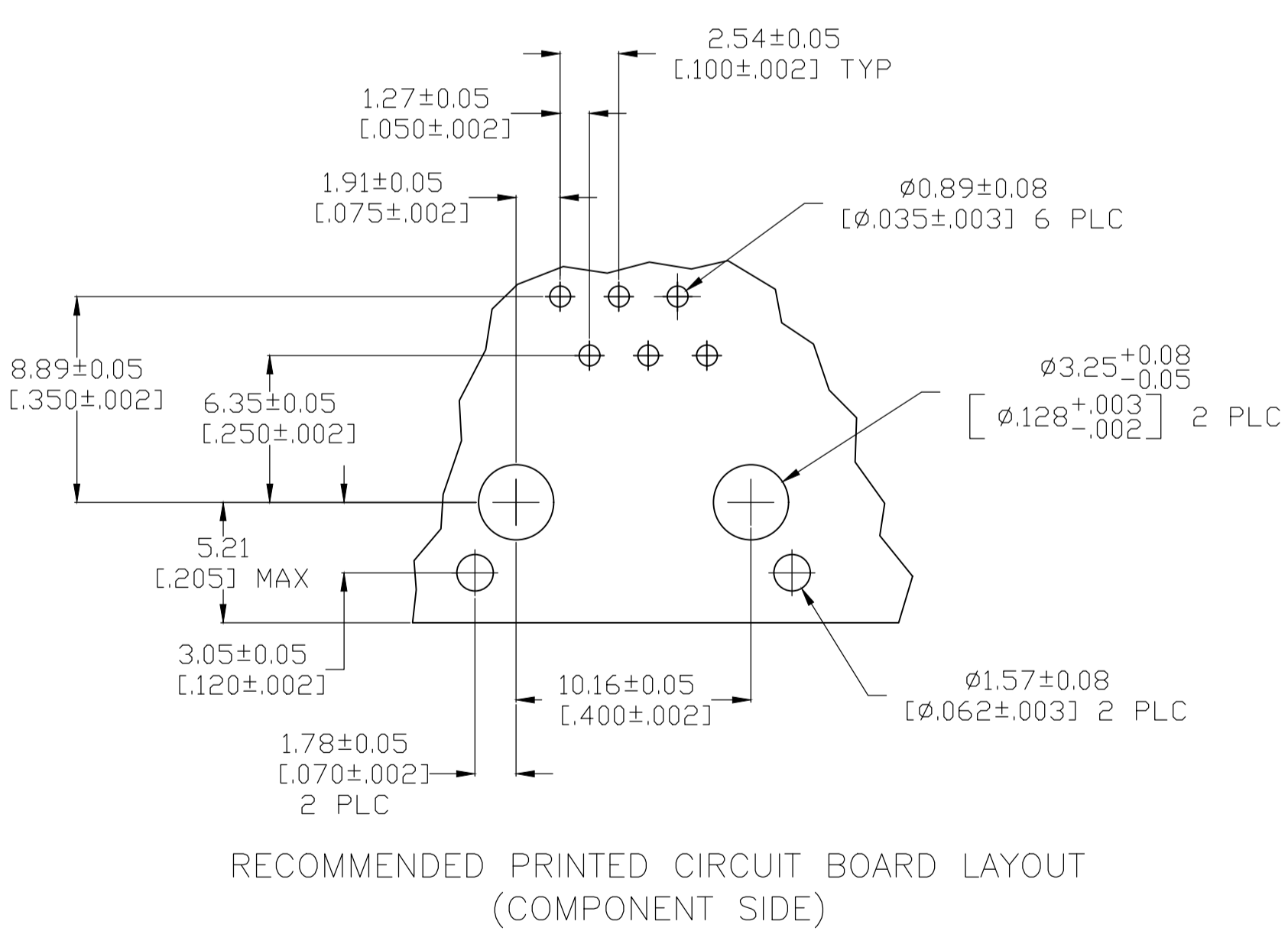
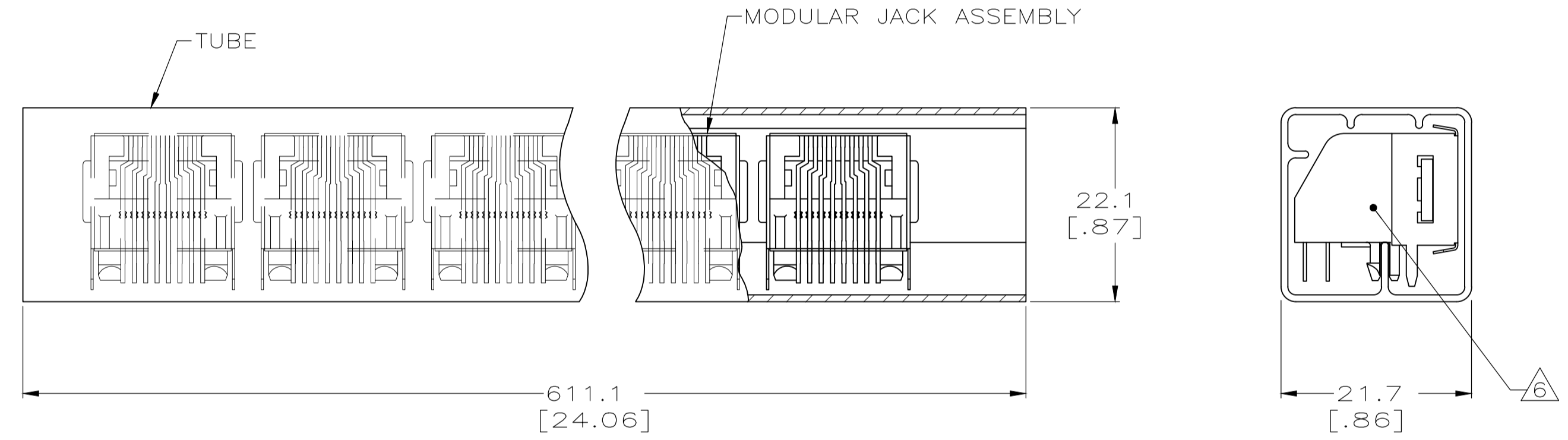
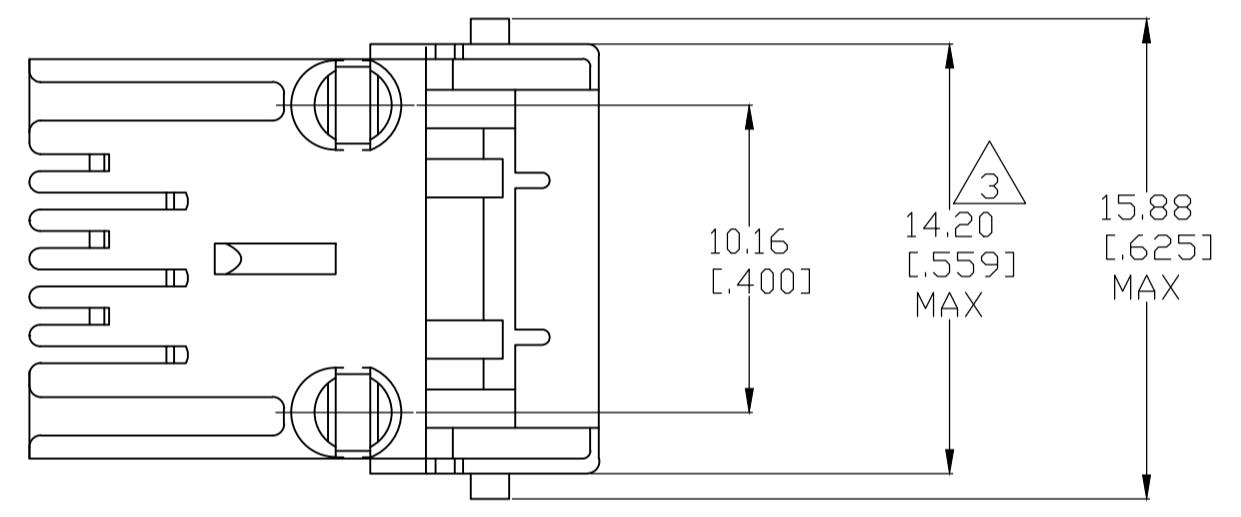


REVISIONS					
P	LTR	DESCRIPTION	DATE	DMN	APVD
C		REVISED PER ECR-19-010603	08JUL2019	IT	SH



- MATERIAL: HOUSING-PBT POLYESTER, COLOR: BLACK
 TERMINAL- 0.36[.014] THICK PHOS-BRONZE PLATED WITH 1.27µm[.000050] MINIMUM THICK HARD GOLD IN LOCALIZED GOLD PLATE AREA AND 3.81µm[.000150] MINIMUM THICK MATTE TIN IN SOLDER AREA OVER 1.27µm[.000050] MINIMUM THICK NICKEL UNDERPLATE
 SHIELD-0.25[.010] THICK COPPER ALLOY
 PLATED WITH 3.0µm[.000120] MINIMUM REFLOWED TIN
- △ CAVITY CONFORMS TO FCC RULES AND REGULATIONS PART 68, SUBPART F.
 - △ DIMENSION MEASURED ALONG FRONT EDGE OF MATING FACE
 - △ TERMINALS FOR 5555154-2 LOCATED IN CENTER POSITIONS.
 - △ BULK PACKAGED IN TRAYS.
 - △ PACKAGED 36 ASSEMBLIES PER TUBE. SEE DETAIL "A".
 - △ CUSTOMIZED PART NUMBER FOR TE INDUSTRIAL BU CUSTOMER, SHIELD DISCOLOR IS NOT PERMITTED.



PACKAGE	TERMINALS REQUIRED	PART NUMBER
△ 6	△ 5	5555154-5
△ 6	6	5555154-4
△ 5	4 △ 4	5555154-2
△ 5	6	5555154-1

THIS DRAWING IS A CONTROLLED DOCUMENT.

DIMENSIONS: mm [INCHES]	TOLERANCES UNLESS OTHERWISE SPECIFIED:	DIN G. ATTADIA - 08JUN2005	DOBCKS 08JUN2005	APVD J. WESTMAN 08JUN2005	NAME S. FLICKINGER 08JUN2005
0 PLC ± -	1 PLC ± -	108-1163	PRODUCT SPEC	114-2048	APPLICATION SPEC
2 PLC ± ± 0.13[0.005]	3 PLC ± ± -	114-2048	SIZE	000779	DRAWING NO
4 PLC ± ± -	ANGLES ± ± -	0.000000	WEIGHT	5555154	RESTRICTED TO
SEE NOTE 1	SEE NOTE 1	CUSTOMER DRAWING	SCALE 4:1	SHEET 1 of 1	REV C

STE TE Connectivity

MODULAR JACK ASSEMBLY, SHIELDED, 6 POS LOW PROFILE, RIGHT ANGLE, PRINTED CIRCUIT BOARD GROUND WITH PANEL STOPS