


SAC-12P- 5,0-PVC/FR SCO

Order No.: 1554924

<http://eshop.phoenixcontact.de/phoenix/treeViewClick.do?UID=1554924>

Sensor/Actuator cable, 12-position, PVC, Black RAL 9005, Free conductor end, on Socket, angled M12-SPEEDCON, A-coded, Cable length: 5 m

**Commercial data**

| | |
|--------------------------|--|
| GTIN (EAN) |  4 046356 176521 |
| sales group | D118 |
| Pack | 1 pcs. |
| Customs tariff | 85444290 |
| Catalog page information | Page 96 (PC-2009) |

Product notes

WEEE/RoHS-compliant since:
04/13/2007



<http://www.download.phoenixcontact.com>
Please note that the data given here has been taken from the online catalog. For comprehensive information and data, please refer to the user documentation. The General Terms and Conditions of Use apply to Internet downloads.

Technical data**General data**

| | |
|-----------------------|--------|
| Rated current at 40°C | 1.5 A |
| Rated voltage | 30 V |
| Number of positions | 12 |
| Volume resistance | ≤ 5 mΩ |

| | |
|--|--|
| Insulation resistance | ≥ 100 MΩ |
| Length of cable | 5 m |
| Stripping length of the free conductor end | 35 mm |
| Ambient temperature (operation) | -25 °C ... 90 °C (Male connector / female connector) |

General characteristics

| | |
|--------------------------|---|
| Standards/regulations | M12 connector IEC 61076-2-101 |
| Coding | A - standard |
| Surge voltage category | II |
| Pollution degree | 3 |
| Degree of protection | IP65/IP68/IP69K |
| Contact material | CuZn |
| Contact surface material | Ni/Au |
| Contact carrier material | TPU GF |
| Material of grip body | TPU, hardly inflammable, self-extinguishing |
| Material, knurls | Zinc die-cast, (nickel-plated) |
| Sealing material | NBR |
| Status display | No |

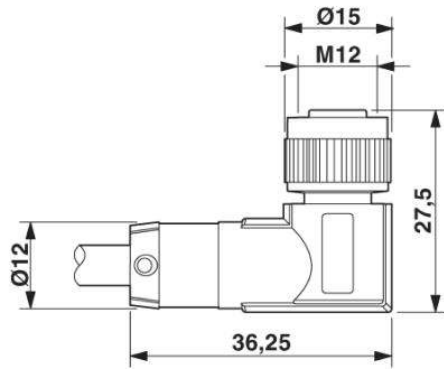
Conductor data

| | |
|---|--|
| Cable type | PVC black |
| Conductor cross section | 0.14 mm ² |
| AWG signal line | 26 |
| Conductor structure signal line | 18x 0.10 mm |
| External cable diameter | 5.90 mm |
| Wire colors | Color-coded DIN 47100 |
| External sheath, color | Black RAL 9005 |
| Conductor resistance | 142 Ω/m |
| Overall twist | Wires twisted in layers |
| Outer sheath, material | PVC |
| Material conductor insulation | PVC |
| Conductor material | Bare Cu litz wires |
| Smallest bending radius, movable installation | 88.5 mm |
| Ambient temperature (operation) | -25 °C ... 80 °C (cable, fixed installation) |
| | -5 °C ... 80 °C (cable, flexible installation) |

Diagrams/Drawings

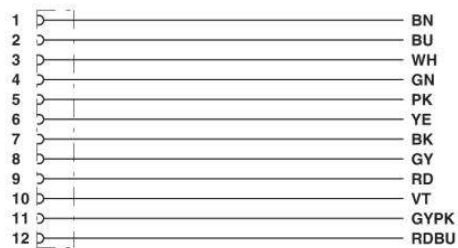
Dimensioned drawing

M12-SPEEDCON socket, angled



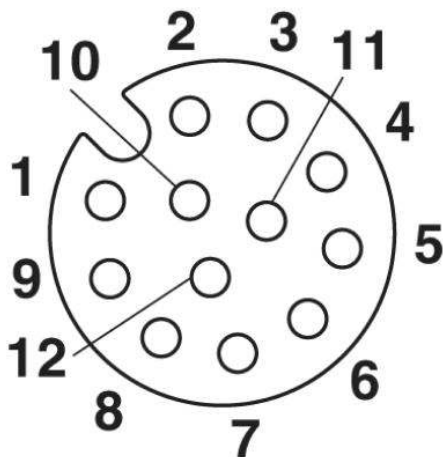
Circuit diagram

Contact assignment of the M12 socket



Schematic diagram

Pin assignment M12, 12-pos., female side view



Address

PHOENIX CONTACT Deutschland GmbH
Flachmarktstr. 8
32825 Blomberg, Germany
Phone +49 5235 3 12000
Fax +49 5235 3 41200
<http://www.phoenixcontact.de>



© 2011 Phoenix Contact
Technical modifications reserved;