

1

2

3

4

5

6

7

A

B

C

D

E

F

G

H

A

B

C

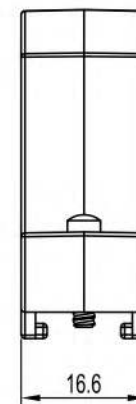
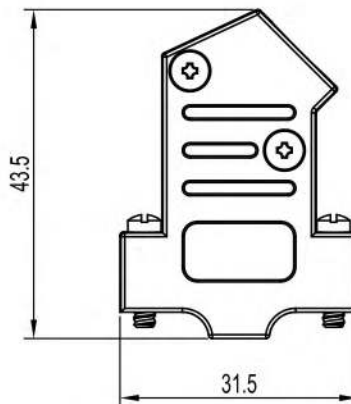
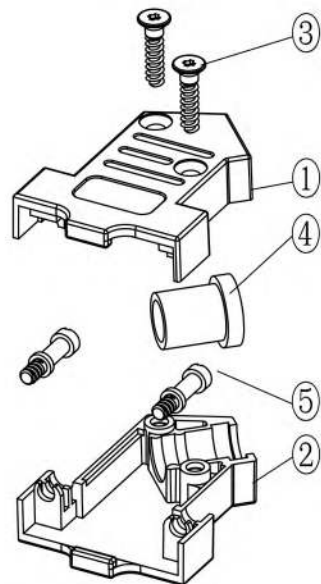
D

E

F

G

H

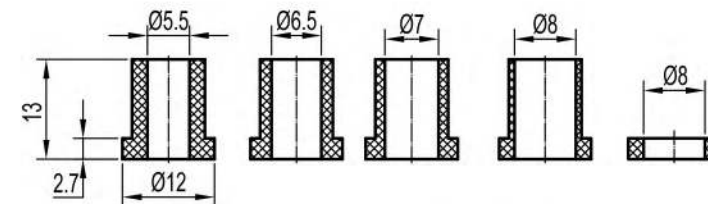
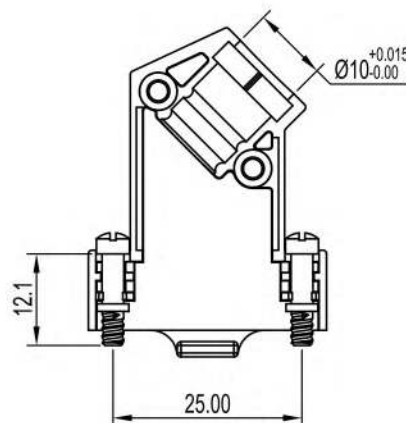


TECHNICAL SPECIFICATIONS

Material: ABS Plastic, UL94-HB
 Plating: Metalized (Nickel over Copper)
 Operating Temperature: -40°C to +120°C
 Thumbscrews: UNC4-40

No. of contacts: 09-15-25-37-50

Item	QTY	Part description
1	1	Upper Cover
2	1	Lower Cover
3	2	ST2.9x13 Self tapping Screw
4	1	Compression Insert
5	2	UNC 4-40x12.1 Jackscrew



Compression Inserts

RoHS compliant
 Unit: mm

Scale	Free				Date	Name	Customer-No.	
TOLERANCE					Drawn	17.08.2017	S.Bölling	
0~6	±0.10				Approved	17.08.2017	S.Bölling	
6~30	±0.20							
30~120	±0.30							
120~400	±0.50							
DIM	Tol							
Angle	±1°	Ⓢ	Drawn	17.08.2017				S.Bölling
Angle	Tol	Id.	Modification	Date				Name

Customer-No.

ASSMANN WSW-No.
ACOV-SUB-09MB2

Drawing-No.

ASS_5243_CO

Replace

rev00

Sheet 1/3

1

2

3

4

5

6

7

SV4382

1

2

3

4

5

6

7

A

B

C

D

E

F

G

H

A

B

C

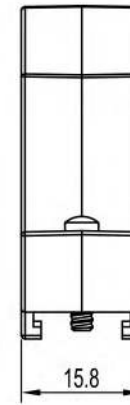
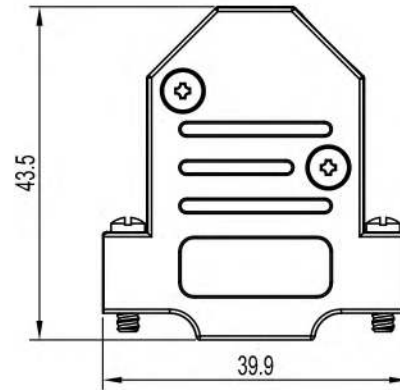
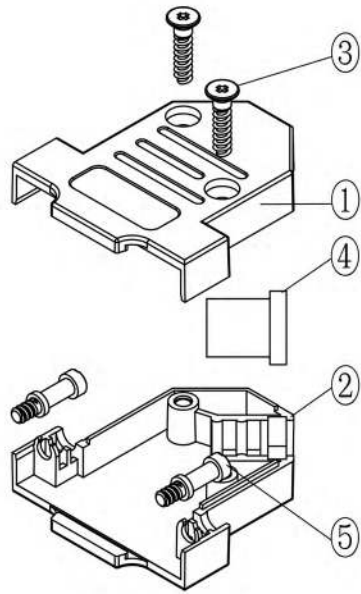
D

E

F

G

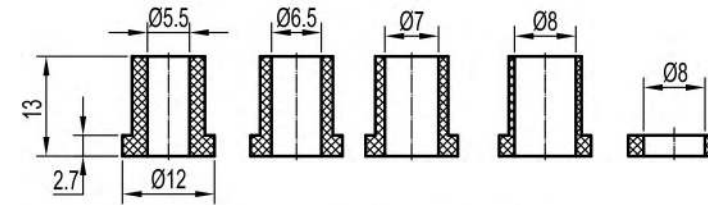
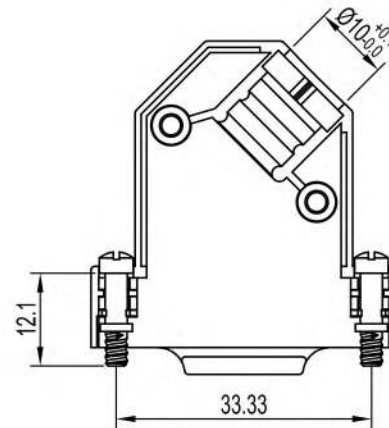
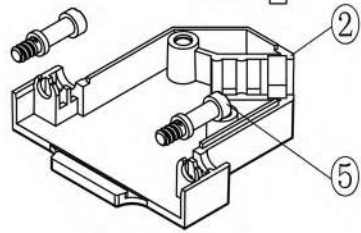
H



TECHNICAL SPECIFICATIONS

Material: ABS Plastic, UL94-HB
 Plating: Metalized (Nickel over Copper)
 Operating Temperature: -40°C to +120°C
 Thumbscrews: UNC4-40

No. of contacts: 09-15-25-37-50



Compression Inserts

Item	QTY	Part description
1	1	Upper Cover
2	1	Lower Cover
3	2	ST2.9x13 Self tapping Screw
4	1	Compression Insert
5	2	UNC 4-40x12.1 Jackscrew

RoHS compliant
 Unit: mm

Scale	Free								
TOLERANCE									
0~6	±0.10								
6~30	±0.20								
30~120	±0.30								
120~400	±0.50								
DIM	Tol								
Angle	±1°	Ⓢ	Drawn	17.08.2017	S.Bölling				
Angle	Tol	Id.	Modification	Date	Name				

ASSMANN
 WSW components

Date: 17.08.2017
 Name: S.Bölling
 Customer-No.
 ASSMANN WSW-No.
ACOV-SUB-15MB2

Drawing-No.
ASS_5243_CO
 rev00
 Replace
 Sheet 2/3

1

2

3

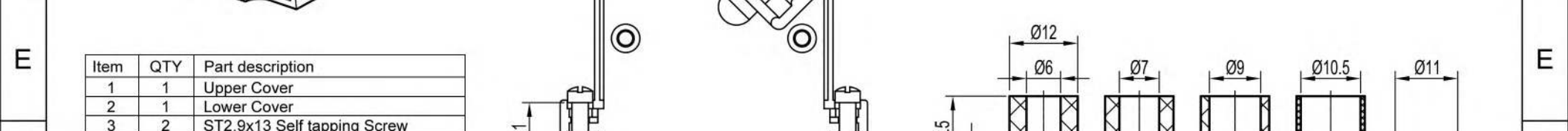
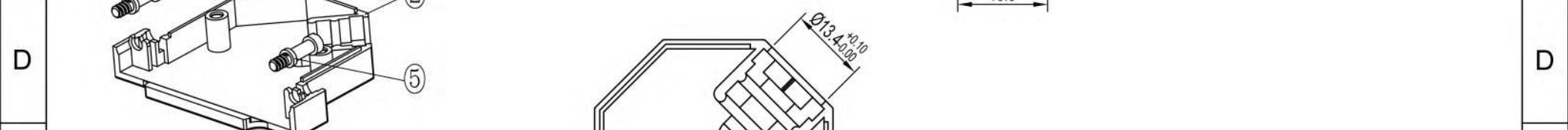
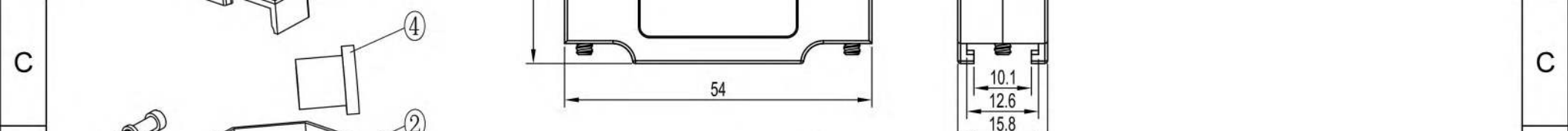
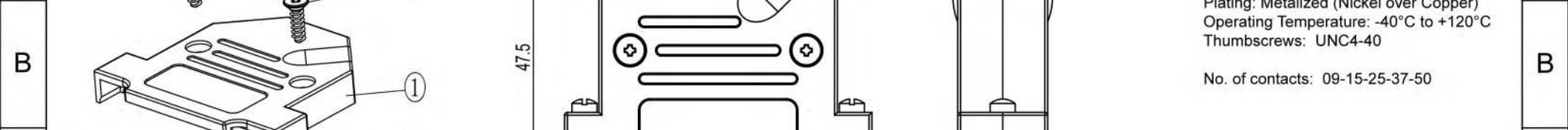
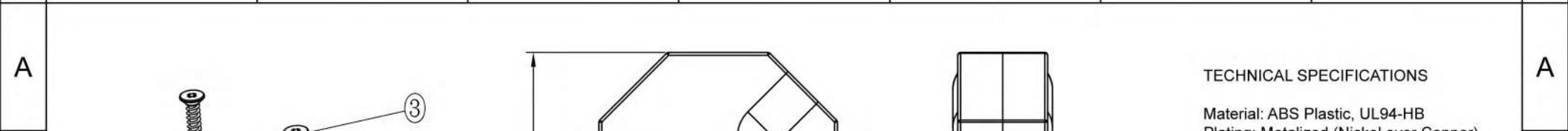
4

5

6

7

SV4382



Item **QTY** **Part description**

1	1	Upper Cover
2	1	Lower Cover
3	2	ST2.9x13 Self tapping Screw
4	1	Compression Insert
5	2	UNC 4-40x12.1 Jackscrew

Compression Inserts

TECHNICAL SPECIFICATIONS

Material: ABS Plastic, UL94-HB
 Plating: Metalized (Nickel over Copper)
 Operating Temperature: -40°C to +120°C
 Thumbscrews: UNC4-40

No. of contacts: 09-15-25-37-50

RoHS compliant
 Unit: mm

Scale	Free					Date	Name	Customer-No.
TOLERANCE						Drawn	17.08.2017	S.Bölling
0~6	±0.10					Approved	17.08.2017	S.Bölling
6~30	±0.20							
30~120	±0.30							
120~400	±0.50							
DIM	Tol							
Angle	±1°	Ⓢ	Drawn	17.08.2017	S.Bölling			
Angle	Tol	Id.	Modification	Date	Name			

ASSMANN WSW-No. ACOV-SUB-25MB2	
Drawing-No. ASS_5243_CO	rev00
Replace	Sheet 3/3