

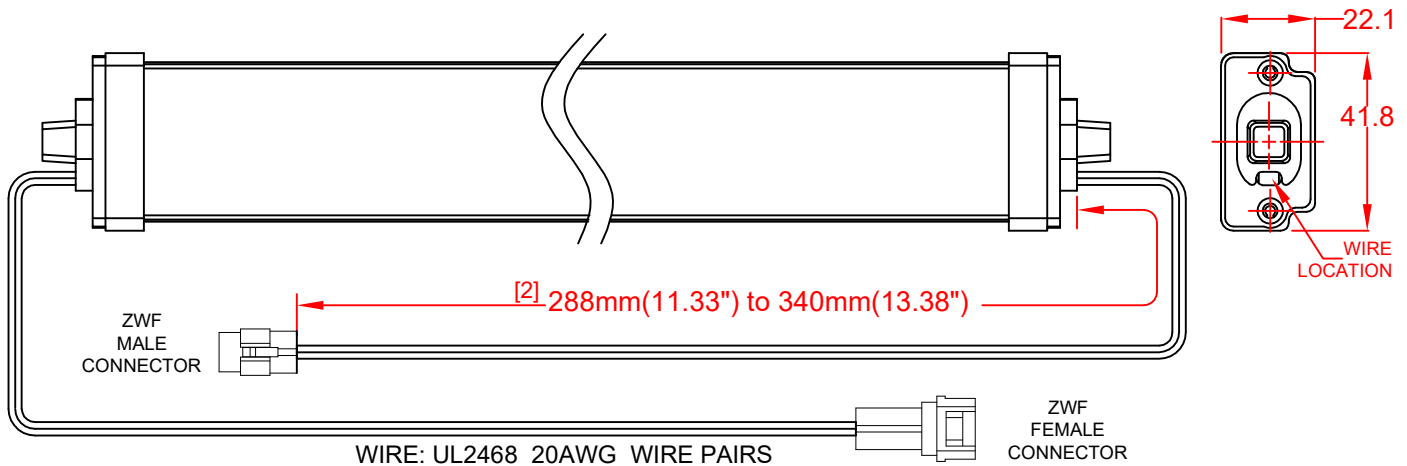
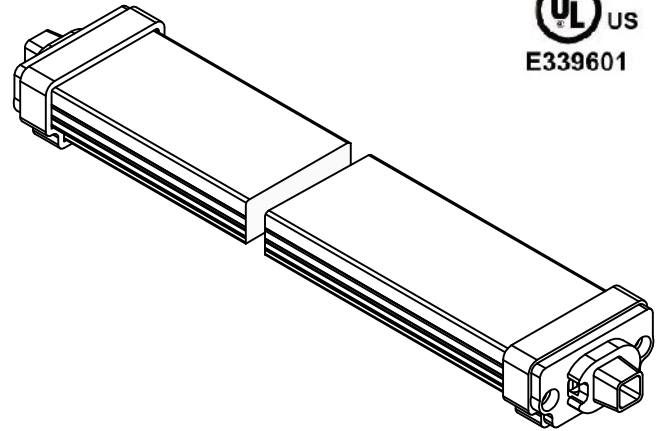
Features

Rugged design with straightforward installation.
 R17d Recessed Double Contact Base
 24V DC design permits safe and easy Class II wiring.
 Vertical or horizontal mounting.
 Green, energy-saving alternative.
 Optimized lens yields high brightness and uniformity.
 Beam angle 160°.
 UL Type C
 5 year warranty.

Maximum Ratings

Input Voltage: 24V DC ±10%
 Life Time: 50,000 HRS (L70)
 CCT 6500°K nominal
 CRI: Ra80 or greater
 IP Rating: IP67
 Operating Temperature Range -40°C to +50°C
 -40°F to +122°C

T12 LED RETRO-FIT



Electro-Optical Characteristics

JKL Part Number	Length (Inches)	Industry Standard	Power (W)	Current (A)	Lumen (lm)	Connection in Series (Max)
ZRF-24HO-CWA	21.91	2 Feet	6.4	0.268	740	12
ZRF-36HO-CWA	33.91	3 Feet	11.2	0.469	1295	8
ZRF-42HO-CWA	39.91	3.5 Feet	12.8	0.536	1480	7
ZRF-48HO-CWA	45.91	4 Feet	14.4	0.603	1665	6
ZRF-60HO-CWA	57.91	5 Feet	19.2	0.804	2220	5
ZRF-72HO-CWA	69.91	6 Feet	22.4	0.938	2590	4
ZRF-84HO-CWA	81.91	7 Feet	27.2	1.139	3145	3
ZRF-96HO-CWA	93.91	8 Feet	32.0	1.340	3700	3

Accessories

ZWF-1000-I Input Connector
 ZWF-CH-J Jumper Connector
 MeanWell LPVL-150-24 Power Supply
 (For 90 -132Vac input)
 MeanWell LPV-150-24 Power Supply
 (For 180 - 305Vac input)

METRIC			DIMENSIONS ARE IN mm (INCHES)		JKL COMPONENTS CORPORATION					
THIRD ANGLE PROJECTION			TOLERANCE UNLESS OTHERWISE SPECIFIED		TITLE T12 LED LAMP REPLACEMENT WITH CONNECTORS					
			1 PL +/- REF.		SIZE	FSCM NO.	DRAWING NO.			
			2 PL +/- REF.		A	55335	ZRF-CWA MULTI			
			ANGLE +/-		SCALE	RELEASED DATE	REVISION DATE	REV. NO.	SHEET	
B	CHNG LENGTH OF WIRE , INCOMING INSPECT.	1/26/18	DRAWN BY L. WENGSTROM		DATE 1/26/18	NONE	8/30/17	1/26/18	B	1 OF 1
A	CHANGE LENGTH OF WIRE	11/8/17	APPV'D BY							
	RELEASED	8/30/17	- CAD DRAWING -							
REV. NO.	DESCRIPTION/ECO NUMBER	APPV'D DATE	MANUAL REVISIONS NOT PERMITTED							