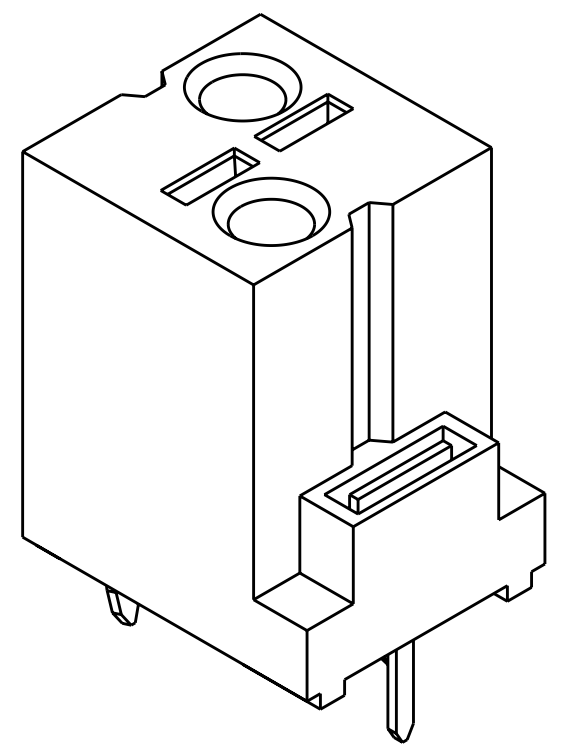
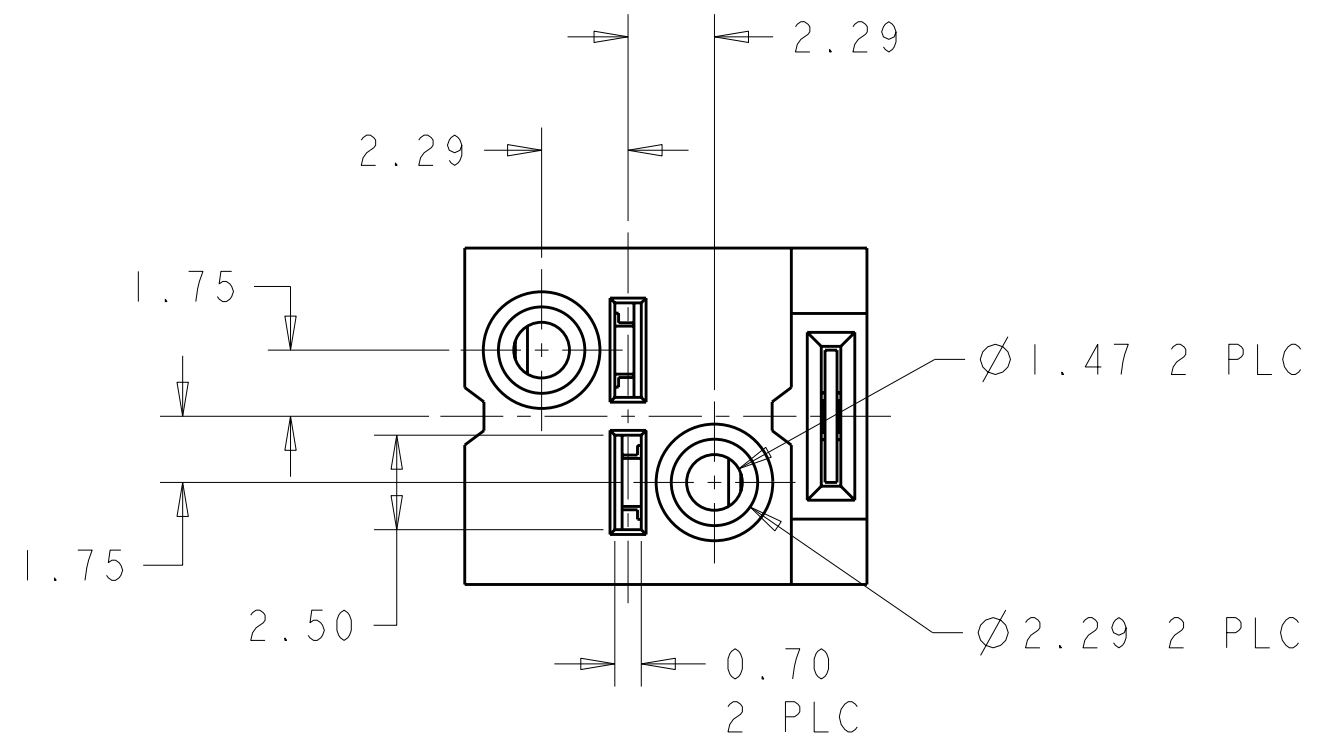
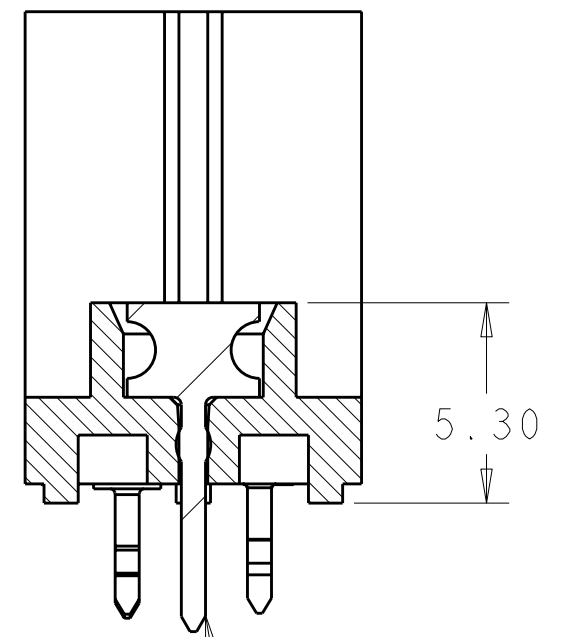
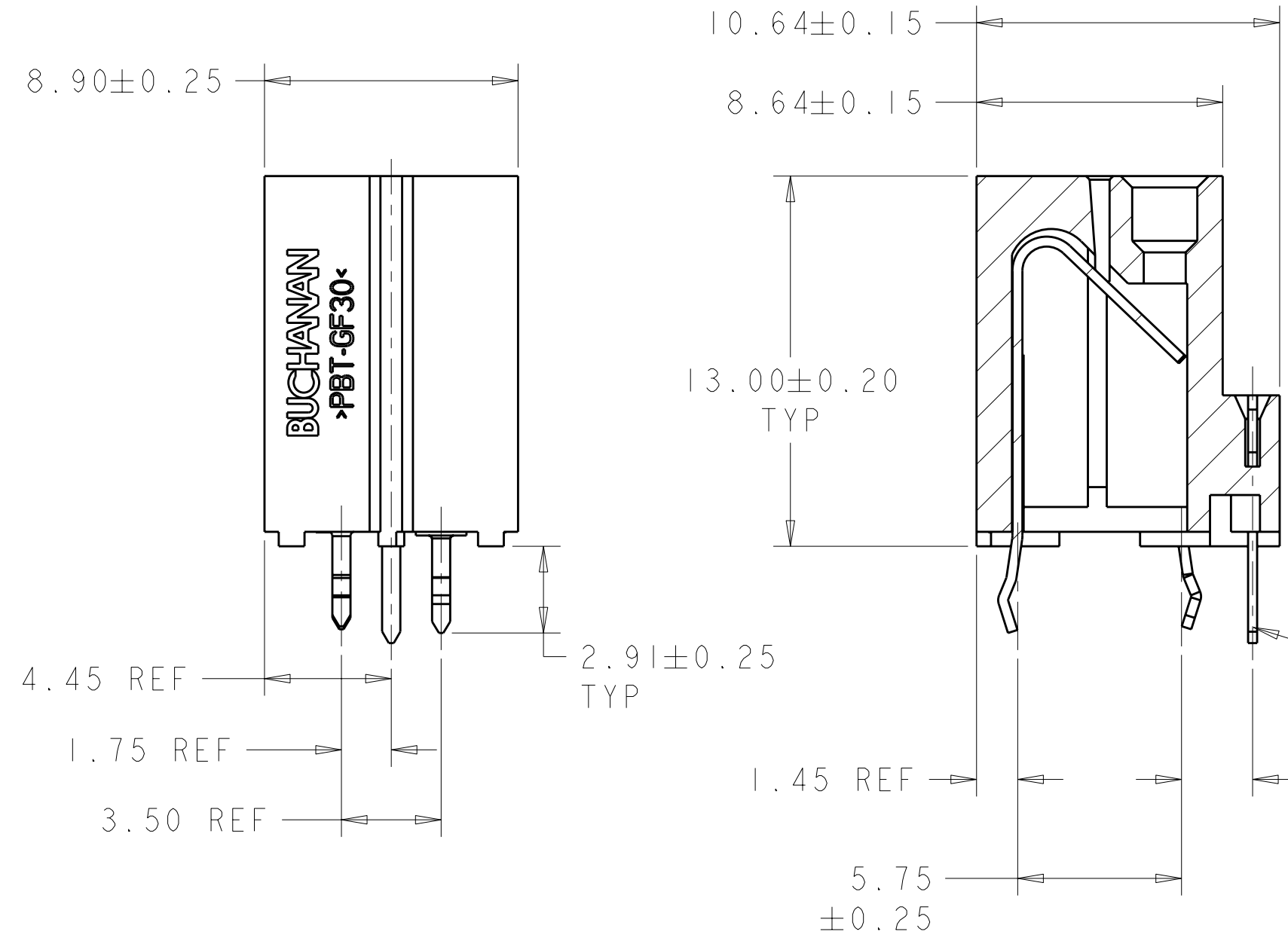


THIS DRAWING IS UNPUBLISHED. RELEASED FOR PUBLICATION 20  
 © COPYRIGHT 20 BY - ALL RIGHTS RESERVED.

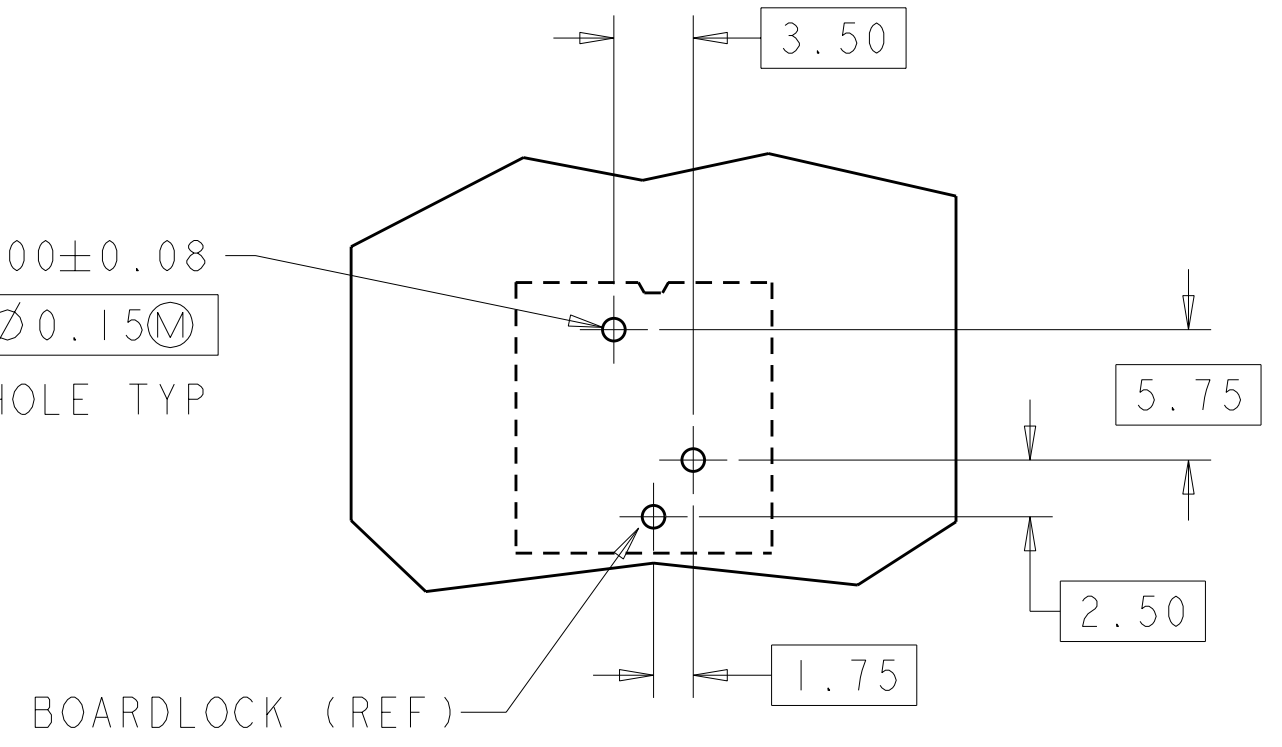
LOC	DIST	REVISIONS			
P	LTR	DESCRIPTION	DATE	DWN	APVD
FT	0				
	A4	REVISED PER ECR-10-013378	01JUL2010	HMR	DD
	A5	REVISED PER ECR-12-008903	16MAY2012	RS	DD



SCALE 5:1



Ø1.00±0.08  
 Ø0.15(M)  
 THRU HOLE TYP



SCALE 3:1  
 PCB LAYOUT  
 VIEWED FROM CONNECTOR MOUNTING SIDE

- 1 MATERIAL:  
 HOUSING: PTB, UL94-V0, COLOR BLACK.  
 CONTACTS: PHOSPHOR BRONZE.  
 BOARDLOCK: PHOSPHOR BRONZE.
- 2 PLATING:  
 CONTACTS & BOARDLOCKS: PRE TIN, 2.5µm MIN OVER 0.76µm MIN NICKEL  
 (CONTACT AND BOARDLOCK EDGES WILL BE UNPLATED)
- 3. WIRE SIZE: 16 TO 18AWG SOLID AND 18AWG  
 BONDED PER ASTM B470, TYPE I.  
 2.19mm MAX INSULATION DIAMETER.  
 STRIP LENGTH = 9.53±1.00.

TAPE AND REEL	1811957-3
TUBE	1811957-2
TRAY	1811957-1
PACKAGING	PART NO

THIS DRAWING IS A CONTROLLED DOCUMENT.		DWN	21APR2005	 TE Connectivity	NAME		
DIMENSIONS:	TOLERANCES UNLESS OTHERWISE SPECIFIED:	CHK	21APR2005		ASSEMBLY, WIRE CONNECTOR,		
mm	0 PLC ±-	APVD	13SEP2005		2 POSITION WITH BOARDLOCK,		
	1 PLC ±0.5	PRODUCT SPEC			SCREWLESS, VERTICAL		
	2 PLC ±0.13	APPLICATION SPEC	108-2059	SIZE	CAGE CODE	DRAWING NO	RESTRICTED TO
	3 PLC ±-	WEIGHT	114-13075	A2	00779	1811957	-
	4 PLC ±-	CUSTOMER DRAWING		SCALE	5:1	SHEET	1 OF 1
MATERIAL	ANGLES ±-			REV	A5		
	FINISH						