



**ANATECH ELECTRONICS INC**  
RF & Microwave Filters & Products

# 174 MHz High Power LC Low Pass Filter

**Part Number: AE174L9206-SMAF**



## Electrical Specifications

**Cutoff Frequency:** 174 MHz  
**Insertion Loss:** 1.0 dB Max @ DC-174 MHz  
**Return Loss:** 15 dB Min  
**Stopband:** 60 dB at 252 MHz  
**Ultimate Rejection:** 60 dB Min @ 252-2000 MHz  
**Power Handling:** 60 W

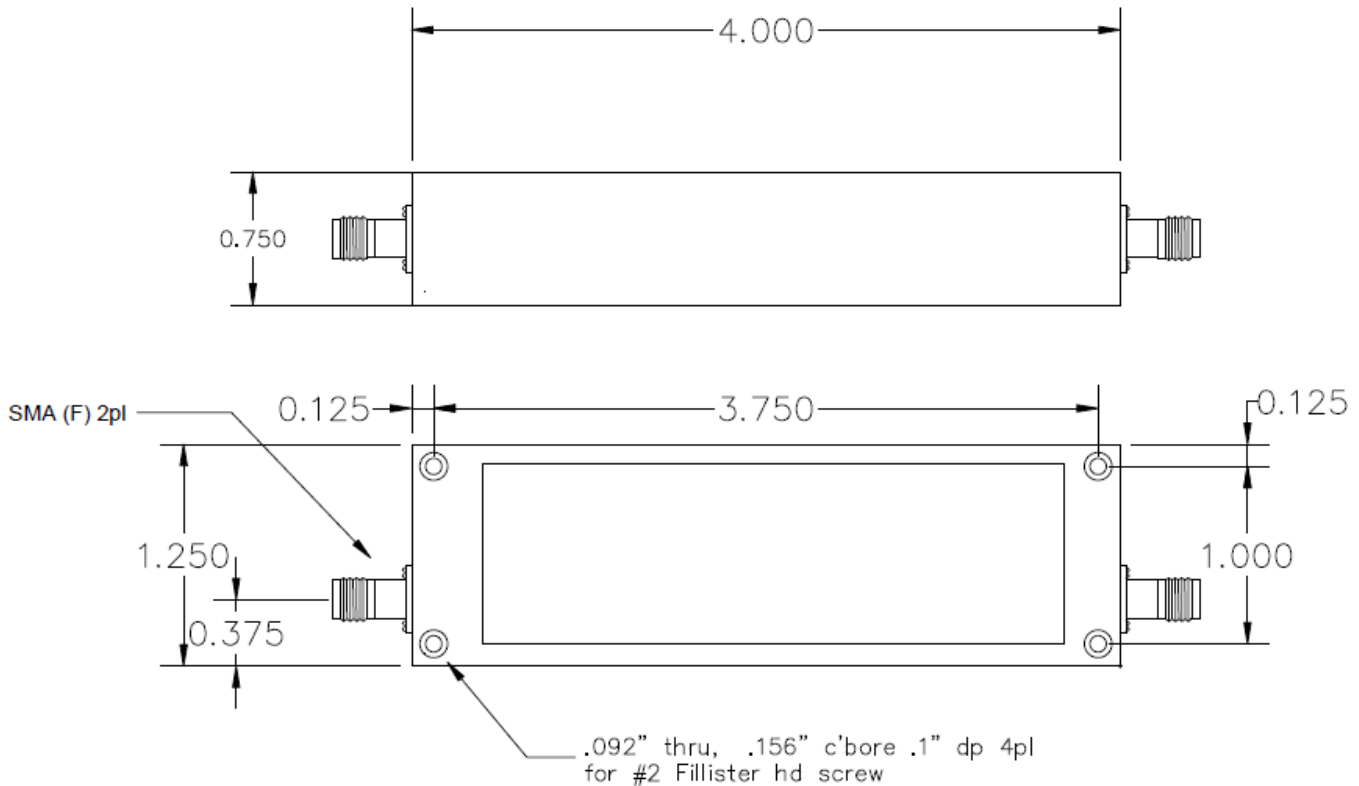
## Mechanical

**Mounting Method:** Through Holes  
**Connector Type:** SMA(F)  
**Dimensions:** 4.0 x 1.25 x 0.75 Inches

## Environmental

**Operating Temperature:** -40 to +85° C  
**Storage Temperature:** -50 to +95° C  
**Shock:** 20 G. 11 ms  
**Vibration:** 20 G. 5 to 200 Hz

## Outline Drawing:



2 decimal places: +/-0.01 inches [+/- 0.3mm]  
 3 decimal places: +/- 0.005 inches [+/- 0.13mm]  
 Angles: +/- 1 Deg.

When max dimensions are called out the above tolerances do not apply as long as it is under the max call out.