

PSD-S 50 OE LED GN - Optical element

1018264

<https://www.phoenixcontact.com/us/products/1018264>

Please be informed that the data shown in this PDF document is generated from our online catalog. Please find the complete data in the user documentation. Our general terms of use for downloads are valid.

Permanent light element, 16 V DC ... 26 V DC, green, LED



Product description

This optical signal element is designed to be part of a modular signal tower. According to your requirements, a signal tower can be combined as desired, from a maximum of five signal elements. Only use an audible signal element as the top element. A bayonet locking system establishes the mechanical and electrical connection between the elements. Connection elements with spring-cage connection can be used for electrical connection of the signal tower. Various accessories are available to assemble the signal tower.

Your advantages

- Tool-free element changeover
- Can be freely combined
- High light and color intensity
- Minimum LED service life of 50,000 h
- Low power consumption
- Degree of protection IP65

Commercial data

| | |
|--------------------------------------|---------------|
| Item number | 1018264 |
| Packing unit | 1 pc |
| Minimum order quantity | 1 pc |
| Sales key | DR07 |
| Product key | DRL112 |
| GTIN | 4055626502281 |
| Weight per piece (including packing) | 47.6 g |
| Weight per piece (excluding packing) | 47.6 g |
| Customs tariff number | 85318070 |
| Country of origin | AT |

PSD-S 50 OE LED GN - Optical element



1018264

<https://www.phoenixcontact.com/us/products/1018264>

Technical data

Product properties

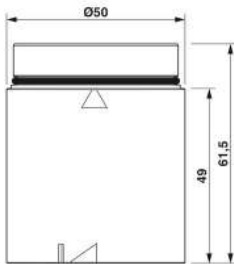
| | |
|---------------------|-----------------|
| Product type | Optical element |
| Base | B15d (bayonet) |
| Area of application | Signal tower |

Electrical properties

General

| | |
|-----------------------------|---------------------|
| Input voltage | 24 V DC |
| Nominal input voltage range | 16 V DC ... 26 V DC |
| Maximum inrush current | max. 500 mA |
| Current consumption | max. 35 mA |
| Source of light type | LED |
| Optical signal type | Permanent light |

Dimensions

| | |
|---------------------|--|
| Dimensional drawing |  |
| Diameter | 50 mm |

Material specifications

| | |
|---------------|------------------|
| Calotte color | green |
| Material | Polycarbonate PC |

Environmental and real-life conditions

Ambient conditions

| | |
|---------------------------------|------------------------------------|
| Degree of protection | IP65, when installed or with cover |
| Ambient temperature (operation) | -30 °C ... 60 °C |

EMC data

| | |
|-------------------------------|---|
| Electromagnetic compatibility | Conformance with EMC Directive 2014/30/EU |
|-------------------------------|---|

Mounting

| | |
|-----------------------|--|
| Mounting type | Plug-in mounting |
| Assembly instructions | Rubber seal pre-installed for each element |
| Mounting position | vertical or horizontal |

PSD-S 50 OE LED GN - Optical element

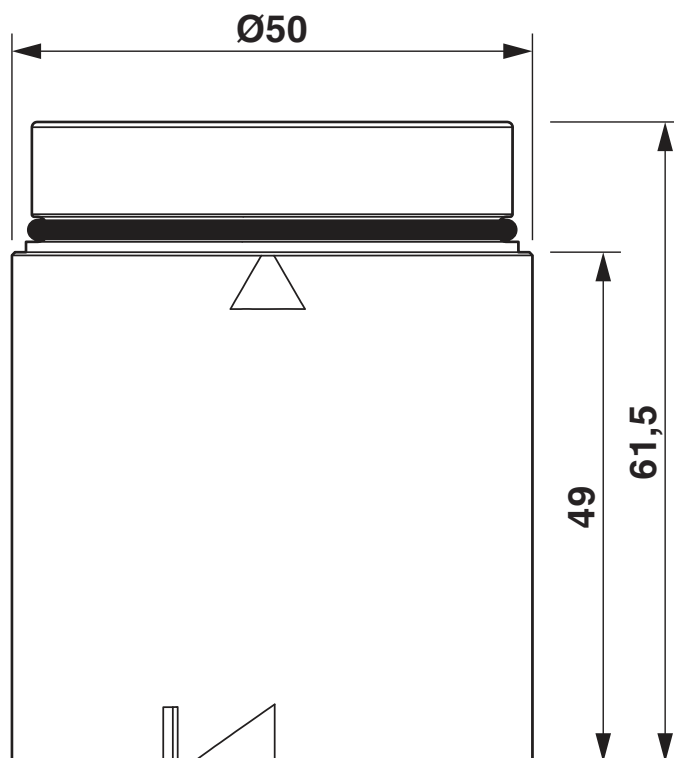
1018264

<https://www.phoenixcontact.com/us/products/1018264>



Drawings

Dimensional drawing



PSD-S 50 OE LED GN - Optical element



1018264

<https://www.phoenixcontact.com/us/products/1018264>

Approvals

To download certificates, visit the product detail page: <https://www.phoenixcontact.com/us/products/1018264>



UL Listed

Approval ID: FILE E 140324



cUL Listed

Approval ID: FILE E 140324

cULus Listed

PSD-S 50 OE LED GN - Optical element



1018264

<https://www.phoenixcontact.com/us/products/1018264>

Classifications

ECLASS

| | |
|-------------|----------|
| ECLASS-11.0 | 27371220 |
| ECLASS-12.0 | 27371220 |
| ECLASS-13.0 | 27371220 |

ETIM

| | |
|----------|----------|
| ETIM 8.0 | EC000232 |
|----------|----------|

UNSPSC

| | |
|-------------|----------|
| UNSPSC 21.0 | 46171600 |
|-------------|----------|

PSD-S 50 OE LED GN - Optical element



1018264

<https://www.phoenixcontact.com/us/products/1018264>

Environmental product compliance

| | |
|------------|---|
| China RoHS | Environmentally friendly use period: unlimited = EFUP-e |
| | No hazardous substances above threshold values |

PSD-S 50 OE LED GN - Optical element

1018264

<https://www.phoenixcontact.com/us/products/1018264>



Accessories

PSD-S 50 CE - Connection element

1018740

<https://www.phoenixcontact.com/us/products/1018740>

Base for horizontal and third-party tube assembly



PSD-S 50 CE-M12-5P - Connection element

1018853

<https://www.phoenixcontact.com/us/products/1018853>

Base with integrated M12 male (5 pins)



PSD-S 50 OE LED GN - Optical element

1018264

<https://www.phoenixcontact.com/us/products/1018264>



PSD-S 50 CE A-NPT 1/2 - Connection element

1018850

<https://www.phoenixcontact.com/us/products/1018850>

Base for NPT 1/2 conduit assembly



PSD-S 50 CE BR-SM/HCR - Connection element

1018742

<https://www.phoenixcontact.com/us/products/1018742>

Base for vertical assembly



PSD-S 50 OE LED GN - Optical element

1018264

<https://www.phoenixcontact.com/us/products/1018264>



PSD-S 50 CE BT 100 - Connection element

1018760

<https://www.phoenixcontact.com/us/products/1018760>

Tube base on 100 mm plastic tube with integrated foot



PSD-S 50 CE BT 250-M - Connection element

1018801

<https://www.phoenixcontact.com/us/products/1018801>

Tube base on 250 mm aluminum tube with plastic foot



PSD-S 50 OE LED GN - Optical element

1018264

<https://www.phoenixcontact.com/us/products/1018264>



PSD-S 50 CE BT 400-M - Connection element

1018845

<https://www.phoenixcontact.com/us/products/1018845>

Tube base on 400 mm aluminum tube with plastic foot



Phoenix Contact 2023 © - all rights reserved

<https://www.phoenixcontact.com>

Phoenix Contact USA
586 Fulling Mill Road
Middletown, PA 17057, United States
(+717) 944-1300
info@phoenixcon.com