

F

E

D

C

B

A

F

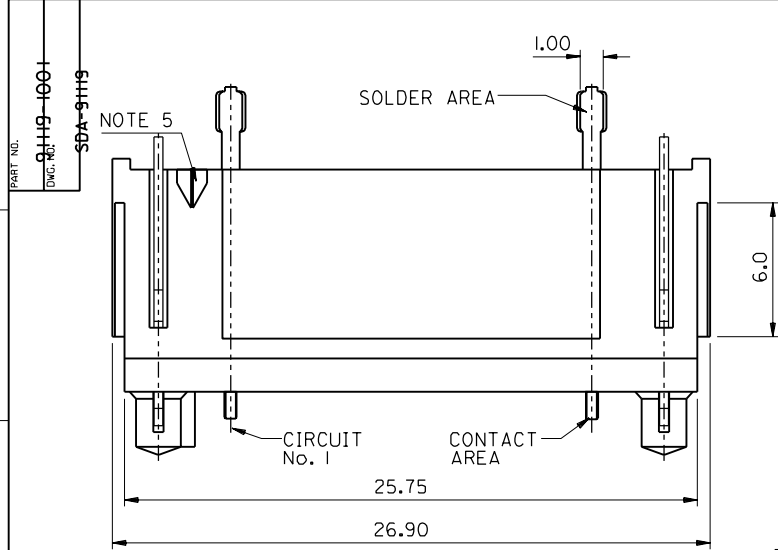
E

D

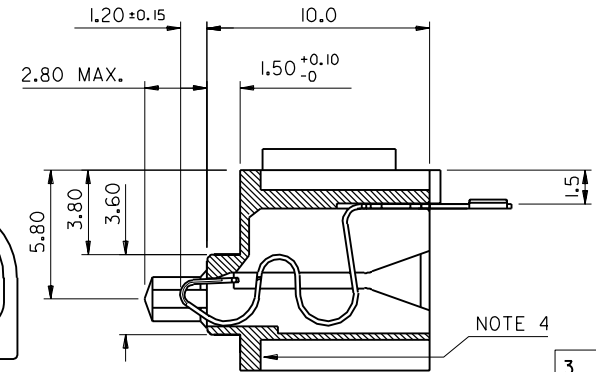
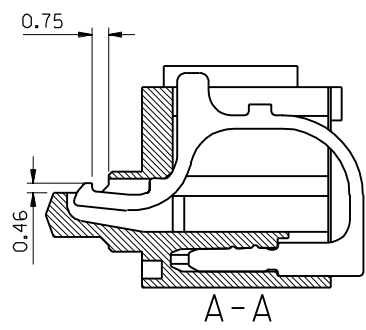
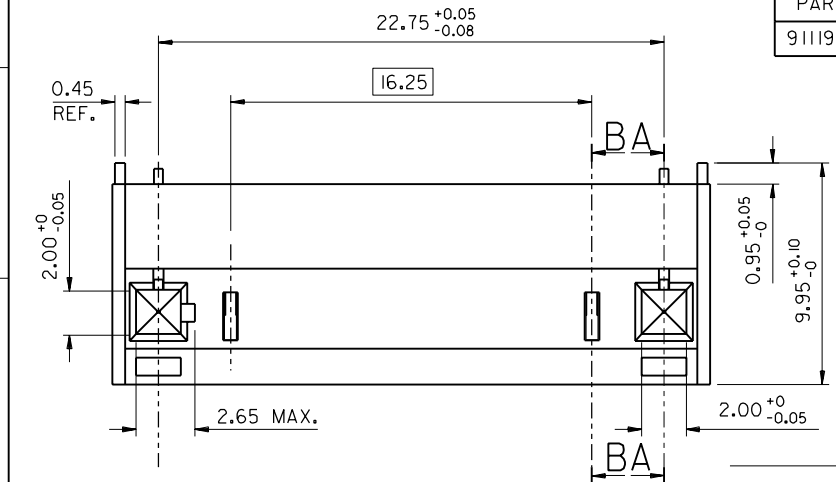
C

B

A



PART No.	LOADED CIRCUITS
91119-1001	1 & 14



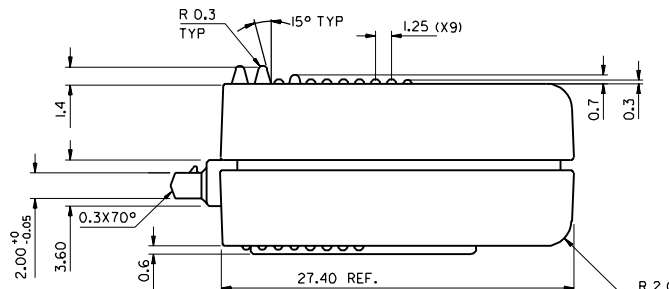
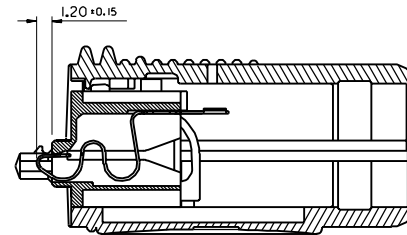
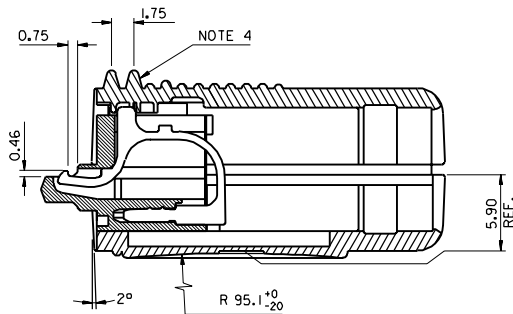
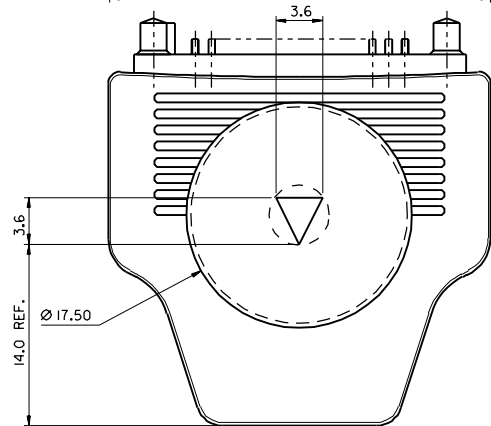
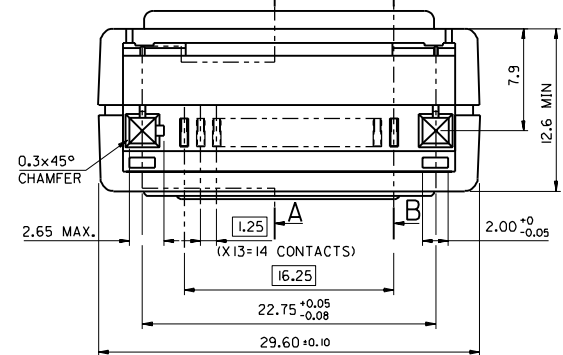
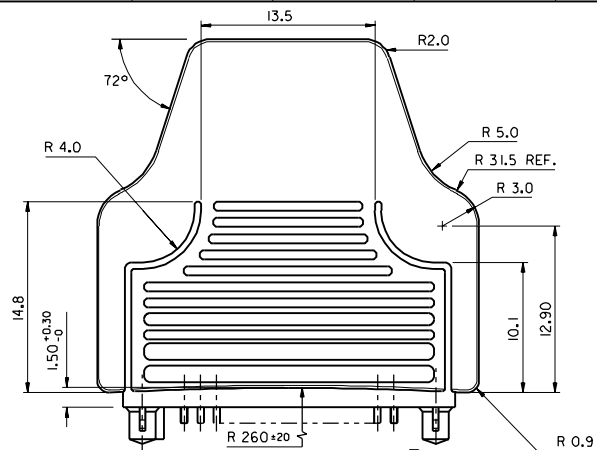
3	A10
2	A10
1	A10
SH.	REV.

- NOTES:
- MATERIALS: HOUSING: NYLON 4/6 (PA 4/6), 45% GLASS FILL, UL94V-0  
COLOUR:BLACK.  
TERMINALS: 0.20 REF. THK. PHOSPHOR BRONZE  
LATCHES: 0.40 REF. THK. STAINLESS STEEL  
PLATING: NICKEL 1.27um MIN.UNDERCOAT OVERALL  
0.10um MIN.GOLD FLASH ON 1.0um MIN.  
PALLADIUM-NICKEL (80/20) IN CONTACT AREA.  
3-5um MIN. TIN-LEAD (90/10) IN SOLDER TAIL AREA.
  - PACKAGING: TRAY PER 99025-0029.
  - SEE PRODUCT SPECIFICATION PS-99020-0054.
  - PART No., 'MXI' AND CAVITY I.D. TO BE 0.1mm MAX. ABOVE THIS SURFACE.
  - SOLDER I.D. RIB RAISED 0.20mm ABOVE FLOOR OF WELL.  
WELL TO BE 0.2mm MAX. DEEP.
  - FORCE AT 0.30mm DEFLECTION = 0.35N (MIN.).  
FORCE AT 0.80mm DEFLECTION = 1.0N (MAX.).

FOR PREVIOUS DRAWING ISSUES SEE MRI.	VARIOUS MODS. ECN E80116 '97/10/30 J O' C	DIMENSIONS SHOWN ( METRIC ) INCH UNLESS OTHERWISE SPECIFIED TOLERANCES: ANGULAR ± 1/2°	DRWG BY <b>JJO</b>
	A10	INCH ( METRIC )	CHK'D BY
		3 PLACE ± .	APP'D BY
	LTR	REVISIONS	DESIGN DIMENSION ( PRIMARY ) <input checked="" type="checkbox"/> (MM)
2 PLACE ± .		DRAFT WHERE APPLICABLE MUST REMAIN WITHIN DIMENSIONS	<b>5:1</b>
		EQUIVALENT DIMENSION ( SECONDARY ) <input type="checkbox"/> (MM)	

REVISE ONLY ON CAD SYSTEM		CAD/CAM FILENAME S91119X1.DGN	THIS DRAWING CONTAINS INFORMATION THAT IS PROPRIETARY TO MOLEX INC. & SHOULD NOT BE USED WITHOUT WRITTEN PERMISSION	
TITLE <b>MOBILE PHONE CONTACT UNIT FOR WIRE</b>				
<b>MOLEX EUROPE</b>		SHEET NO. DATE <b>10F3 96/01/23</b>		
PART NO. <b>91119-1001</b>	DWG NO. <b>SDA-91119</b>	SIZE <b>B</b>		

PART NO. SEE CHART  
DWG. NO. SDA-91119



NOTES:

- MATERIALS: SHELLS: PC/ABS, UL94 V-0  
COLOUR: BLACK.  
CONTACT UNIT HOUSING: NYLON 4/6 (P/A 4/6),  
45% GLASS FILL, UL94V-0, COLOUR: BLACK.  
TERMINALS: 0.20 REF. THK. PHOSPHOR BRONZE  
LATCHES: 0.40 REF. THK. STAINLESS STEEL  
PLATING: NICKEL 1.27µm MIN. UNDERCOAT OVERALL  
0.10µm MIN. GOLD FLASH ON 1.0µm MIN.  
PALLADIUM-NICKEL (80/20) IN CONTACT AREA.  
3-5µm MIN. TIN-LEAD (90/10) IN SOLDER TAIL AREA.
- PACKAGING: CONTACT UNIT ASSEMBLIES IN TRAY 99025-0029, SHELLS IN BAGS.
- SEE PRODUCT SPECIFICATION PS-99020-0054.
- FLEXIBLE BUTTON ACTIVATES LATCHES.
- FORCE AT 0.30mm DEFLECTION = 0.35N (MIN.).  
FORCE AT 0.80mm DEFLECTION = 1.0N (MAX.).
- FOR ILLUSTRATION PURPOSES KIT No. 91119-2001 IS SHOWN.

PART NO. PLUG KIT (INCLUDES SHELLS)	LOADED CIRCUITS	POWERED CIRCUITS	CONTACT UNIT ASSEMBLY USED IN KIT
91119-2001	1 & 14	1 & 14	91119-1001
91119-2002	1 THROUGH 14	1 THROUGH 14	91119-0004
91119-2003	1 THROUGH 14	1, 3, 5, 6, 8, 10, 12	91119-0002
91119-2004	1 THROUGH 14	1, 4, 11, 12, 14	91119-0003

FOR PREVIOUS DRAWING ISSUES SEE MRL.

A10 SEE SHEET 1.

DIMENSIONS SHOWN (METRIC) INCH		DRWG BY JJO
UNLESS OTHERWISE SPECIFIED TOLERANCES ARE AS FOLLOWS	INCH (METRIC)	
3 PLACE #	± 0.05	SCALE 4:1
2 PLACE #	± 0.10	
1 PLACE #	± 0.10	
DIMENSIONS IN PARENTHESES ARE FOR INFORMATION ONLY AND MUST REMAIN WITHIN DIMENSIONS		
DESIGN DIMENSION (PRIMARY)	<input type="checkbox"/> IN. <input type="checkbox"/> MM	
EQUIVALENT DIMENSION (SECONDARY)	<input type="checkbox"/> DIM. <input type="checkbox"/> IN.	

REVISE ONLY ON CAD SYSTEM		SHL	REV.
CAD FILE NAME S91119Z	THIS DRAWING CONTAINS INFORMATION THAT IS PROPRIETARY TO MOLEX INC. & SHOULD NOT BE USED WITHOUT WRITTEN PERMISSION		
TITLE	MOBILE PHONE PLUG CONNECTOR		
MOLEX EUROPE	SHEET NO. DATE	20F 96/02/13	
PART NO. SEE CHART	DWG. NO.	SDA-91119	
	SCALE	SIZE C	