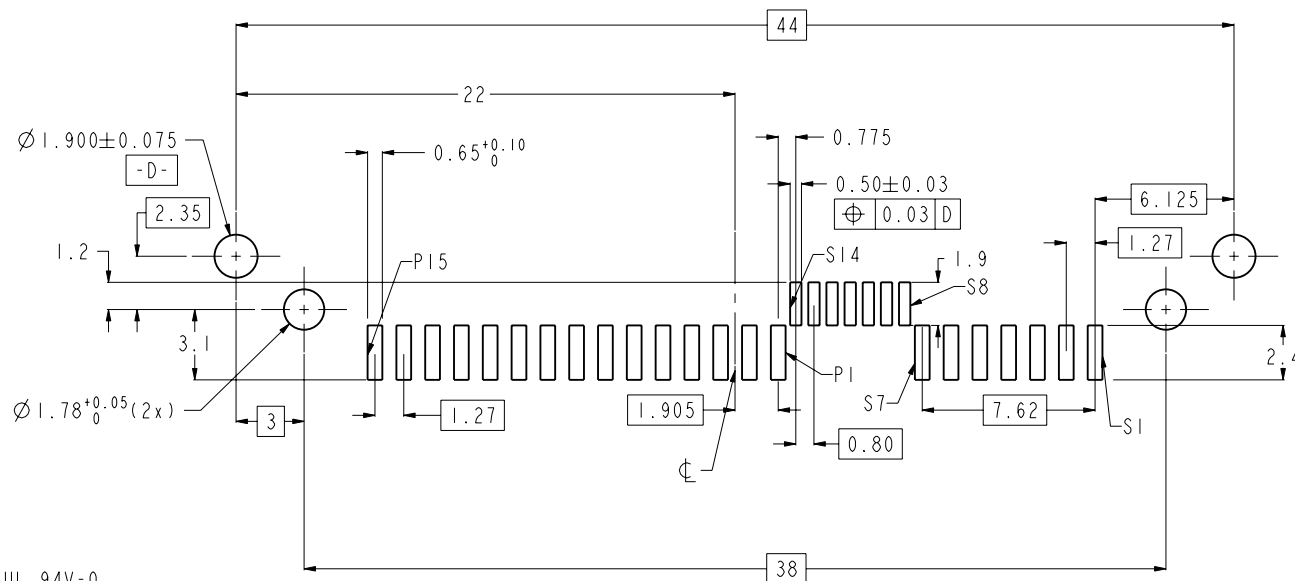
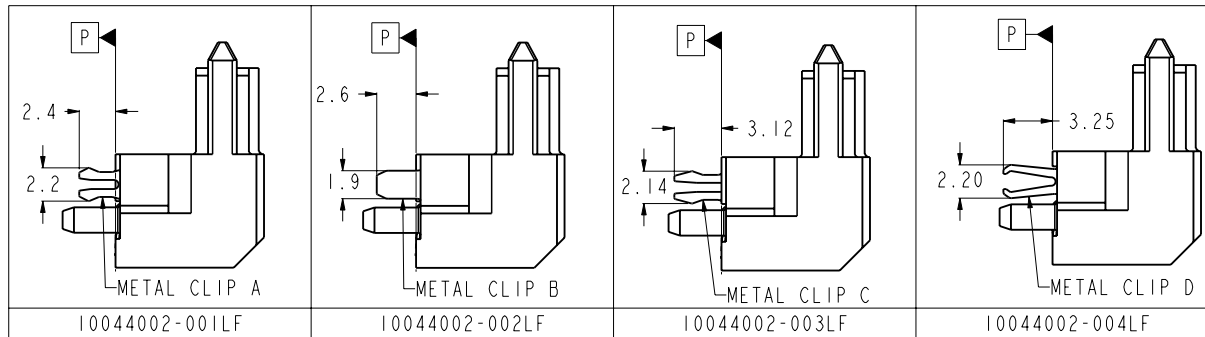


PRODUCT NO	HOLD DOWN	RECOMMENDED PCB THICKNESS
10044002-001LF	METAL CLIP A	1.6MM
10044002-002LF	METAL CLIP B	
10044002-003LF	METAL CLIP C	1.8MM - 1.93MM
10044002-004LF	METAL CLIP D	1.8MM - 2.20MM



RECOMMENDED P.C.B. LAYOUT SCALE 3:1

NOTE:

- MATERIAL:
  - HOUSING: HIGH TEMPERATURE THERMOPLASTIC, UL 94V-0  
COLOUR: BLACK
  - TERMINAL; COPPER ALLOY
  - HOLD DOWN: COPPER ALLOY
- FINISH (LEAD-FREE):
  - TERMINAL: 30u" Au PLATING (CONTACT POINT) OVER 50u" NICKEL
  - SOLDER TAIL: 100u" MIN Sn OVER 50u" NICKEL
  - HOLD DOWN: 100u" min Sn OVER 50u" NICKEL
- PER SFF REV 1.4 EXCEPT 0.8mm PITCH BUMP AREA.
- THE HOUSING WILL WITHSTAND EXPOSURE TO 260°C PEAK TEMPERATURE FOR 10 SECONDS IN A CONVECTION, INFRA-RED OR VAPOR PHASE REFLOW OVEN.
- THIS PRODUCT MEETS EUROPE UNION DIRECTIVES AND OTHER COUNTRY REGULATIONS AS DESCRIBED IN GS-22-008.
- ALL SOLDER TAIL MUST BE WITHIN 0.12mm MAX COPLANARITY.

7. A BE NEXT TO ANY DIMENSION, VIEW, OR NOTE WHICH HAS BEEN MODIFIED WITH THE CURRENT DRAWING REVISION.

rev	ecn no	dr	date
A	S06-0037	YSS	2006-02-09
B	S07-0155	TAY	2007-05-07
C	S08-0085	TAY	2008-03-24
D	S09-0003	TAYKP	2009-01-06

www.fciconnect.com		surface - <input checked="" type="checkbox"/>	tolerance std	projection	MM
		TOLERANCES UNLESS OTHERWISE SPECIFIED			
Dr	HO LW	28JUL04	ANGULAR	size	Scale
Eng	KP TAY	2009-01-06	LINEAR	A4	1:1
Chr	KP TAY	2009-01-06	0° ±2°	ECN	S09-0003
Appr	JOEY NG	2009-01-06	Product family	SAS	Spec ref
FCI			SAS RECEPTACLE		dwg no
			R/A SMT ASSY		10044002
catalog no			CUSTOMER		Rev. D
			sheet 1 of 2		

