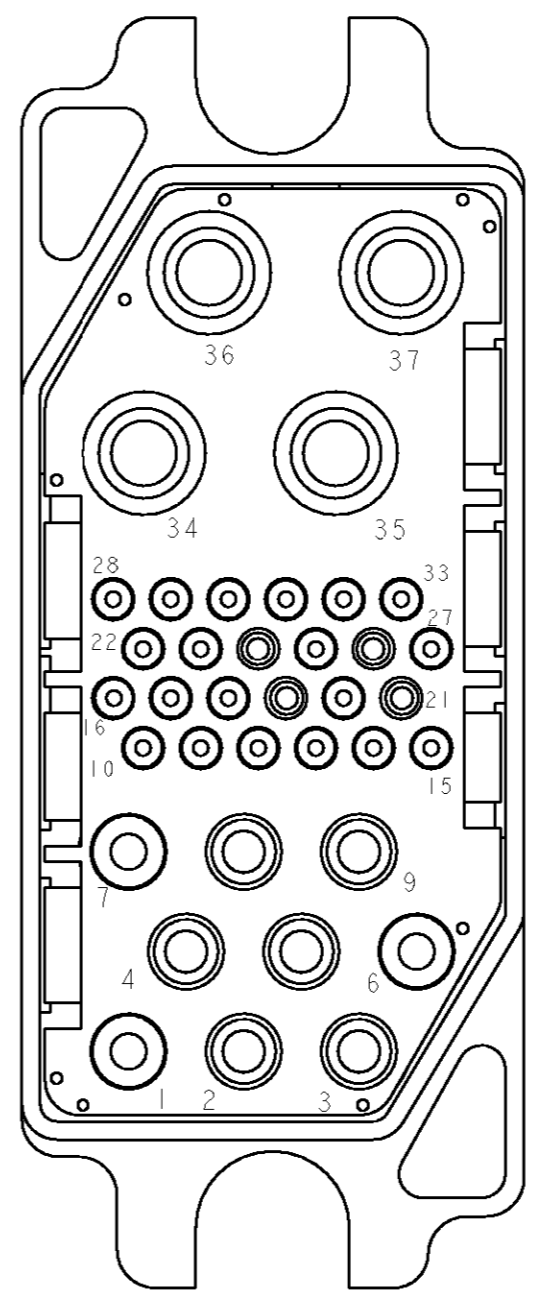
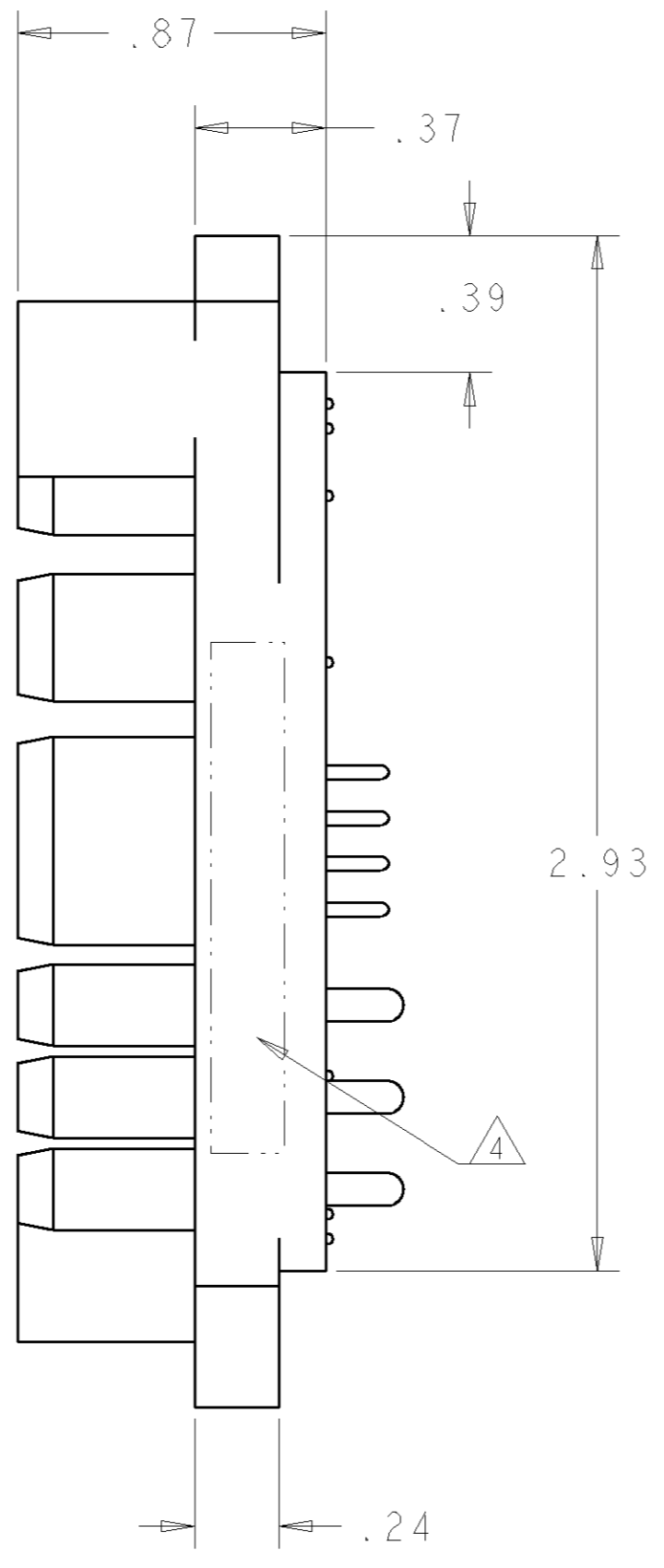
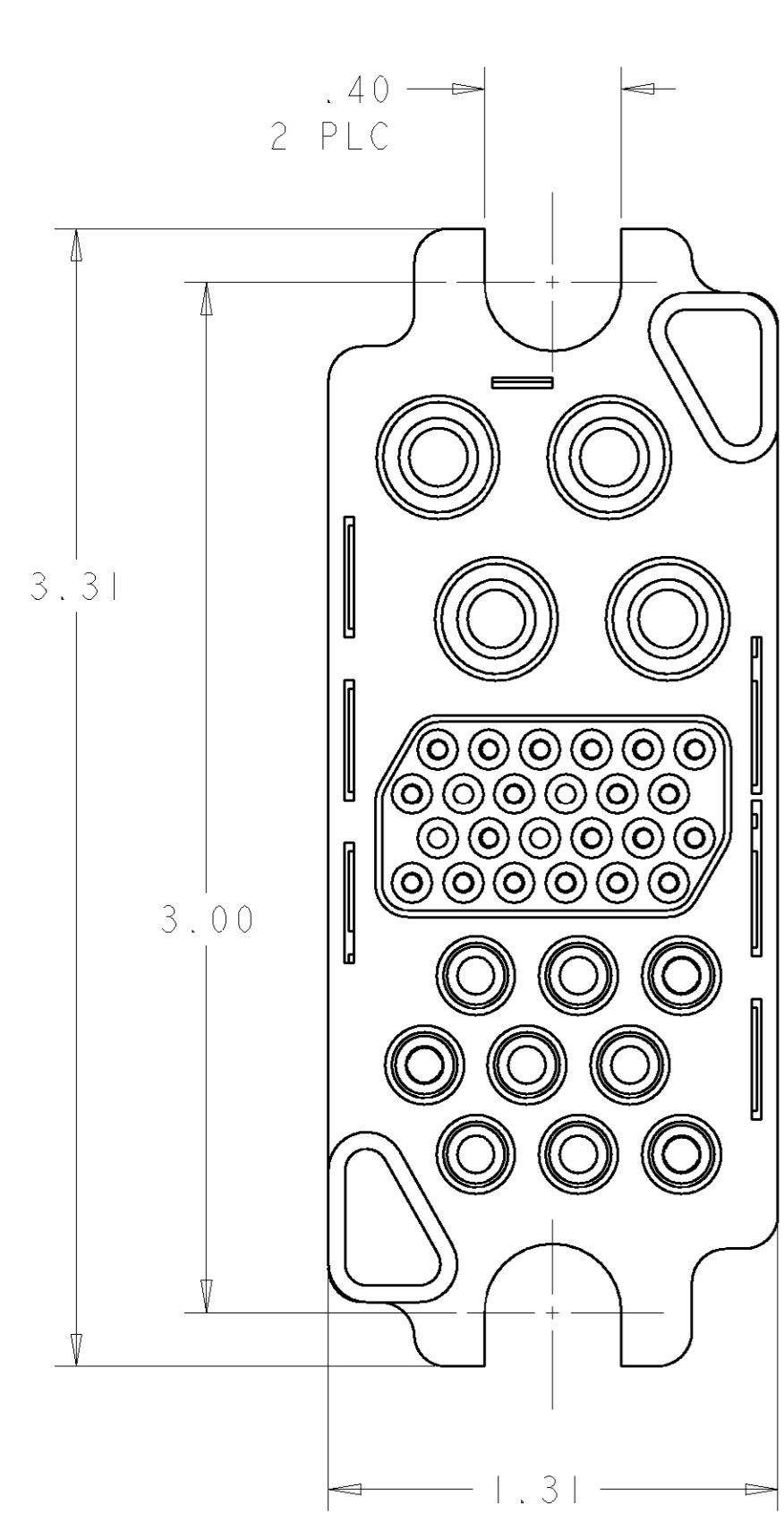


THIS DRAWING IS UNPUBLISHED. RELEASED FOR PUBLICATION 20
 © COPYRIGHT 20 BY TYCO ELECTRONICS CORPORATION. ALL RIGHTS RESERVED.

LOC	DIST	REVISIONS					
GP	00	P	LTR	DESCRIPTION	DATE	DWN	APVD
			A	RELEASED	13FEB2006	RG	MP



SOCKET CONTACT, SIZE #8
 SOCKET CONTACT, SIZE #20 (B)
 SOCKET CONTACT, SIZE #12 (C)

REAR VIEW

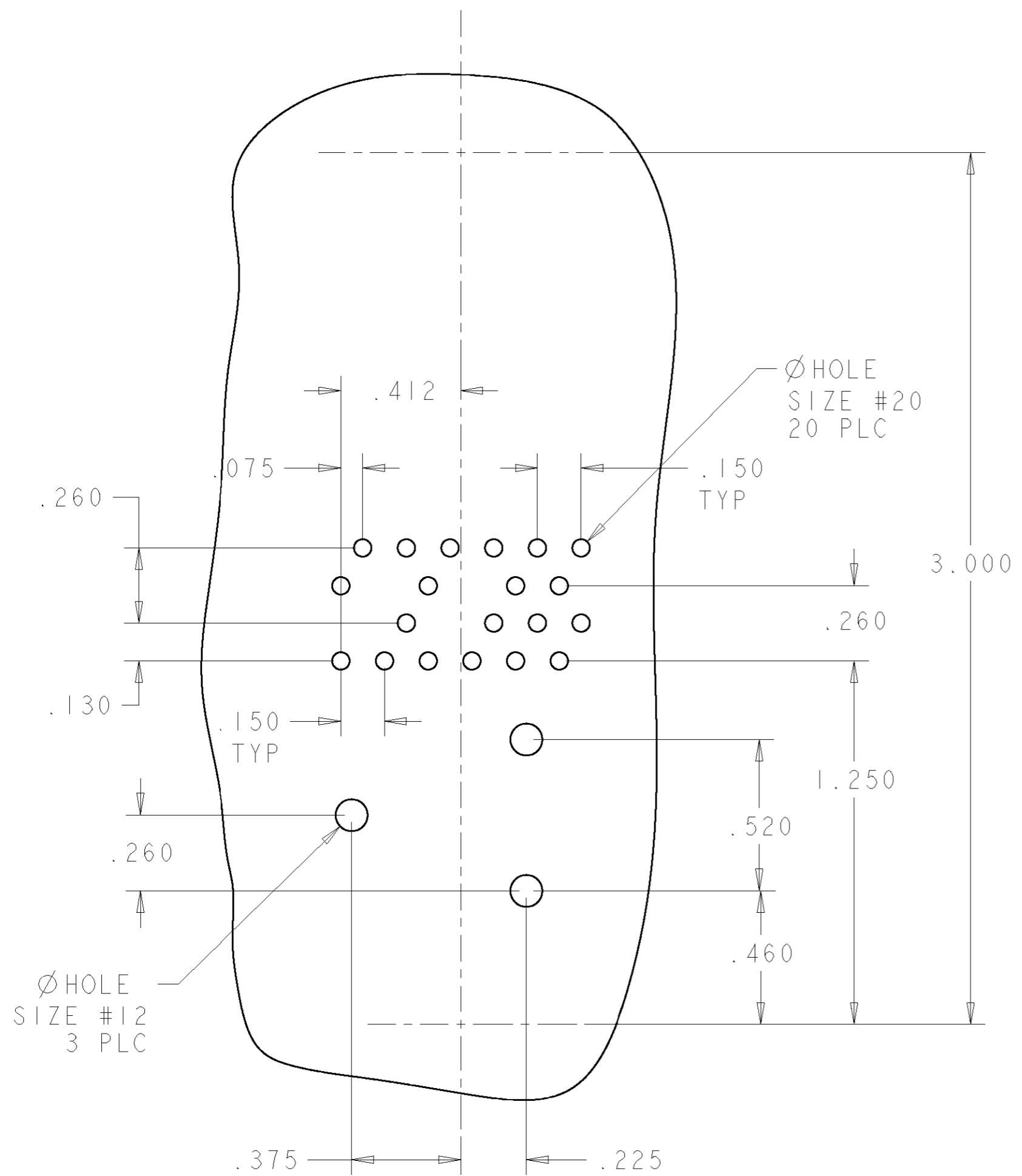
△5	C	3	6648374-1	CONTACT, SOCKET, SIZE #12, PB TAIL
△5	B	20	1648382-1	CONTACT, SOCKET, SIZE #20, PCB TAIL
	A	1	1648168-2	HOUSING, SOCKET, PCB MOUNT
	ITEM	-1	PART NUMBER	DESCRIPTION

ELCON DRAWER

<small>THIS DRAWING IS A CONTROLLED DOCUMENT FOR TYCO ELECTRONICS CORPORATION. IT IS SUBJECT TO CHANGE AND THE CONTROLLING ENGINEERING ORGANIZATION SHOULD BE CONTACTED FOR THE LATEST REVISION.</small>		DWN R. GRZYBOWSKI 14NOV06 CHK D. ORRIS 14NOV06 APVD S. FLICKINGER 14NOV06	tyco Tyco Electronics Harrisburg, PA 17105-3608
DIMENSIONS: INCHES 		TOLERANCES UNLESS OTHERWISE SPECIFIED: 0 PLC ± 1 PLC ± 2 PLC ±.02 3 PLC ±.010 4 PLC ±0.0005 ANGLES ±.5	NAME: CONNECTOR, SOCKET 75 AMP MIDDLE DRAWER SIZE: A2 CAGE CODE: 00779 DRAWING NO: C-1926296
MATERIAL: -		PRODUCT SPEC: -	RESTRICTED TO: -
CUSTOMER DRAWING		WEIGHT: -	SCALE: 4:1 SHEET 1 OF 2 REV A

THIS DRAWING IS UNPUBLISHED. RELEASED FOR PUBLICATION 20
 © COPYRIGHT 20 BY TYCO ELECTRONICS CORPORATION. ALL RIGHTS RESERVED.

LOC	DIST	REVISIONS					
GP	00	P	LTR	DESCRIPTION	DATE	DWN	APVD
		-		SEE SHEET 1	-	-	-



PRINTED CIRCUIT BOARD LAYOUT
 VIEW FROM CONNECTOR MOUNTING SIDE

HOLE SIZE #12
 FINISHED HOLE: $\phi .104 \pm .003$
 DRILLED HOLE: $\phi .1065 \pm .0005$
 COPPER PLATE: .0010 MIN
 TIN PLATE: .0002 MIN THK.
 HOLE SIZE #20
 FINISHED HOLE: $\phi .047 \pm .003$
 DRILLED HOLE: $\phi .0453 \pm .0005$
 COPPER PLATE: .0010 MIN
 TIN PLATE: .0002 MIN THK.

- PART NUMBER CHANGES AND OR DESIGN CHANGES AFFECTING THE INTERCHANGEABILITY REQUIRE PRIOR TYCO APPROVAL AND AUTHORIZATION BY REVISION TO THIS DRAWING.
 - MATERIAL:
 INSULATOR: THERMOPLASTIC, GLASS REINFORCED, UL 94V-0
 FLAMMABILITY RATED, COLOR: BLACK
 CONTACT: BRASS ROD ALLOY
 CROWN BAND: BERYLLIUM COPPER
 RETENTION CLIP: BERYLLIUM COPPER
 - FINISH:
 CONTACTS SIZE #12 : SILVER .000200 MIN. THK. OVER NICKEL .000040 MIN THK.
 CONTACTS SIZE #20 : GOLD .000010 MIN. THK. OVER NICKEL .000040 MIN THK.
 CROWN BAND: GOLD .000030 MIN. THK. OVER NICKEL .000040 MIN THK.
4. ITEMS PROVIDED TO THIS SPECIFICATION TO BE PERMANENTLY IDENTIFIED PER THE FOLLOWING IDENTIFIER:
- YEAR WEEK
- TYCO PART NUMBER DATE CODE (e.g. 0216)
- XXXXXX-X XXXX
5. PCB TAILS CONTACTS (ITEMS B AND C) ARE INSERTABLE/ NON-REMOVABLE LOACTED AS SHOWN.
- SIZE #12:
 POSN: 1,6 & 7
- SIZE #20
 POSN: 10 THRU 15, 16 THRU 18, 20
 POSN: 22, 23, 25 & 27, 28 THRU 33

ELCON DRAWER

THIS DRAWING IS A CONTROLLED DOCUMENT FOR TYCO ELECTRONICS CORPORATION IT IS SUBJECT TO CHANGE AND THE CONTROLLING ENGINEERING ORGANIZATION SHOULD BE CONTACTED FOR THE LATEST REVISION.		DWN R. GRZYBOWSKI 14NOV06	Tyco Electronics Harrisburg, PA 17105-3608	
DIMENSIONS: INCHES		CHK D. ORRIS 14NOV06	NAME CONNECTOR, SOCKET 75 AMP MIDDLE DRAWER	
TOLERANCES UNLESS OTHERWISE SPECIFIED: 0 PLC ± 1 PLC ± 2 PLC ±.02 3 PLC ±.010 4 PLC ±0.0005 ANGLES ±.5		APVD S. FLICKINGER 14NOV06	SIZE A200779	
MATERIAL		PRODUCT SPEC -	DRAWING NO G-1926296	
		APPLICATION SPEC -	RESTRICTED TO -	
		WEIGHT -	SCALE 4:1 SHEET 2 OF 2 REV A	
		CUSTOMER DRAWING		