



E-PHEMT Transistor

TAV1-541+

50Ω 0.045 to 6 GHz

THE BIG DEAL

- Low Noise Figure, 0.4 dB
- Gain, 24 dB typ. at 0.9 GHz
- High Output IP3, +32 dBm at 2 GHz, 60mA, 4V
- Output Power at 1dB compression, +21 dBm, 60mA, 4V
- Wide bandwidth
- External biasing and matching required



Generic photo used for illustration purposes only

CASE STYLE: TE2769

+RoHS Compliant

The +Suffix identifies RoHS Compliance. See our web site for RoHS Compliance methodologies and qualifications

APPLICATIONS

- Cellular
- ISM
- GSM
- WCDMA
- WiMax
- WLAN
- UNII and HIPERLAN

PRODUCT OVERVIEW

TAV1-541+ is a low noise, high IP3 transistor device manufactured using E-PHEMPT* technology enabling it to work with a single positive supply voltage. It has outstanding Noise figure, particularly below 2.5 GHz, and when combining this noise figure with IP3 performance in a single device it makes it an ideal amplifier for multiple applications.

KEY FEATURES

Feature	Advantages
Wideband, 0.045 to 6 GHz	Use in multiple applications: UHF, VHF, communication infrastructure
High Gain, Low noise figure	High Gain limits the effect of noise figure due to previous stages
Small size, 1.18 x 1.42 x 0.85 mm, MCLP package	Small foot print saves space in dense layouts while providing low inductance, repeatable transitions, and excellent thermal contact to the PCB.

* Enhancement mode Pseudomorphic High Electron Mobility Transistor.



ULTRA LOW NOISE, HIGH CURRENT

E-PHEMT Transistor

TAV1-541+

Mini-Circuits

ELECTRICAL SPECIFICATIONS AT $T_{AMB}=25^{\circ}C$, FREQUENCY 0.045 TO 6 GHz

Symbol	Parameter	Condition	Min.	Typ.	Max.	Units	
DC Specifications							
V_{GS}	Operational Gate Voltage	$V_{DS}=3V, I_{DS}=60\text{ mA}$	0.37	0.48	0.69	V	
V_{TH}	Threshold Voltage	$V_{DS}=3V, I_{DS}=4\text{ mA}$	0.18	0.26	0.38	V	
I_{DSS}	Saturated Drain Current	$V_{DS}=3V, V_{GS}=0\text{ V}$	—	1.0	5.0	μA	
G_M	Transconductance	$V_{DS}=3V, G_m = \Delta I_{DS} / \Delta V_{GS}$ $\Delta V_{GS} = V_{GS2} - V_{GS1}$ $V_{GS1} = V_{GS1}$ at $I_{DS}=60\text{ mA}$ $V_{GS2} = V_{GS1} + 0.05V$	230	392	560	mS	
I_{GSS}	Gate leakage Current	$V_{GD}=V_{GS}=-3V$	—	—	200	μA	
RF Specifications¹, $Z_0=50\text{ Ohms}$ (Figure 1)							
NF	Noise Figure	$V_{DS}=3V, I_{DS}=60\text{ mA}$	f=0.9 GHz	—	0.4	0.9	dB
			f=2.0 GHz	—	0.6		
			f=3.9 GHz	—	0.9		
			f=5.8 GHz	—	1.4		
		$V_{DS}=4V, I_{DS}=60\text{ mA}$	f=2.0 GHz	—	0.7		
Gain	Gain	$V_{DS}=3V, I_{DS}=60\text{ mA}$	f=0.9 GHz	16.4	24.1	20.4	dB
			f=2.0 GHz	16.4	18.6		
			f=3.9 GHz	16.4	13.3		
			f=5.8 GHz	16.4	9.3		
		$V_{DS}=4V, I_{DS}=60\text{ mA}$	f=2.0 GHz	16.4	18.6		
OIP3	Output IP3	$V_{DS}=3V, I_{DS}=60\text{ mA}$	f=0.9 GHz	—	32	—	dBm
			f=2.0 GHz	—	31.4		
			f=3.9 GHz	—	31.7		
			f=5.8 GHz	—	31.9		
		$V_{DS}=4V, I_{DS}=60\text{ mA}$	f=2.0 GHz	—	33.9		
P1dB ²	Power output at 1 dB Compression	$V_{DS}=3V, I_{DS}=60\text{ mA}$	f=0.9 GHz	—	18.2	—	dBm
			f=2.0 GHz	—	18.4		
			f=3.9 GHz	—	18.6		
			f=5.8 GHz	—	18.3		
		$V_{DS}=4V, I_{DS}=60\text{ mA}$	f=2.0 GHz	—	20.7		





ULTRA LOW NOISE, HIGH CURRENT

E-PHEMT Transistor

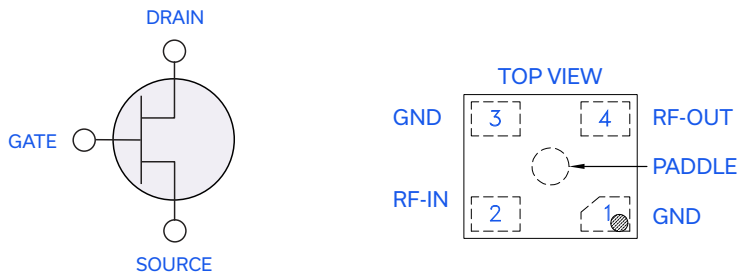
TAV1-541+

MAXIMUM RATINGS³

Symbol	Parameter	Max.	Units
$V_{DS}^{(4)}$	Drain-Source Voltage	5	V
$V_{GS}^{(4)}$	Gate-Source Voltage	-5 to 0.7	V
$V_{GD}^{(4)}$	Gate-Drain Voltage	-5 to 0.7	V
$I_{DS}^{(4)}$	Drain Current	120	mA
I_{CS}	Gate Current	2	mA
P_{DISS}	Total Dissipated Power	360	mW
$P_{IN}^{(5)}$	RF Input Power	17	dBm
T_{CH}	Channel Temperature	150	°C
T_{OP}	Operating Temperature	-40 to 85	°C
T_{STD}	Storage Temperature	-65 to 150	°C
Θ_{JC}	Thermal Resistance	160	°C/W

- 2. Drain current bias is allowed to increase during compression measurement.
- 3. Operation of this device above any one of these parameters may cause permanent damage
- 4. Assumes DC quiescent conditions
- 5. I_{GS} is limited to 2 mA during test.

SIMPLIFIED SCHEMATIC AND PIN DESCRIPTION



Function	Pin Number	Description
RF-IN	2	Gate used for RF input
RF-OUT	4	Drain used for RF output
GND	1,3 and Paddle	Source terminal and Paddle, normally connected to ground.



ULTRA LOW NOISE, HIGH CURRENT

E-PHEMT Transistor

TAV1-541+

CHARACTERIZATION TEST CIRCUIT

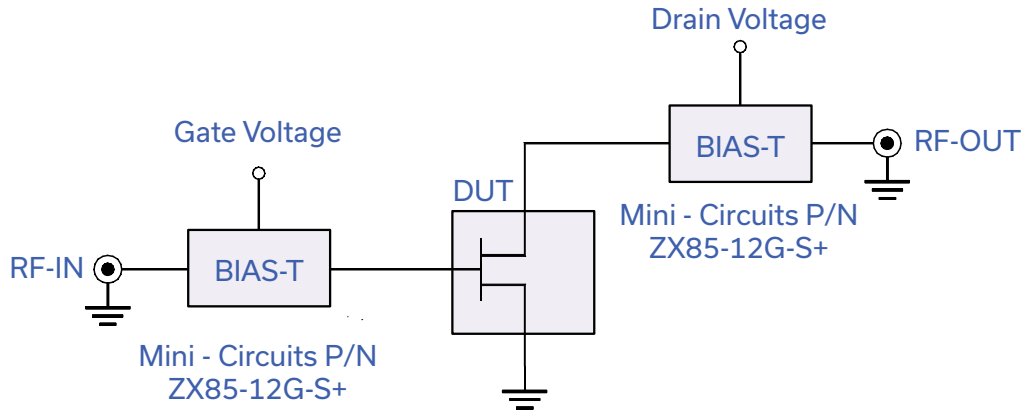


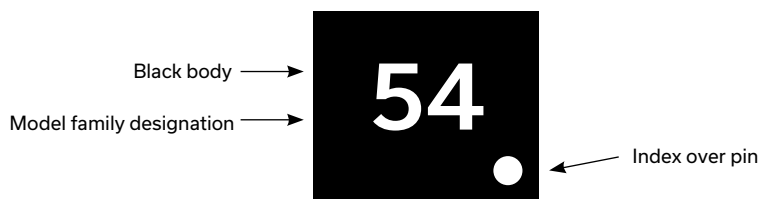
Fig 1. Block Diagram of Test Circuit used for characterization. (DUT soldered on Mini-Circuits Test Board TB-TAV1-541+)

Gain, Output power at 1dB compression (P1 dB), Noise Figure and output IP3 (OIP3) are measured using Keysight/Agilent Network Analyzer PNA-X.

Conditions:

1. Drain voltage (with reference to source, VDS)= 3 or 4V as shown.
2. Gate Voltage (with reference to source, VGS) is set to obtain desired Drain-Source current (IDS) as shown in specification table.
3. Gain: Pin= -25dBm
4. Output IP3 (OIP3): Two tones, spaced 1 MHz apart, 0 dBm/tone at output.
5. No external matching components used.

PRODUCT MARKING



Marking may contain other features or characters for internal lot control





ULTRA LOW NOISE, HIGH CURRENT

E-PHEMT Transistor

TAV1-541+

Mini-Circuits

ADDITIONAL DETAILED TECHNICAL INFORMATION IS AVAILABLE ON OUR DASH BOARD. TO ACCESS [CLICK HERE](#)

Performance Data	Data Table Swept Graphs S-Parameter (S2P Files) Data Set (.zip file)
Case Style	TE2769 Plastic package, exposed paddle, lead finish: Matte-Tin plated
Tape & Reel Standard quantities available on reel	F90 7" reels with 20, 50, 100, 200, 500,1K,2K or 3K devices
Suggested Layout for PCB Design	98-PL-665
Evaluation Board	TB-TAV1-541+
Environmental Ratings	ENV08T2

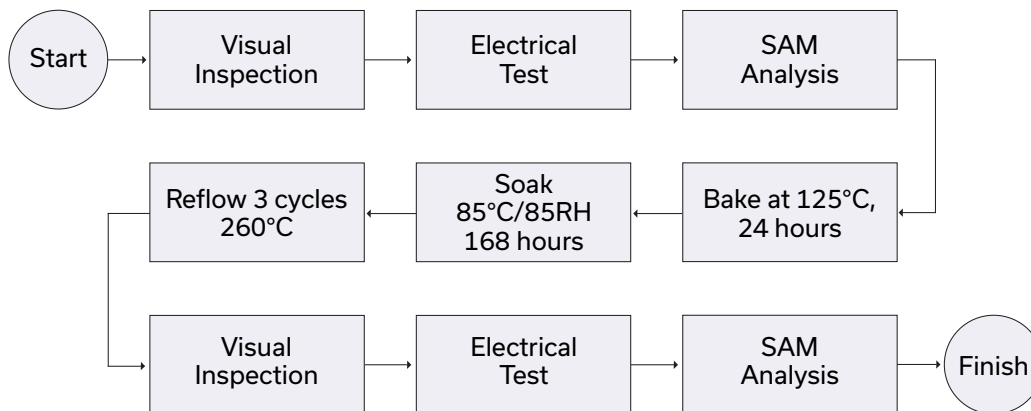
ESD RATING

Human Body Model (HBM): Class 1A (250V to <500V) in accordance with ANSI/ESD STM 5.1 - 2001

MSL RATING

Moisture Sensitivity: MSL1 in accordance with IPC/JEDEC J-STD-020D

MSL TEST FLOW CHART



- NOTES**
- A. Performance and quality attributes and conditions not expressly stated in this specification document are intended to be excluded and do not form a part of this specification document.
 - B. Electrical specifications and performance data contained in this specification document are based on Mini-Circuit's applicable established test performance criteria and measurement instructions.
 - C. The parts covered by this specification document are subject to Mini-Circuits standard limited warranty and terms and conditions (collectively, "Standard Terms"); Purchasers of this part are entitled to the rights and benefits contained therein. For a full statement of the standard. Terms and the exclusive rights and remedies thereunder, please visit Mini-Circuits' website at www.minicircuits.com/MCLStore/terms.jsp

