

MATERIAL & SPECIFICATIONS

HOUSING:
ALUMINIUM 6061-T6,
NICKEL PLATE PER
SAE-AMS-2404.

INSULATOR:
THERMOPLASTIC PER
MIL-DTL-32139.

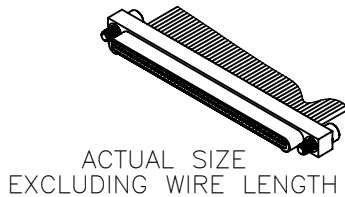
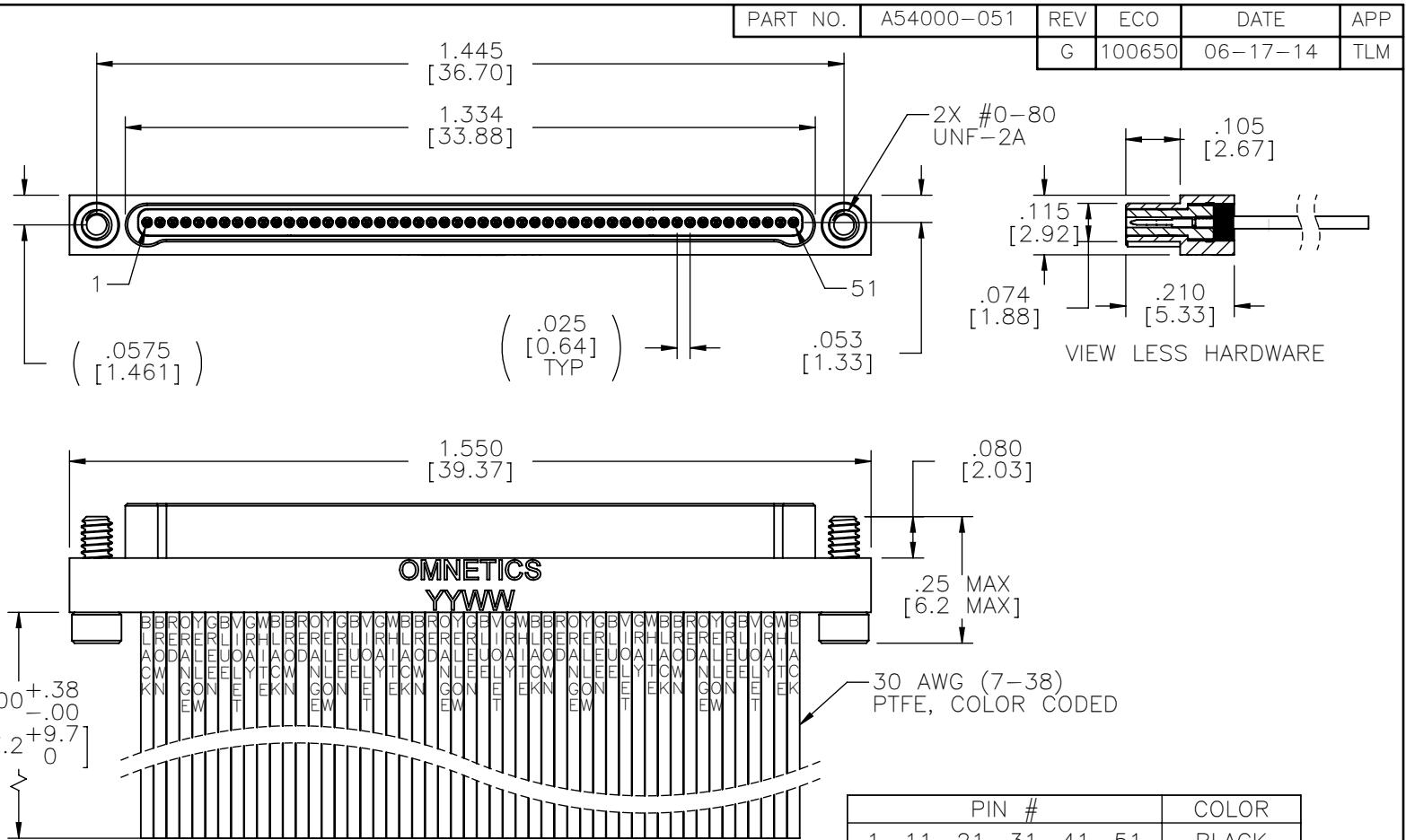
CONTACT:
BERYLLIUM COPPER
PER ASTM B194,
C17200, GOLD PLATED
PER ASTM B488,
(HARD GOLD) TYPE II
CODE C, CLASS 1.27.

WIRE:
NEMA HP3 TYPE ET,
COLOR CODED IAW
MIL-STD-681, SYSTEM
1, USING TEN SOLID
REPEATING COLORS.

HARDWARE:
303 STAINLESS STEEL
PER ASTM 582.

CURRENT RATING:
1 AMP MAX PER MIL-
DTL-32139.

PERFORMANCE:
PRODUCT FAMILY
TESTED TO AND
PASSED THE
PERFORMANCE
SPECIFICATIONS OF
TABLE VIII OF MIL-
DTL-32139.



PIN #	COLOR
1, 11, 21, 31, 41, 51	BLACK
2, 12, 22, 32, 42	BROWN
3, 13, 23, 33, 43	RED
4, 14, 24, 34, 44	ORANGE
5, 15, 25, 35, 45	YELLOW
6, 16, 26, 36, 46	GREEN
7, 17, 27, 37, 47	BLUE
8, 18, 28, 38, 48	VIOLET
9, 19, 29, 39, 49	GRAY
10, 20, 30, 40, 50	WHITE

NOTE:
DIMENSIONS IN [] ARE IN
MILLIMETERS UNLESS
OTHERWISE NOTED AND ARE
FOR REFERENCE ONLY

MBS CS MCS	THIRD ANGLE
	- TOLERANCES -
	UNLESS OTHERWISE NOTED
	DIMENSIONS IN INCHES
2	PL DEC ± .01
3	PL DEC ± .005
4	PL DEC ± .0005
ANGLES ± 1°	

THIS DRAWING CONTAINS CONFIDENTIAL AND PROPRIETARY INFORMATION WHICH IS THE PROPERTY OF OMNETICS CONNECTOR CORPORATION. THIS DOCUMENT MAY NOT, IN WHOLE OR IN PART, BE DUPLICATED, OR DISCLOSED FOR ANY PURPOSE, WITHOUT WRITTEN PERMISSION FROM OMNETICS CONNECTOR CORP.	
DFTM. MJM	DATE 03-31-11
CHK'D.	DATE
APP'D.	DATE
TITLE: (51) PIN MALE	
Bi-Lobe® CONNECTOR	

OMNETICS
CONNECTOR CORPORATION
7260 COMMERCE CIRCLE EAST
MINNEAPOLIS, MN 55432
WWW.OMNETICS.COM

CAGE CODE 61873	
DWG NO. A54000-051	
SHEET 1 OF 1	REV G
SCALE: 3:1	