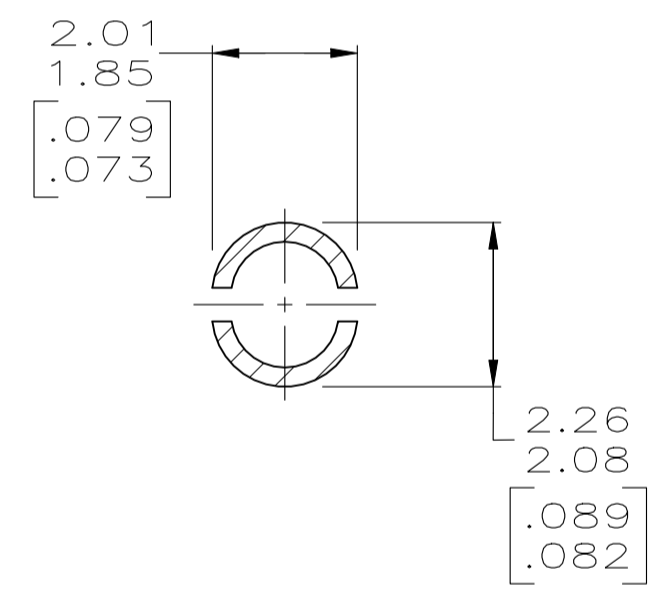
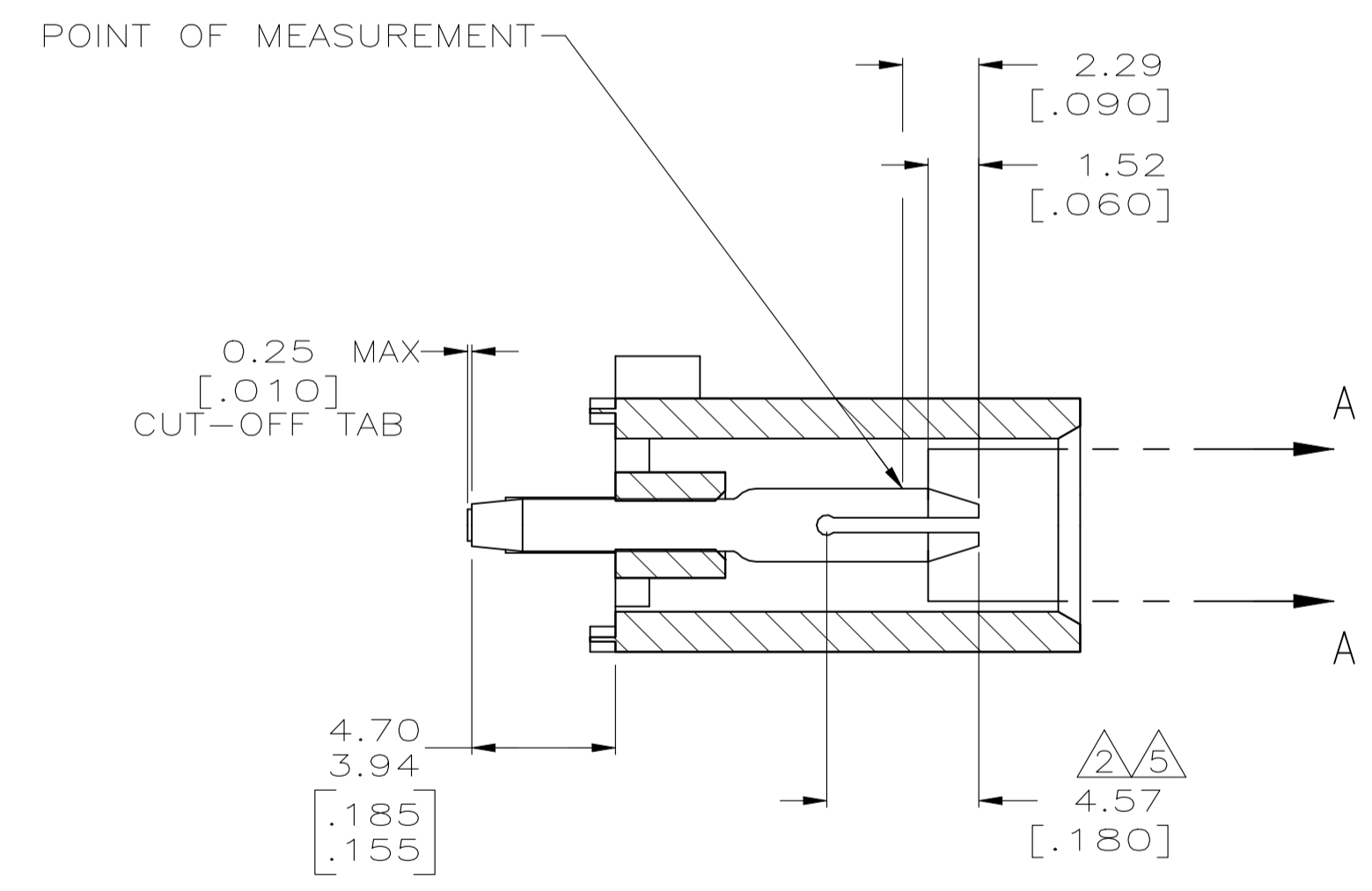
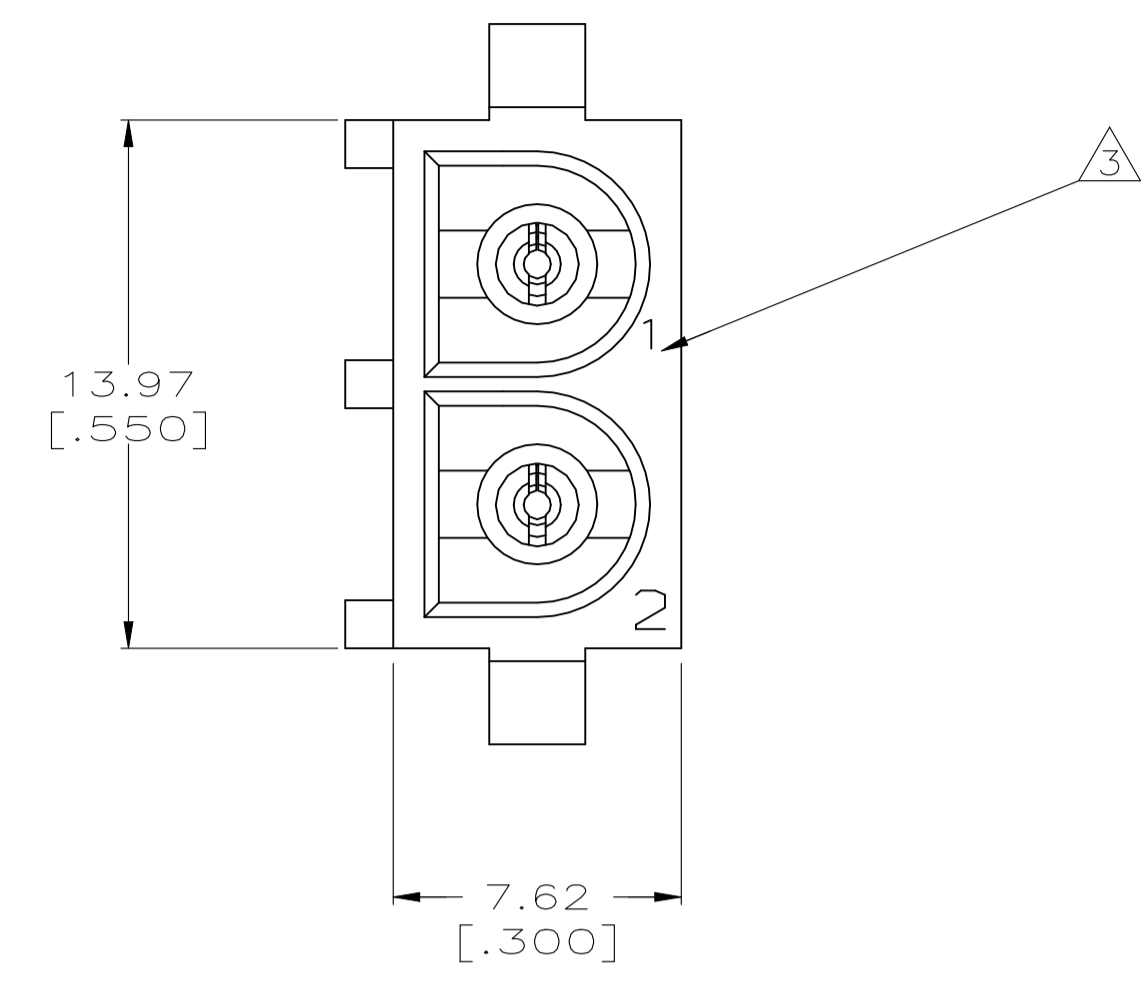
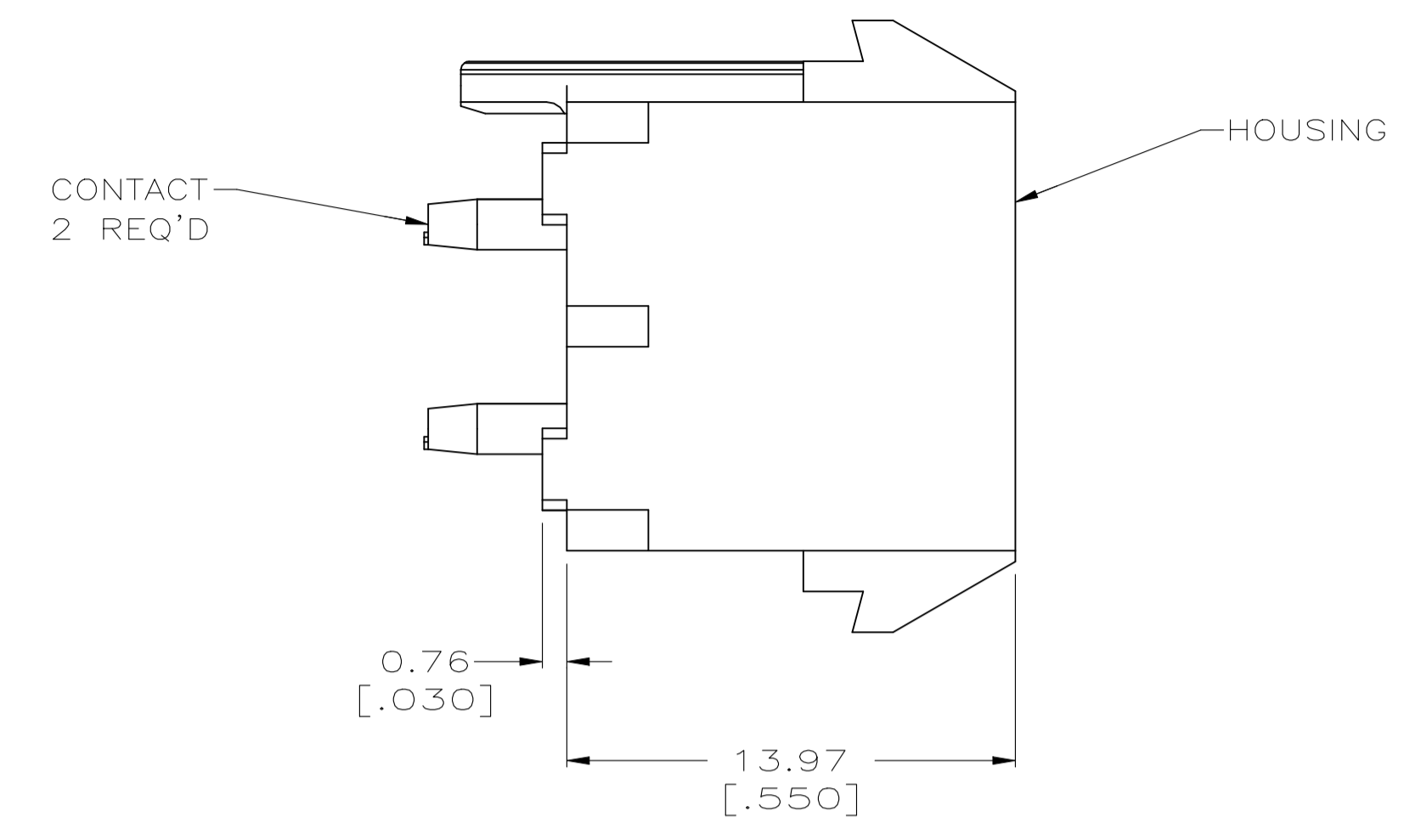
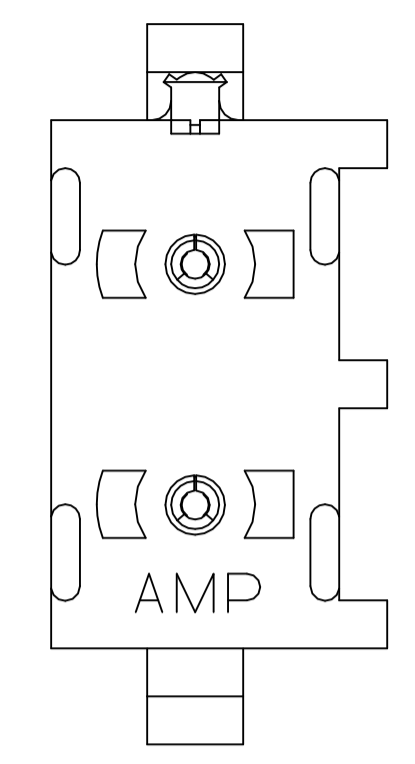
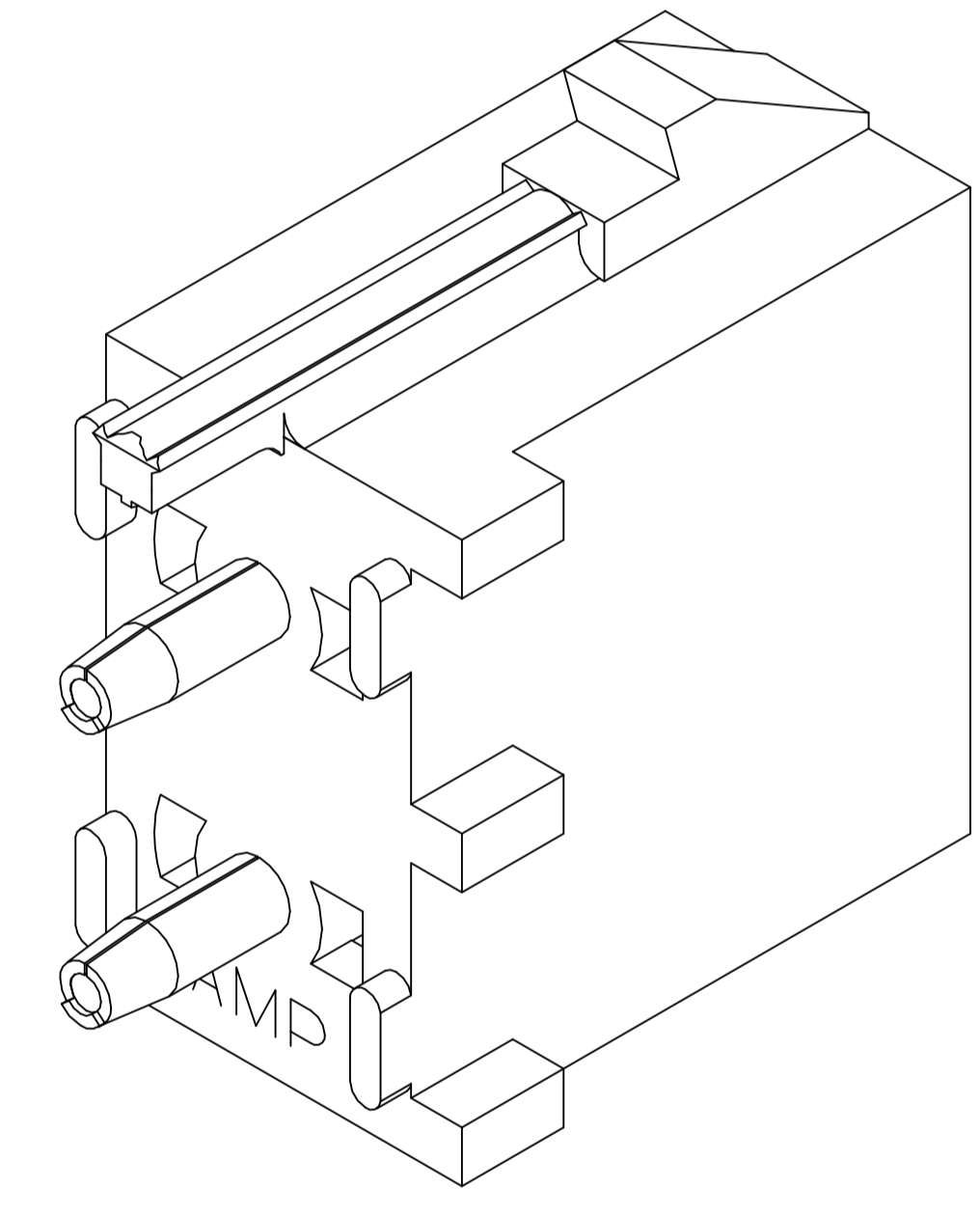


REVISIONS					
REV	DATE	DESCRIPTION	BY	CHK	APP'D
K2	21JUL2022	REVISED PER ECR-21-118222	JP	VS	

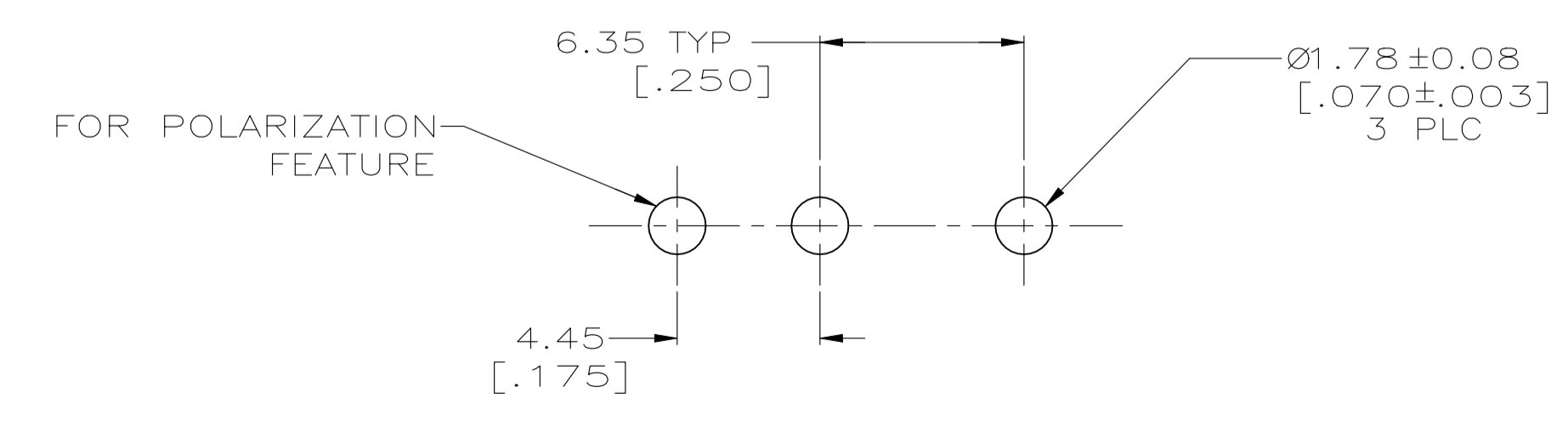
- 1 PARTS COMPLY TO AMP SOLDERABILITY SPECIFICATION 109-11-3.
- 2 CONTACT IS PLATED OVERALL WITH 0.00127[.000050] NICKEL, THEN 0.00076 [.000030] GOLD OVER CONTACT LENGTH INDICATED AND MATTE TIN LEAD ON SOLDER TAIL END.
- 3 CIRCUIT IDENTIFICATION CHARACTERS ARE ADJACENT TO THE INDICATED CAVITIES, BUT LOCATION AND ORIENTATION MAY DIFFER FROM PRINT.
- 4 DIMENSIONS IN BRACKETS ARE IN INCHES.
- 5 CONTACT IS PLATED OVERALL WITH 0.00127[.000050] NICKEL, THEN 0.00076 [.000030] GOLD OVER CONTACT LENGTH INDICATED AND MATTE TIN ON SOLDER TAIL END.
- 6 SUPERSEDED BY 641963-3
- 7 DIMENSIONS SHOWN REPRESENT PRODUCT IN DRY CONDITION. ADDITIONAL 2% GROWTH DUE TO END USE LOCATION MOISTURE ABSORPTION MAY OCCUR AND SHOULD BE ACCOUNTED FOR.



SECTION A-A  
SCALE 10:1



3-DIMENSIONAL MODEL  
NTS



RECOMMENDED MOUNTING HOLE PATTERN  
FOR 1.57 [.062] THICK P.C. BOARD

PHOSPHOR BRONZE, GOLD	NYLON,UL94V-2,NATURAL	641963-3
PHOSPHOR BRONZE, GOLD	NYLON,UL94V-2,NATURAL	641963-2
PHOSPHOR BRONZE, PRE-TIN	NYLON,UL94V-2,NATURAL	641963-1
PIN CONTACT MATERIAL AND FINISH	HOUSING MATERIAL	PART NUMBER

THIS DRAWING IS A CONTROLLED DOCUMENT.		DIN L McEACHIN 07-JAN-2000		TE Connectivity	
DIMENSIONS: mm [INCHES]		CHK K COBLE 07-JUN-2000		NAME	
TOLERANCES UNLESS OTHERWISE SPECIFIED:		APP'D K COBLE 07-JUN-2000		PRODUCT SPEC	
0 PLC ± -		APPLICATION SPEC		SIZE CASE CODE DRAWING NO	
1 PLC ± -		WEIGHT		RESTRICTED TO	
2 PLC ± 0.13 [.005]		A1 00779 641963		SCALE 5:1 SHEET 1 OF 1 REV K2	
3 PLC ± -		CUSTOMER DRAWING			
4 PLC ± -					
ANGLES ± 0°30'					
MATERIAL SEE TABLE		FINISH SEE TABLE			