

- > for fine cutting work in electronics and fine mechanics
- > electrically discharging handles – dissipative
- > sturdy, zero backlash box-joint
- > low-friction double spring for gentle and even opening
- > the mirror polish with a fine film of oil, offers effective rust protection – no circuit faults caused by peeling chrome from plated tools
- > induction hardened cutting edges (approx. 60 HRC)
- > ball bearing steel

77 02 115 ESD

Round head, with small bevel; cutting edge hardness approx. 60 HRC

77 12 115 ESD

Round head, with bevel and lead catcher - no uncontrolled loss of cut wire ends; cutting edge hardness approx. 62 HRC

77 22 115 ESD

Round head, without bevel; cutting edge hardness approx. 57 HRC

77 32 115 ESD

Pointed head, with small bevel; cutting edge hardness approx. 60 HRC

77 42 115 ESD

Pointed head, without bevel; cutting edge hardness approx. 57 HRC

77 52 115 ESD

Pointed, flat head, with small bevel; cutting edge hardness approx. 60 HRC

77 72 115 ESD

Pointed mini-head, with small bevel; cutting edge hardness approx. 60 HRC



77 02 115 ESD



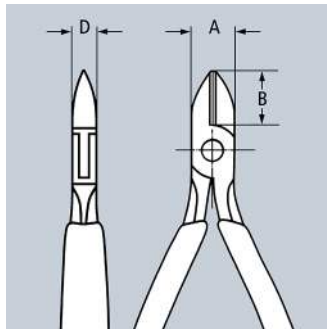
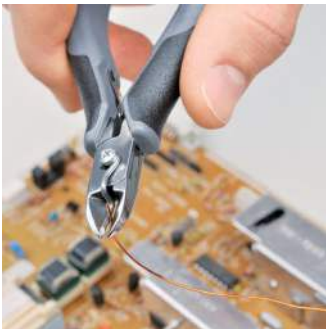
77 12 115 ESD



77 22 115 ESD



77 32 115 ESD



ESD Pliers (electrostatic discharge)

Electrostatic energy is discharged through the handles in a gradual and controlled manner which protects components endangered by electrostatic discharge in accordance with applicable standards, e.g. IEC TR 61 340-5, DIN EN 61 340-5, SP Method 2472





77 42 115 ESD



77 52 115 ESD



77 72 115 ESD

Product Number	Packaging	↔ Inch mm		Head	Handles	Cutting capacities			Dimensions			 lbs
						 Ø Inch Ø mm	 Ø Inch Ø mm	 Ø Inch Ø mm	A Inch mm	B Inch mm	D Inch mm	
77 02 115 ESD		4 1/2 115		mirror polished	ESD multi-component grips	1/64 - 1/16 0.3 - 1.6	3/64 1.2	1/64 0.3	7/16 11.0	35/64 14.0	19/64 7.5	0.16
77 12 115 ESD		4 1/2 115		mirror polished	ESD multi-component grips	1/64 - 1/16 0.3 - 1.6	3/64 1.2	1/32 0.6	7/16 11.0	35/64 14.0	19/64 7.5	0.18
77 22 115 ESD		4 1/2 115		mirror polished	ESD multi-component grips	1/64 - 3/64 0.3 - 1.3	3/64 1.0	-	7/16 11.0	35/64 14.0	19/64 7.5	0.15
77 32 115 ESD		4 1/2 115		mirror polished	ESD multi-component grips	1/64 - 3/64 0.3 - 1.3	3/64 1.0	1/64 0.5	7/16 11.0	35/64 14.0	19/64 7.5	0.17
77 42 115 ESD		4 1/2 115		mirror polished	ESD multi-component grips	1/64 - 3/64 0.3 - 1.3	1/32 0.8	-	7/16 11.0	35/64 14.0	19/64 7.5	0.17
77 52 115 ESD		4 1/2 115		mirror polished	ESD multi-component grips	1/64 - 3/64 0.3 - 1.0	1/32 0.8	1/64 0.5	7/16 11.0	35/64 14.0	19/64 7.5	0.17
77 72 115 ESD		4 1/2 115		mirror polished	ESD multi-component grips	1/64 - 1/32 0.3 - 0.8	-	-	7/16 11.0	35/64 14.0	19/64 7.5	0.15