



# SERIES PBH SWITCHES

## PUSHBUTTON SWITCHES



### SPECIFICATIONS

Contact Rating:	100mA @ 30 VDC
Life Expectancy (Mechanical):	30,000 cycles min.
Life Expectancy (Electrical):	10,000 cycles min.
Contact Resistance:	100mΩ max.
Insulation Resistance:	100MΩ min.
Dielectric Strength:	250 VAC for 60 seconds
Actuation Force:	2 Pole: 230 ± 50 g 4 Pole: 280 ± 50 g 6 Pole: 380 ± 50 g
Operating Temperature:	-20° to + 70°C

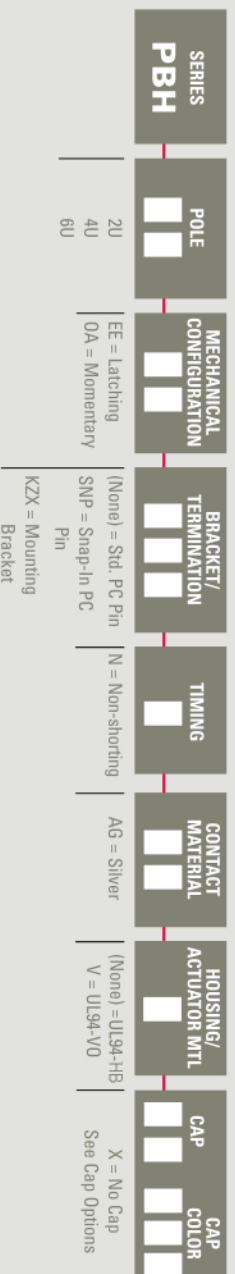
### FEATURES & BENEFITS

- ▶ Up to 6 poles available
- ▶ Latching & momentary functions
- ▶ UL 94V0 material option available

### APPLICATIONS/MARKETS

- ▶ Telecommunications
- ▶ Networking
- ▶ Computers/servers
- ▶ Performance audio
- ▶ Instrumentation
- ▶ Low power on/off designs
- ▶ External hard drives and modems

### HOW TO ORDER



▶ ▶ ▶ Example Ordering Number  
PBH6UESNPAGV1RLGR

Specifications subject to change without notice.



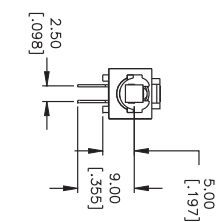
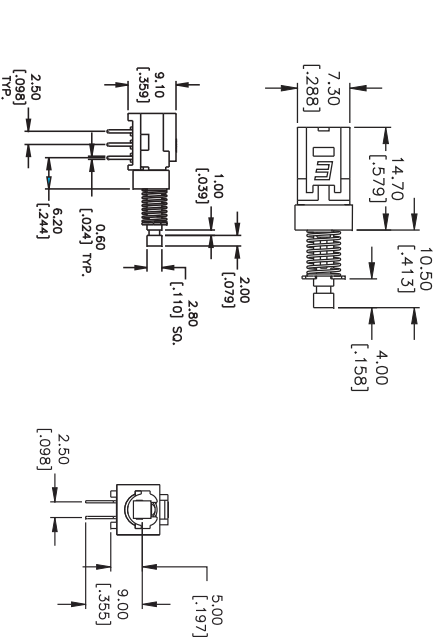
# SERIES PBH SWITCHES

## PUSHBUTTON SWITCHES

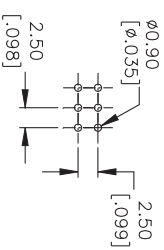
### OPTIONS



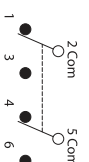
2U



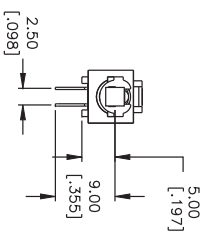
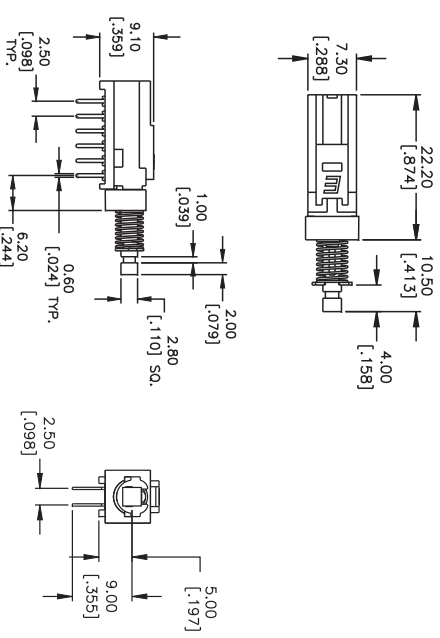
#### PC MOUNTING



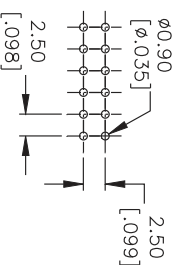
#### SCHEMATIC



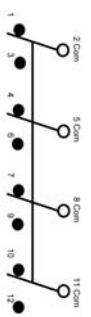
4U



#### PC MOUNTING



#### SCHEMATIC



CAP  
OPTIONS

DETECTOR  
SWITCHES

ROTARY  
SWITCHES

KEYLOCK  
SWITCHES

DIP  
SWITCHES

SNAP-ACTION  
SWITCHES

SLIDE  
SWITCHES

ROCKER  
SWITCHES

TOGGLE  
SWITCHES

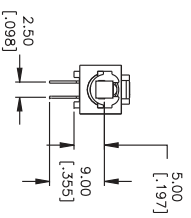
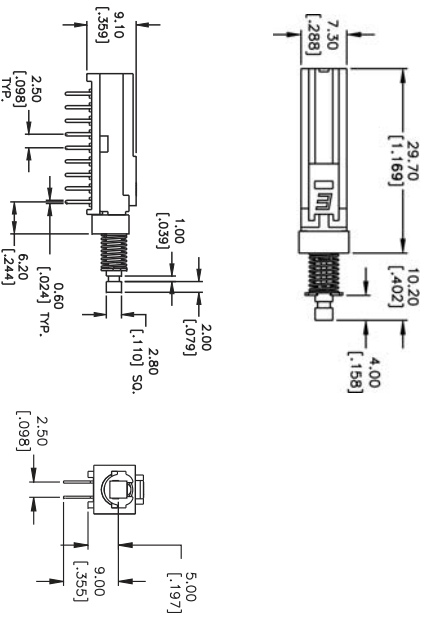
**PUSHBUTTON  
SWITCHES**

NAVIGATION  
SWITCHES

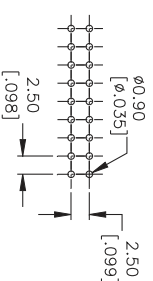
TACT  
SWITCHES



6U



#### PC MOUNTING



#### SCHEMATIC

