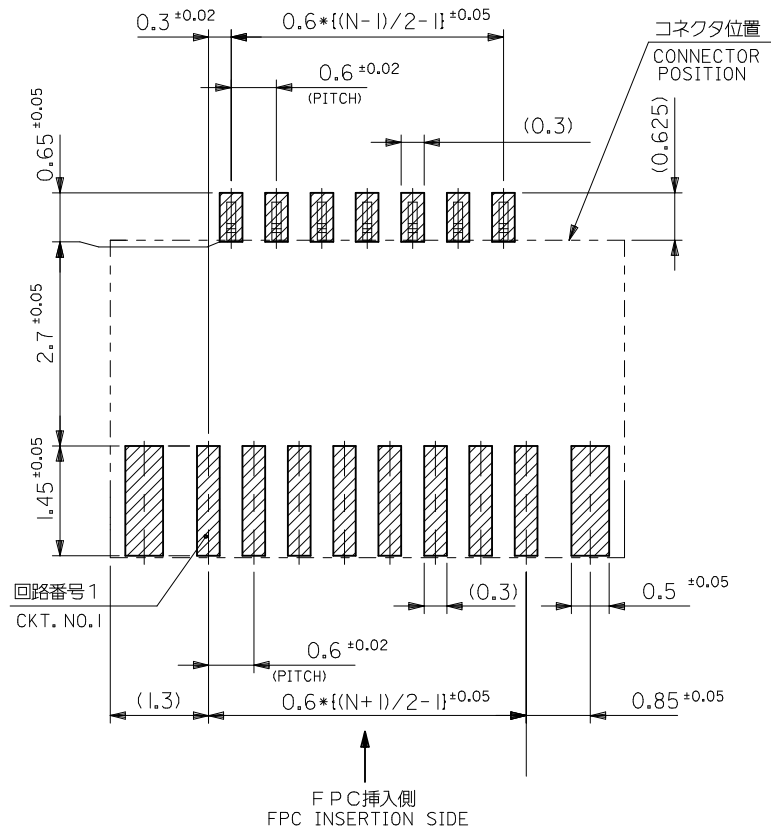


注記 NOTES

1. 使用材料 MATERIAL
 ハウジング HOUSING: LCP, UL94V-0
 アクチュエータ ACTUATOR: PA46, UL94V-0
 ターミナル: リン青銅 (t=0.12), ニッケル下地 金メッキ
 TERMINAL: PHOSPHOR BRONZE, GOLD OVER NICKEL PLATING.
 金具: リン青銅 (t=0.2), ニッケル下地 錫メッキ
 STOPPER: PHOSPHOR BRONZE, TIN OVER NICKEL PLATING.
2. ソルダーテール半田付け面のズレ量は、基準面 [R] に対し、上方向 OMAX, 下方向 0.1 MAXIMUM とする。又、相互のパラッキ量は 0.1 MAXIMUM とする。MISALIGNMENT OF SOLDER TAILS AND FITTING NAILS FROM [R] UPPER DIRECTION: 0 MAX., LOWER DIRECTION: 0.1 MAXIMUM OFFSET BETWEEN SOLDER TAILS AND FITTING NAILS: 0.1 MAXIMUM
3. 一般公差: ±0.3
 GENERAL TOLERANCES: ±0.3
4. 本製品は 54809-***67 の鉛フリー品である。
 THIS PRODUCT IS LEAD FREE OF 54809-***67.

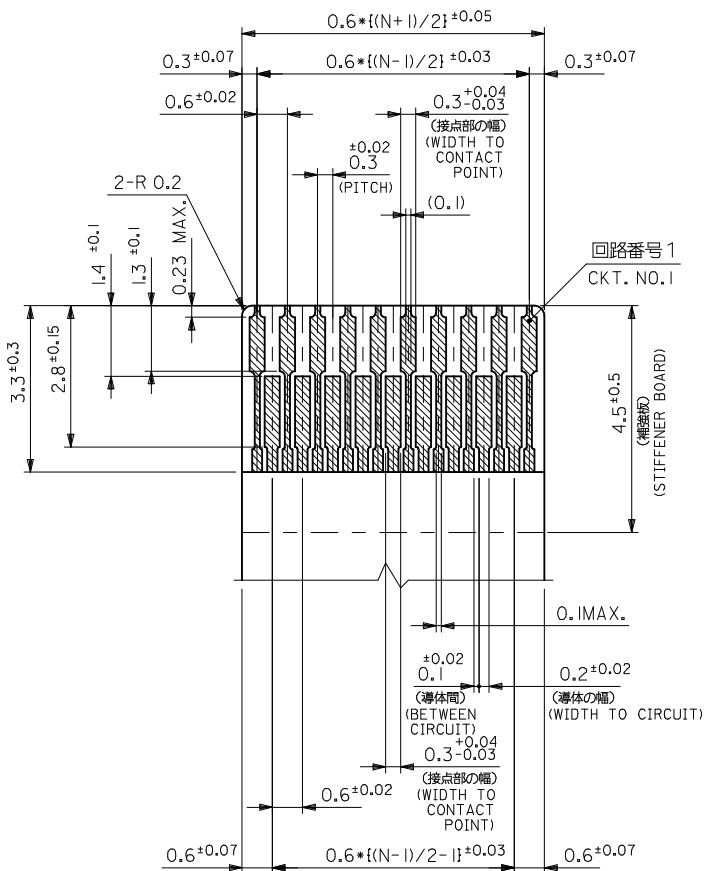
15.6	15.0	14.4	17.6	54809-5175	54809-5169	51
12.0	11.4	10.8	14.0	54809-3975	54809-3969	39
11.4	10.8	10.2	13.4	54809-3775	54809-3769	37
6.6	6.0	5.4	8.6	54809-2175	54809-2169	21
D	C	B	A	EMBOSSED TAPE		MATERIAL NO.
				ORDER No. オート番号		CIRCUITS

REVISED EC NO: J2014-1476 DRWN: AYOSHI 01 2014/03/31 CHKD: YKOBAYASHI 02 2014/03/31 APPR: YNOGAWA 2014/04/17	GENERAL TOLERANCES (UNLESS SPECIFIED)		DIMENSION STYLE MM ONLY		SCALE ---		MODEL NO. 54809-***69	
	10 UNDER	±0.2	DRAWN BY	DATE	TITLE			
	10 OVER 30 UNDER	±0.25	TUENO	'04/02/10	0.3 FPC CONN E/O HSG ASSY GOLD PLT H=1.3 -LEAD FREE-			
	30 OVER	±0.3	CHECKED BY	DATE	molex			
ANGULAR ±3 °		MSASAO	'04/02/10	DOCUMENT NO. SD-54809-038				
DRAFT WHERE APPLICABLE MUST REMAIN WITHIN DIMENSIONS		APPROVED BY		MATERIAL NO.		THIS DRAWING CONTAINS INFORMATION THAT IS PROPRIETARY TO MOLEX INCORPORATED AND SHOULD NOT BE USED WITHOUT WRITTEN PERMISSION		
		MSASAO		'04/02/10				

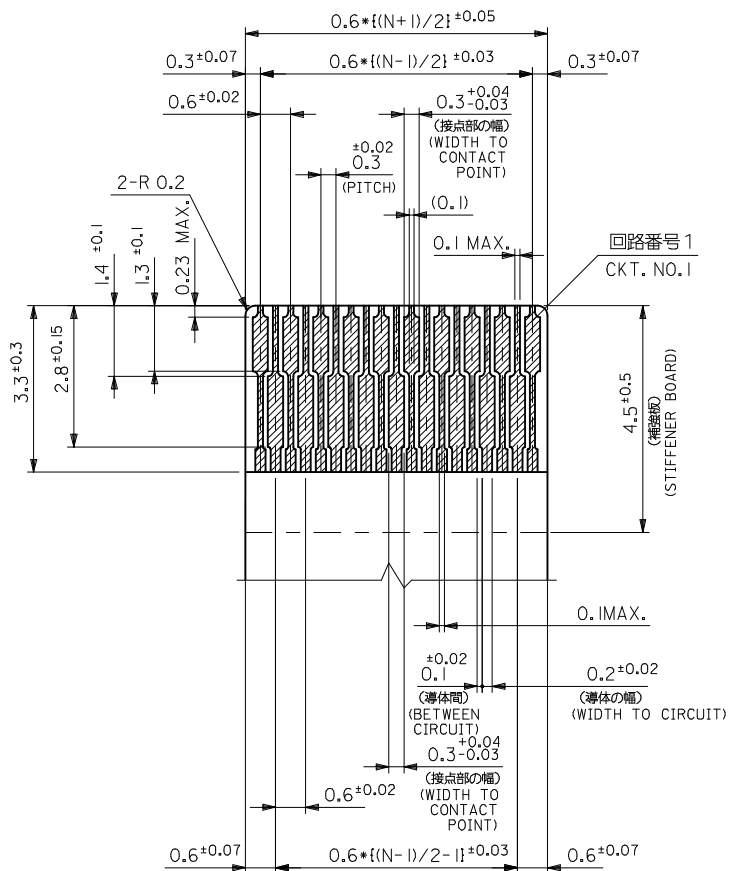


参考基板レイアウト
RECOMMENDED P.C.BOARD
PATTERN DIM. (REF.)
(マウント面)
(MOUNTING SIDE)

REVISED EC NO: J2014-1476 DRWN: YOSHI I 01 2014/03/31 CHKD: YKOBAYASHI 02 2014/03/31 APPR: YNOGAWA 2014/04/17	GENERAL TOLERANCES (UNLESS SPECIFIED)		DIMENSION STYLE MM ONLY		54809-***69 SCALE --- DESIGN UNITS METRIC		MODEL NO. ◎ THIRD ANGLE PROJECTION	
	10 UNDER	± 0.2	DRAWN BY	DATE	TITLE			
	10 OVER 30 UNDER	± 0.25	TUENO	'04/02/10	0.3 FPC CONN E/O HSG ASSY GOLD PLT H=1.3 -LEAD FREE-			
	30 OVER	± 0.3	CHECKED BY	DATE	MSASAO '04/02/10 APPROVED BY DATE MSASAO '04/02/10			
ANGULAR	± --- °	DRAFT WHERE APPLICABLE MUST REMAIN WITHIN DIMENSIONS		MATERIAL NO. SEE SHEET 1		DOCUMENT NO. SD-54809-038		SHEET NO. 2 OF 3
			SIZE A3	THIS DRAWING CONTAINS INFORMATION THAT IS PROPRIETARY TO MOLEX INCORPORATED AND SHOULD NOT BE USED WITHOUT WRITTEN PERMISSION				



適合FPC推奨寸法 1
 APPLICABLE FPC
 RECOMMENDED DIM. NO.1
 (仕上がり厚さ: 0.2 ± 0.03)
 (THICKNESS : 0.2 ± 0.03)



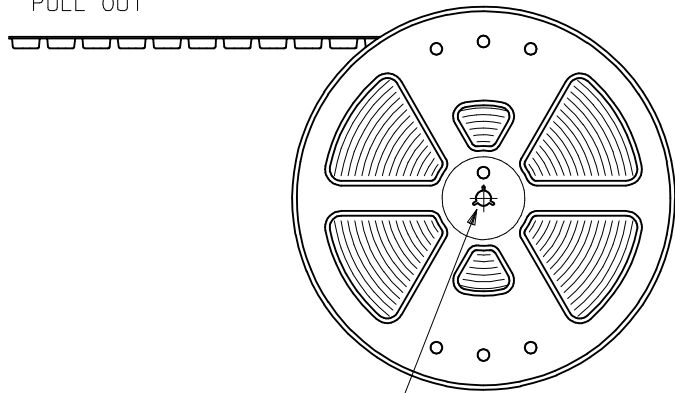
適合FPC推奨寸法 2
 APPLICABLE FPC
 RECOMMENDED DIM. NO.2
 (仕上がり厚さ: 0.2 ± 0.03)
 (THICKNESS : 0.2 ± 0.03)

FPCについて:
 打抜き方向は導体側から補強板側を推奨致します。
 補強フィルム材質はポリイミドを推奨致します。
 接着剤は熱硬化接着剤を推奨致します。

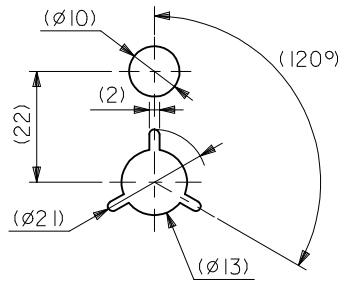
ABOUT FPC :
 RECOMMENDED PUNCHER DIRECTION :
 FROM CONDUCTOR SIDE TO STIFFENER BOARD SIDE.
 RECOMMENDED MATERIAL :
 STIFFENER FILM : POLYIMIDE
 BONDING AGENT : THERMOSETTING BONDING AGENT

REVISED EC NO: J2014-1476 DRWN:AYOSHI 2014/03/31 CHKD:YKOBAYASHI 2014/03/31 APPR:YNOGAWA 2014/04/17	GENERAL TOLERANCES (UNLESS SPECIFIED)		DIMENSION STYLE MM ONLY		54809-***69	MODEL NO.
	10 UNDER	± 0.2	DRAWN BY	DATE	SCALE ---	DESIGN UNITS METRIC
	10 OVER 30 UNDER	± 0.25	YSAKIYAM	'04/06/15	THIRD ANGLE PROJECTION	
	30 OVER	± 0.3	CHECKED BY	DATE	TITLE	
	ANGULAR ± 3 °	MSASAO	'04/06/15	0.3 FPC CONN E/O HSG ASSY GOLD PLT H=1.3 -LEAD FREE-		
	DRAFT WHERE APPLICABLE MUST REMAIN WITHIN DIMENSIONS	MATERIAL NO.	SEE SHEET 1		DOCUMENT NO. SD-54809-038	
		SIZE A3	THIS DRAWING CONTAINS INFORMATION THAT IS PROPRIETARY TO MOLEX INCORPORATED AND SHOULD NOT BE USED WITHOUT WRITTEN PERMISSION			

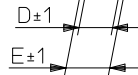
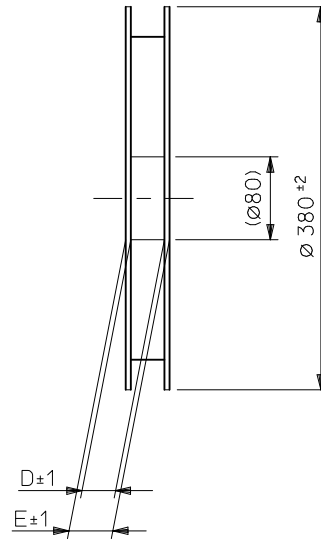
引き出し方向
PULL OUT



"F"

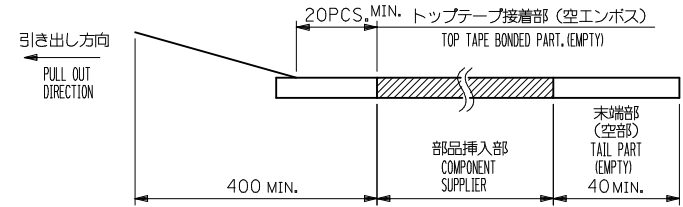


DETAIL "F"

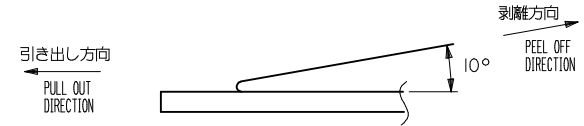


注記 NOTES

- 製品詳細寸法については、図面SD-54809-038を参照下さい。
RE DETAILED DIMENSION, SEE SD-54809-038.
- 梱包数量：2500個/リール
NUMBER OF CONNECTORS : 2500PCS/REEL
- リードテープ長さ LEAD TAPE LENGTH

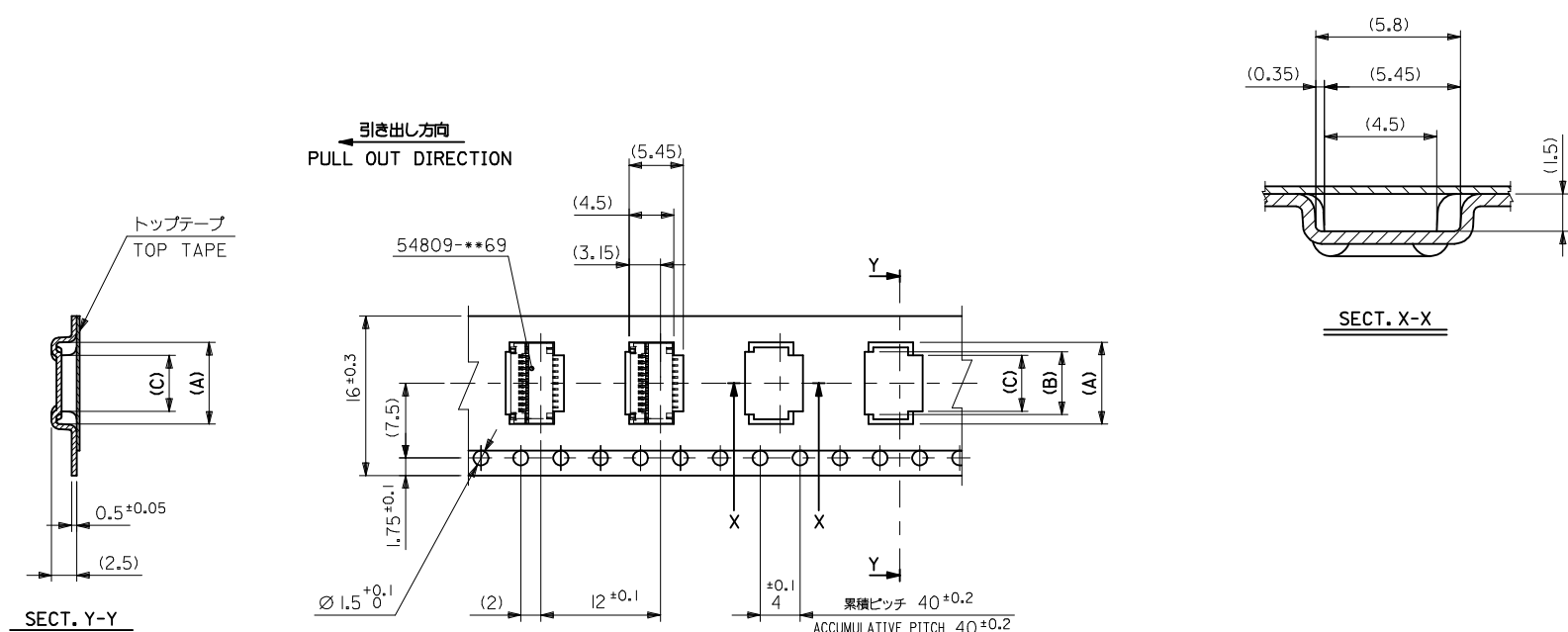


- トップテープの剥離強度：0.1N~1.3N (10gf~130gf)
(剥離方向は下図参照)
尚、本規格値は出荷時に適用。(但し、輸送時に剥離が発生しないこと。)
PEELING OFF FORCE OF TOP TAPE : 0.1N~1.3N(10gf~130gf)
(PEELING DIRECTION AS SHOWN IN FOLLOWING FIG.)
THIS REQUIREMENT SHOULD BE APPLIED AT SHIPMENT.
PEEL OFF SHOULD NOT BE ALLOWED, DURING TRANSPORTATION.



- 材料 (MATERIAL)
キャリアテープ (CARRIER TAPE) : ポリプロピレン (POLYPROPYLENE)
トップテープ (TOP TAPE) : PET, PE, PEF
リール (REEL) : ポリスチレン (PS) <リサイクル材を含む>
POLYSTYRENE(PS) <RECYCLE MATERIAL CONTAINED>
- 本製品は 54809-**95 の鉛フリー品である。
THIS PRODUCT IS LEAD FREE OF 54809-**95.

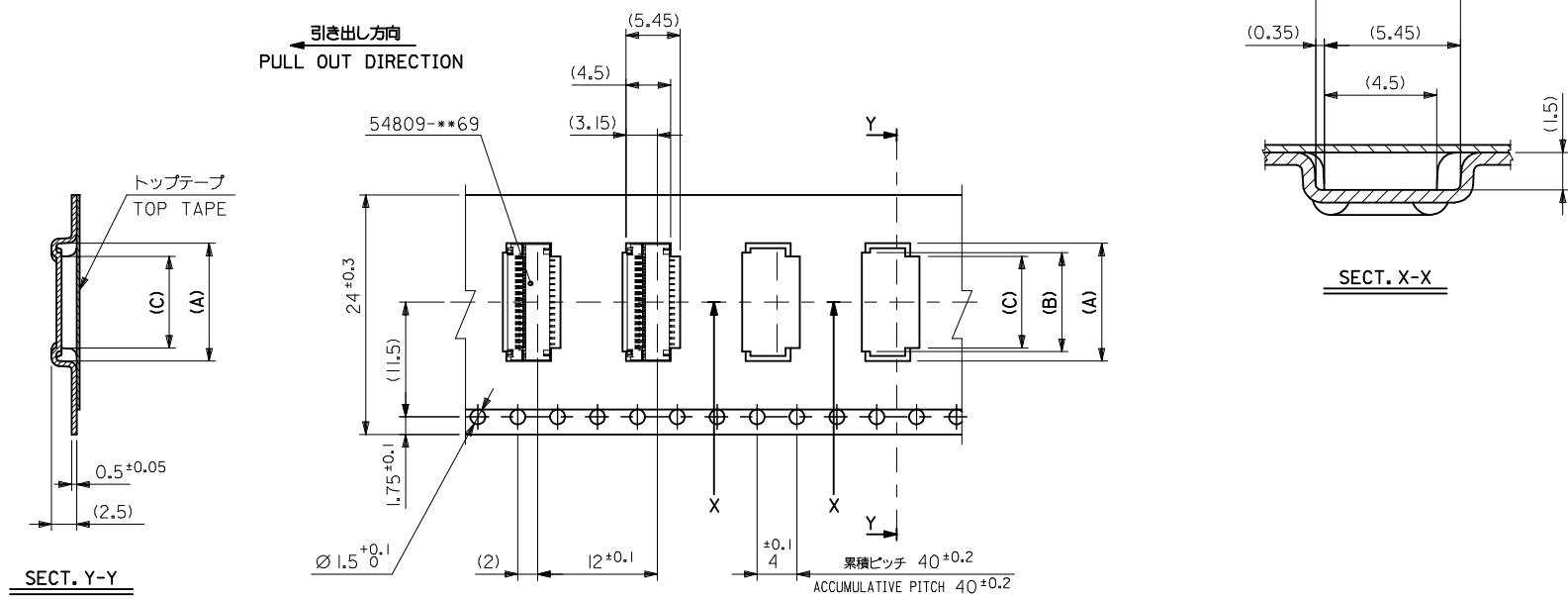
REVISED EC NO: J2014-1476 DRWN:AYOSHI 01 2014/03/31 CHKD:YKOBAYASHI 02 2014/03/31 APPR:YNOGAWA 2014/04/17	GENERAL TOLERANCES (UNLESS SPECIFIED)		DIMENSION STYLE MM ONLY		54809-**75		MODEL NO.	
	10 UNDER ±0.2		DRAWN BY TUENO DATE '04/02/10		SCALE ---	DESIGN UNITS METRIC	THIRD ANGLE PROJECTION	
	10 OVER 30 UNDER ±0.25		CHECKED BY MSASAO DATE '04/02/10		TITLE EMBSTP PKG FOR 0.3 FPC CONN E/O GOLD PLT H=1.3 -LEAD FREE- molex			
	30 OVER ±0.3		APPROVED BY MSASAO DATE '04/02/10					
ANGULAR ±3 °		MATERIAL NO. SEE CHART		DOCUMENT NO. SD-54809-039		SHEET NO. 1 OF 4		
DRAFT WHERE APPLICABLE MUST REMAIN WITHIN DIMENSIONS		SIZE A3		THIS DRAWING CONTAINS INFORMATION THAT IS PROPRIETARY TO MOLEX INCORPORATED AND SHOULD NOT BE USED WITHOUT WRITTEN PERMISSION				



16mm幅キャリアテープ
16mm WIDTH CARRIER TAPE

16	21.4	17.4	6.2	6.9	8.8	54809-2175	21
キャリアテープ幅 CARRIER TAPE WIDTH	E	D	C	B	A	MATERIAL NO.	種数 CKT.

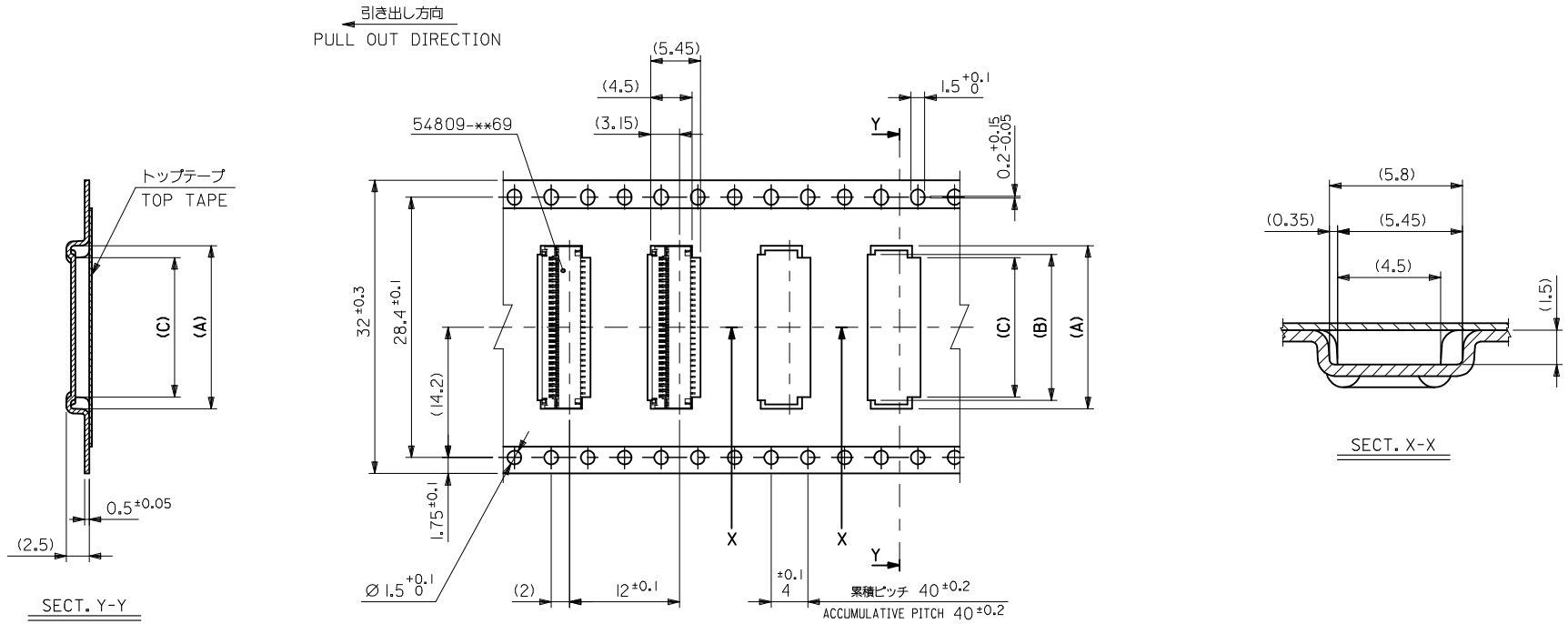
REVISED EC NO: J2014-1476 DRWN: AYOSHI 2014/03/31 CHKD: YKOBAYASHI 02 2014/03/31 APPR: YNOGAWA 2014/04/17	DESCRIPTION REV	GENERAL TOLERANCES (UNLESS SPECIFIED)		DIMENSION STYLE MM ONLY		54809-***75 SCALE --- DESIGN UNITS METRIC		MODEL NO.		
		10 UNDER ±0.2	10 OVER 30 UNDER ±0.25	DRAWN BY TUENO	DATE '04/02/10	TITLE EMBSTP PKG FOR 0.3 FPC CONN E/O GOLD PLT H=1.3 -LEAD FREE-				
		30 OVER ±0.3	ANGULAR ±3 °	CHECKED BY MSASAO	DATE '04/02/10	molex				
		DRAFT WHERE APPLICABLE MUST REMAIN WITHIN DIMENSIONS		APPROVED BY MSASAO	DATE '04/02/10	MATERIAL NO. SEE CHRAT	DOCUMENT NO. SD-54809-039	SHEET NO. 2 OF 4		



24mm幅キャリアテープ
24mm WIDTH CARRIER TAPE

24	29.4	25.4	11.6	12.3	14.2	54809-3975	39
キャリアテープ幅 CARRIER TAPE WIDTH	E	D	C	B	A	54809-3775	37
						MATERIAL NO.	種数 CKT.

REVISED EC NO: J2014-1476 DRWN: YOSHII 2014/03/31 CHKD: YKOBAYASHI 02 2014/03/31 APPR: YNOGAWA 2014/04/17	DESCRIPTION	GENERAL TOLERANCES (UNLESS SPECIFIED)	DIMENSION STYLE	SCALE	DESIGN UNITS	MODEL NO.
	REV	10 UNDER ±0.2	MM ONLY	---	METRIC	54809-**-75
		10 OVER 30 UNDER ±0.25				THIRD ANGLE PROJECTION
		30 OVER ±0.3				EMBSTP PKG FOR 0.3 FPC CONN E/O GOLD PLT H=1.3 -LEAD FREE-
		ANGULAR ±3 °				molex
		DRAFT WHERE APPLICABLE MUST REMAIN WITHIN DIMENSIONS				DOCUMENT NO. SD-54809-039
			SIZE A3	THIS DRAWING CONTAINS INFORMATION THAT IS PROPRIETARY TO MOLEX INCORPORATED AND SHOULD NOT BE USED WITHOUT WRITTEN PERMISSION		SHEET NO. 3 OF 4



32mm幅キャリアテープ
32mm WIDTH CARRIER TAPE

32	37.4	33.4	15.2	15.9	17.8	54809-5175	51
キャリアテープ幅 CARRIER TAPE WIDTH	E	D	C	B	A	MATERIAL NO.	極致 CIRCUITS

54809-***75 MODEL NO.
THIRD ANGLE PROJECTION

REVISED EC NO: J2014-1476 DRWN: YOSHI I 2014/03/31 CHKD: YKOBAYASHI 02 2014/03/31 APPR: YNOGAWA 2014/04/17	GENERAL TOLERANCES (UNLESS SPECIFIED)	
	10 UNDER	±0.2
	10 OVER 30 UNDER	±0.25
	30 OVER	±0.3
DESCRIPTION	ANGULAR	±3 °
REV	DRAFT WHERE APPLICABLE MUST REMAIN WITHIN DIMENSIONS	

DIMENSION STYLE MM ONLY	
DRAWN BY TUENO	DATE '04/02/10
CHECKED BY MSASAO	DATE '04/02/10
APPROVED BY MSASAO	DATE '04/02/10
MATERIAL NO. SEE CHART	
SIZE A3	THIS DRAWING CONTAINS INFORMATION THAT IS PROPRIETARY TO MOLEX INCORPORATED AND SHOULD NOT BE USED WITHOUT WRITTEN PERMISSION

SCALE ---		DESIGN UNITS METRIC	TITLE EMBSTP PKG FOR 0.3 FPC CONN E/O GOLD PLT H=1.3 -LEAD FREE-
DOCUMENT NO. SD-54809-039		SHEET NO. 4 OF 4	