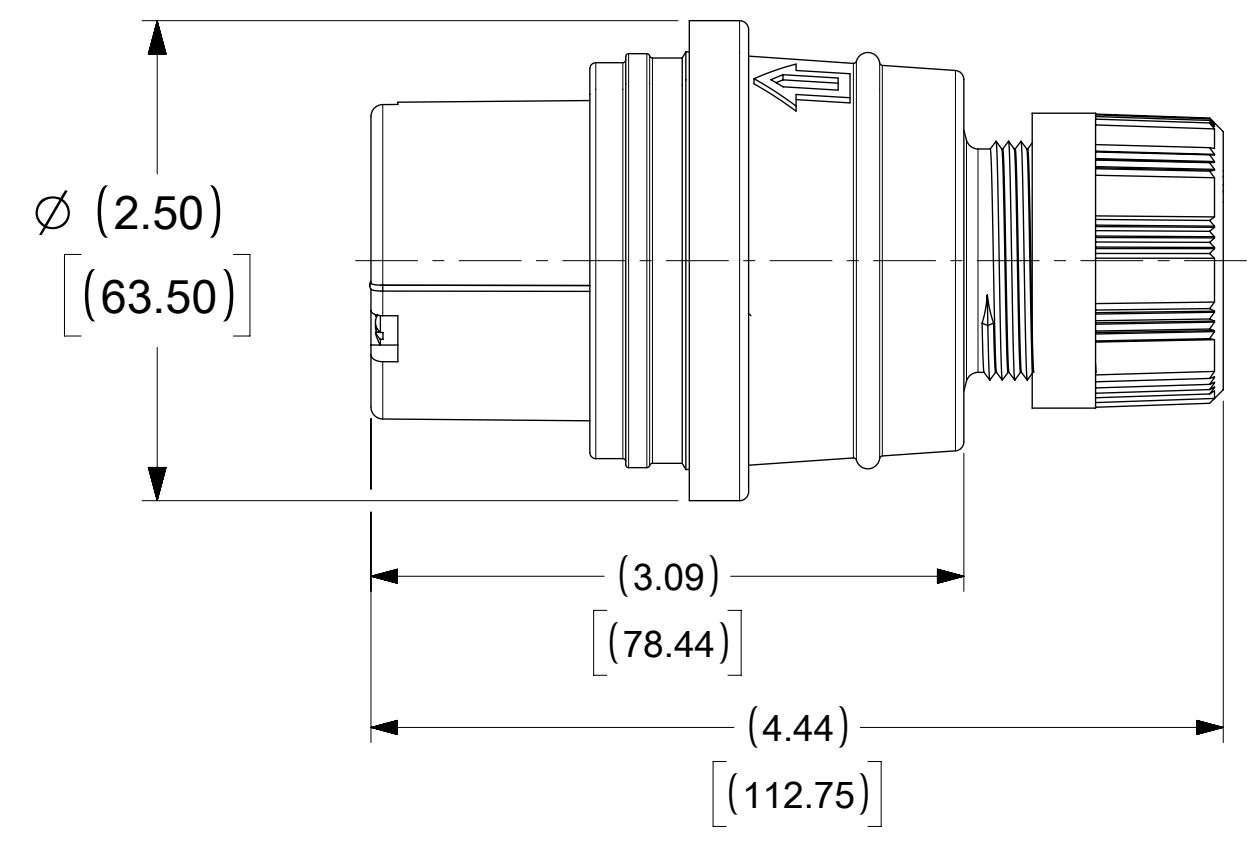
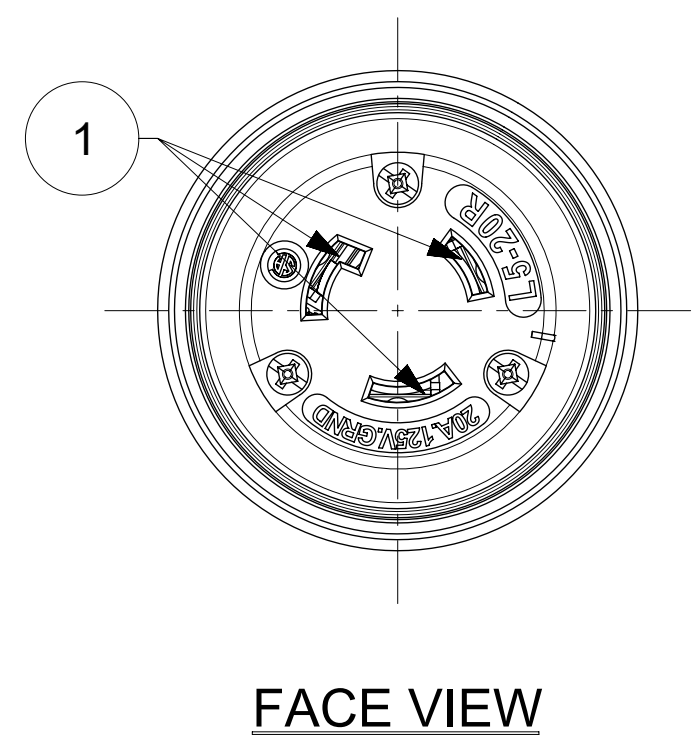
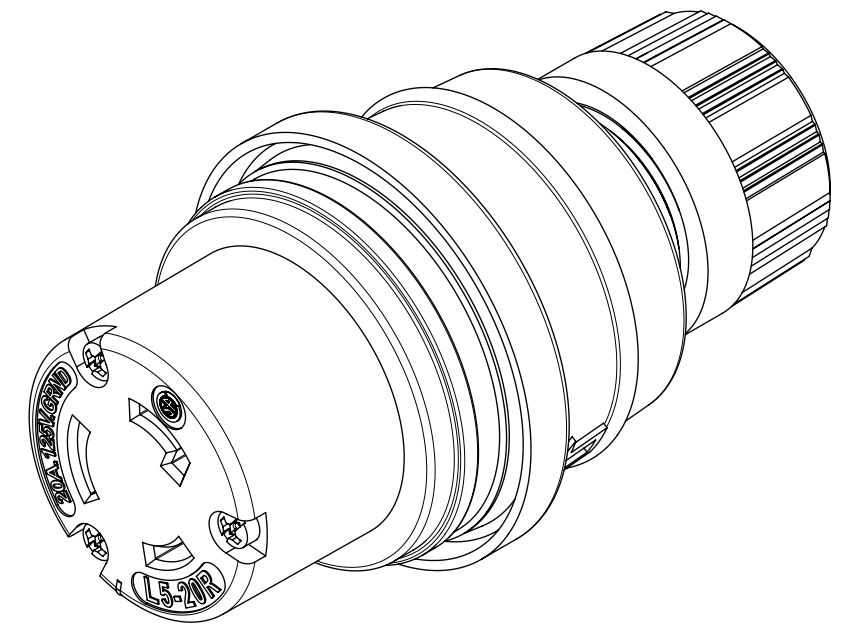
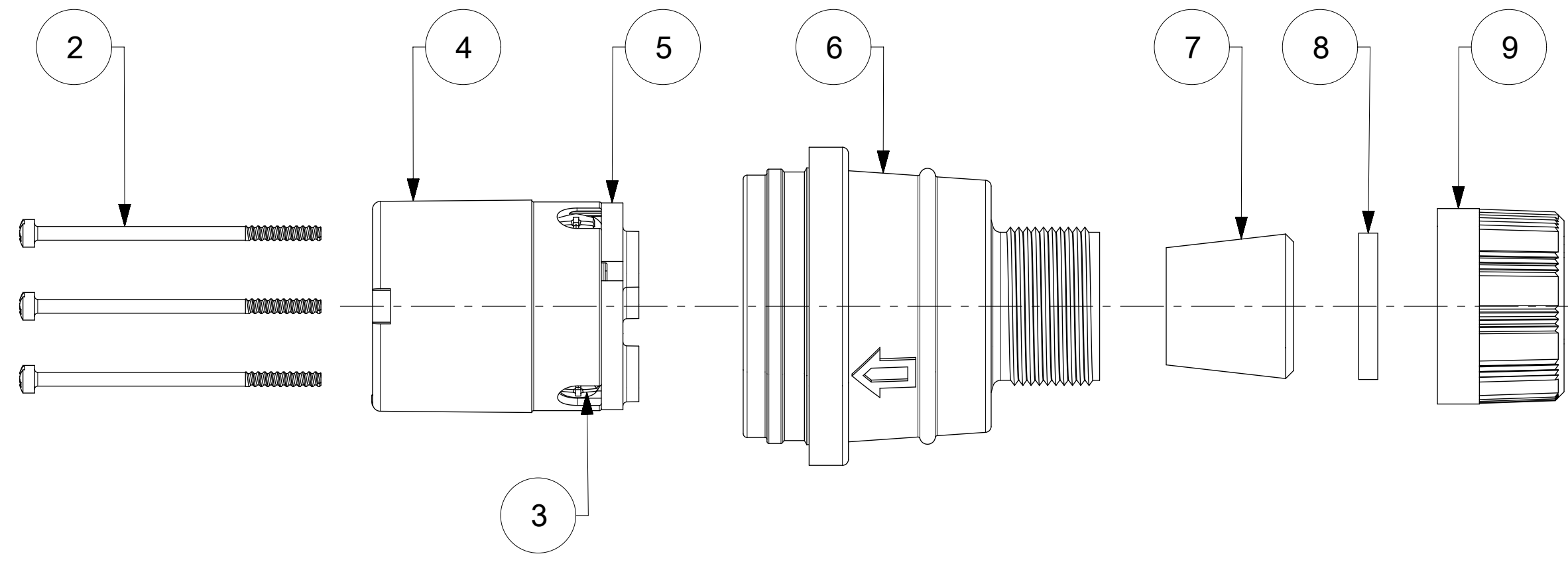


ORDER NO.	WOODHEAD NO.	COLOR
130147-0250	27W47MB-P	YELLOW



ITEM NO.	DESCRIPTIONS	MATERIAL	QTY.
1	BLADE	BRASS, NICKEL PLATED	3
2	RETAINING SCREWS	STAINLESS STEEL	3
3	CLAMP AND TERMINAL SCREW ASSY	BRASS, ZINC PLATED	3
4	INSERT	NYLON	1
5	TERMINAL COVER	POLYCARBONATE	1
6	HOUSING	SILICON WITH NYLON THREAD	1
7	GROMMET	RUBBER	1
8	FRICTION RING	NYLON	1
9	COMPRESSION NUT	NYLON	1

THIS DRAWING CONTAINS INFORMATION THAT IS PROPRIETARY TO MOLEX ELECTRONIC TECHNOLOGIES, LLC AND SHOULD NOT BE USED WITHOUT WRITTEN PERMISSION			
DIMENSION UNITS: INCH[MM]		SCALE: NTS	
GENERAL TOLERANCES (UNLESS SPECIFIED)		CURRENT REV DESC: RELEASED	
4 PLACES ±	MM	INCH	EC NO: 614215 DRWN: DSOPPIN 2018/12/14 CHK'D: DNGUYEN62 2019/03/29 APPR: HKNEELAND 2019/03/30
3 PLACES ±			
2 PLACES ±			INITIAL REVISION: DRWN: DSOPPIN 2018/12/14 APPR: HKNEELAND 2019/03/30
1 PLACE ±			
0 PLACES ±			DOCUMENT NUMBER: 1301470250
ANGULAR TOL ± °			DOC TYPE: PSD DOC PART: 000 REVISION: A
DRAFT WHERE APPLICABLE MUST REMAIN WITHIN DIMENSIONS	THIRD ANGLE PROJECTION	DRAWING: C-SIZE	MATERIAL NUMBER: SEE TABLE CUSTOMER: GENERAL MARKET SHEET NUMBER: 1 OF 1